



I66, I66B

Advanced reader for
proximity key

090020415



IMQ-SISTEMI DI SICUREZZA

IT08020000001624



FOREWORD

FOR INSTALLERS:

Please follow carefully the specifications about electric and security systems realization further to the manufacturer's prescriptions indicated in the manual provided.

Provide the user the necessary indication for use and system's limitations, specifying that there exist precise specifications and different safety performance levels that should be proportioned to the user needs. Have the user read carefully the instructions provided in this document.

FOR USERS:

Carefully check the system functionality at regular intervals making sure all enabling and disabling operations were made correctly.

Have skilled personnel make the periodic system's maintenance. Contact the installer to verify correct system operation in case its conditions have changed (e.g.: variations in the areas to protect due to extension, change of the access modes, etc.)

This device has been designed, assembled and tested with the maximum care, adopting control procedures in accordance with the laws in force. The full correspondence to the functional characteristics is given exclusively when it is used for the purpose it was projected for, which is as follows:

Advanced reader for proximity key

Any use other than the one mentioned above has not been forecast and therefore it is not possible to guarantee the correct functioning of the device. Similarly, any other use of this technical manual other than the one it has been compiled for - that is: to illustrate the devices technical features and operating mode - is expressly prohibited.

The manufacturing process is carefully controlled in order to prevent defaults and bad functioning. Nevertheless, an extremely low percentage of the components used is subjected to faults just as any other electronic or mechanic product.

As this item is meant to protect both property and people, we invite the user to proportion the level of protection that the system offers to the actual risk (also taking into account the possibility that the system was operated in a degraded manner because of faults and the like), as well reminding that there are precise laws for the design and assemblage of the systems destined to these kind of applications.

The system's operator is hereby advised to see regularly to the periodic maintenance of the system, at least in accordance with the provisions of current legislation, as well as to carry out checks on the correct running of said system on as regular a basis as the risk involved requires, with particular reference to the control unit, sensors, sounders, dialler(s) and any other device connected. The user must let the installer know how well the system seems to be operating, based on the results of periodic checks, without delay.

Design, installation and servicing of systems which include this product, should be made by skilled staff with the necessary knowledge to operate in safe conditions in order to prevent accidents. These systems' installation must be made in accordance with the laws in force. Some equipment's inner parts are connected to electric main and therefore electrocution may occur if servicing was made before switching off the main and emergency power. Some products incorporate rechargeable or non rechargeable batteries as emergency power supply. Their wrong connection may damage the product, properties and the operator's safety (burst and fire).

DISPOSAL INSTRUCTIONS - USER INFORMATION



According to Directive 2012/19/EU on the Waste of Electric and Electronic Equipment (WEEE), it is here specified that this Electrical-Electromechanical Device started to be commercialized after 13th August 2005, and it shall be disposed of separately from ordinary waste products.

IT08020000001624



1. GENERALS

I66 proximity key reader has been designed as natural evolution of the I6 reader. As this one, it allows acknowledging the M4 key code without electrical contact: only move the M4 key to the reader sensitive area.

The M4 learning process is completely managed at microprocessor level. The correct operation to detect the pin with valid code is to move the plug to the middle of the reader sensitive part (X-shaped) dimly lit to allow proper collimation. Once the key has been positioned, the sensitive part changes to full light.

The reader features four LEDs to display the control unit or system operation. Among these, the LED on bottom right normally provides indication on the system arming status; if you cut a proper jumper on reader side, this LED will show system arming status only when the key is moved close to the reader.

I66 reader conformation allows insertion into the flanges of the BTICINO-MAGIC series; for insertion into the flanges of other series, other adapters are provided:

I8TLGH for TICINO LIGHT series,
(I8TLGHB white, I8TLGHG, light grey).

I8GWPB for GEWISS PLAY BUS series,

I8VIMP for VIMAR PLANA series (I8VIMPB PLANA WHITE).

I8VIMEX for Vimar EIKON series (I8VIMEXG light grey).

I8TAXO for BTICINO AXOLUTE series (I8TAXOG white grey).

I8LEV for Legrand Vela series

I8LEVB for Legrand Vela white series.


I8TMGC for BTICINO dark grey.

White version I66B is available upon request.

Reader connection line must be ended with a line balancing resistor (1000 Ω) as shown in the electric diagram below.

Note: only a reader with firmware version 1.5 or higher can be wired to compatible control devices and control units programmed to operate according to EN50131-3.

2. FEATURES

Model:	I66 - I66B	Connections:	terminal board
Environm. class:	III	Max length:	200 m
Grade:	2	Operating temperatures:	-25 / +55°C certified by manufacturer. Environmental class III according to EN50131-5. 93% RH
Power voltage:	12V  (from 9 to 15V) 30 mA	Dimensions and weight:	L 21 x H 42 x D 46 mm, 18g
Indications:	four front LEDs	Compatible flange:	Ticino Magic; other flanges require suitable adapters
Wiring:	shielded cable 2 x 0,75 + 5 x 0,22 mm ² ; connect shield to power supply negative terminal on PROXY key/ keypad side	Parts supplied:	technical manual, 1000 Ω resistor

EU DECLARATION OF CONFORMITY

The product complies with current European EMC and LVD directives. The full text of the EU declaration of conformity is available at the following Internet address: elmospa.com – registration is quick and easy.

NOTE: a reader placed inside the recessed box must be protected against removal and connection cables tampering with proper tamper protection.

In case you are installing two readers inside the same 503 box, please comply to the following indications:

- Do not install two readers next to each other: leave a dummy module between the two.
- Use non-conductive plastic material plates; avoid using metal plates or plates composed of another conductive material.
- For Legrand series, the inserter with the adapter must be placed in the central hole of the socket boxes; it is possible to insert other components of the Legrand series in the two lateral holes.

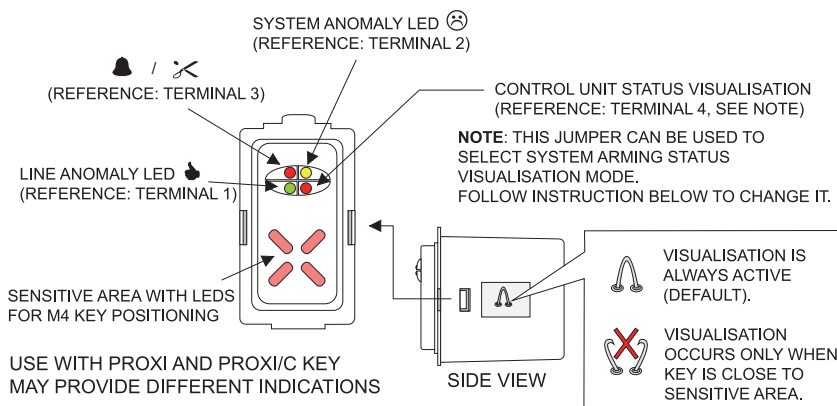
3. WIRINGS

3.1 Reader view

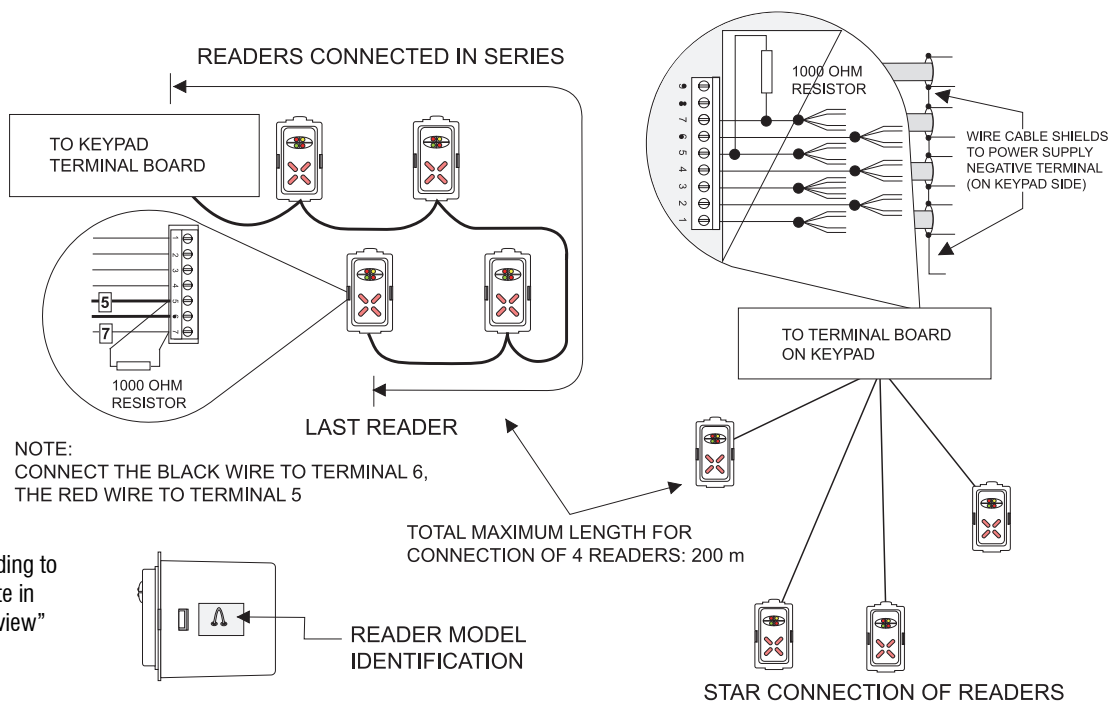
Note: using the reader with control units or keypads that can be programmed to operate according to EN50131-3 may provide different indications with different meanings.

Refer to the relevant manual.

Reader disconnection due to tamper (e.g. of the NIRVA keypad) causes a tamper general alarm within 100 s.



3.2 Example of standard connection with a NIRVA keypad



Note: for use according to EN50131-3, see note in paragraph "Reader view"

WARNING:
 REMOTE READERS MUST BE WIRED USING 2 x 0.75 + 5 x 0.22 mm² SHIELDED CABLE WITH SHIELD CONNECTED TO THE POWER SUPPLY UNIT ONLY AT KEYPAD OR READER SIDE.
 THE 1000-OHM END-OF-LINE RESISTOR MUST ALWAYS BE WIRED REGARDLESS OF THE NUMBER OF READERS CONNECTED AND OF THE CABLE LENGTH.