

EX-PTZ D-IR

EX PTZ camera with integrated IR illumination, 316L

DESCRIPTION

The EX-PTZ D-IR camera housing is a rugged corrosion proof dual head camera station designed for use in onshore, offshore, marine and heavy industrial environments. The combination of infrared illumination and day/night cameras facilitates 24/7 remote camera surveillance and analytics. The dual-head camera housing is not sold separately, it is only available in combination with a Siquira daylight camera module, such as the 33x zoom BC822v2H3-AS, 22x zoom 4K BC980H2-AS, or 4x zoom BC840v2-M04-AS, and an interface/cable tail (INT-RJ, INT-SM or INT-MM)

FEATURES

Corrosion protected 316L stainless-steel

ATEX, IECEx, UKEX and INMETRO certified

360° Continuous pan and +/-90° tilt

Integrated 850 nm IR-LED illuminator

34° beam pattern for long distances

IP66 / IP67

Integrated power supply (24, 115 or 230 Vac)

Integrated heater and wiper

Electro-polished 316L sun-shields

Low maintenance



Description

Day-Night camera

One of the tubes of the dual head camera is fitted with Siquira's 33x zoom ip camera, the bc822v2H3-AS, the 22x zoom 4K camera BC980H2-AS, or 4x zoom BC840v2-M04-AS. This part is standard equipped with a wiper and prepared for a washer installation. A 10 litre pressurized washer tank can be obtained separately.

IR-Illumination

The other tube of the dual-head is fitted with a 14-LED infrared illuminator. This powerful IR-LED array gives a circular beam pattern of 15 degrees, enough to observe a person at long distances.

Corrosion free 316L construction

The dual head PTZ camera is made of corrosion proof 316L stainless steel suited to operate in salty or sulfur rich environments.

ATEX, IECEX, UKEX and INMETRO certified

The EX-PTZ is fully certified for hazardous areas zone 1 and 2 for gas and zone 21 and 22 for dust for Europe (ATEX), world-wide (IECEX), United kingdom (UKEX), and for Brazil (INMETRO). The certification includes the optical camera modules (BC822v2H3-AS, BC980H2 or BC840v2-M04-AS).

Integrated heater

The camera is fitted with a thermal controlled heater. It regulates the humidity inside the camera and prevents ice or condensation forming on the optical window.

Mechanical	
Certification	ATEX; IECEX, INMETRO, UKEX
Rating	Ex db op is op pr IIC T5 Gb -40°C Tamb +40°C Ex tb op is III C T100°C Db -40°C Tamb +40°C Ex db op is op pr IIB T4 Gb -40°C Tamb +60°C Ex tb op is III C T135°C Db -40°C Tamb +60°C
Ingress protection rating	IP66 / IP67
Impact rating (casing)	IK10
Body material	Electro-polished 316L stainless steel
Window	High-Grade Tempered Optical Glass
Camera window size	diameter 75 mm; 10 mm thick
Sunshield	2x, Standard
Rotation	360° Continuous rotation
Tilt angle	+90° to -90°
Variable speed	up to 36°/sec pan and 18°/sec tilt (peak)
Drive mechanism	Direct drive
Backlash	0.1°
Preset accuracy	0.04°
Operating temperature (Tamb)	-20 °C to +60 °C (-4 °F to +140 °F)
Relative humidity	5% to 100%
Cable entry	1x M25x1.5
Weight	43.5 kg

Electrical			
IR illuminator	14x SMD Led illuminator		
Wavelength	850nm		
Beam-pattern	34° circular		
Max distance	150m		
Power rating	EX-PTZ24D-IR	EX-PTZ115D-IR	EX-PTZ230D-IR
	24 Vac +/-10%	115 Vac +/-10%	230 Vac +/-10%
	50/60Hz	50/60Hz	50/60Hz
Max power consumption	120W	120W	120W
Internal Heater	Standard		
- Heater control	On:12°C +/- 4°C; Off: 20°C +/- 3°C		
Integrated wiper	Standard on the optical window		

Ordering information	
EX-PTZ24D-IR	EX PTZ camera with integrated IR illumination, 316L 24VAC
EX-PTZ115D-IR	EX PTZ camera with integrated IR illumination, 316L 115VAC
EX-PTZ230D-IR	EX PTZ camera with integrated IR illumination, 316L 230VAC

Maintenance kits	
EX-MK PTZ	Maintenance kit EX PTZ camera: O-Ring, screws, desiccant bags
EX/SA-Wiper	Replacement for Stainless steel wiper (complete assembly)

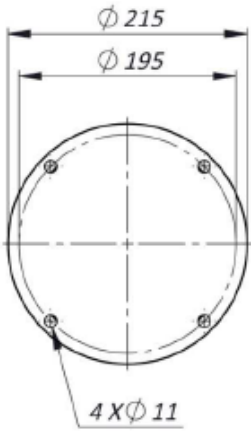
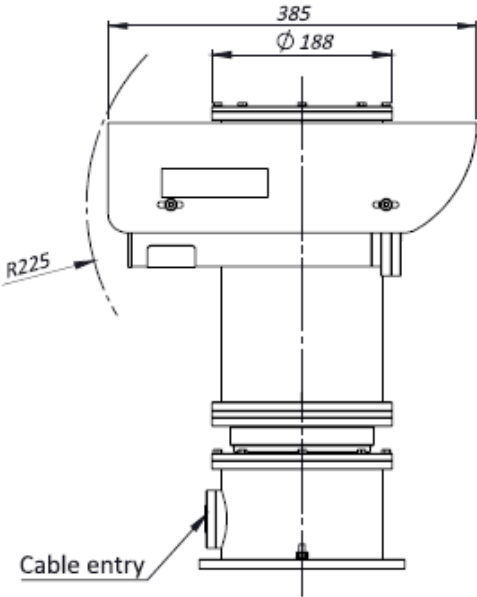
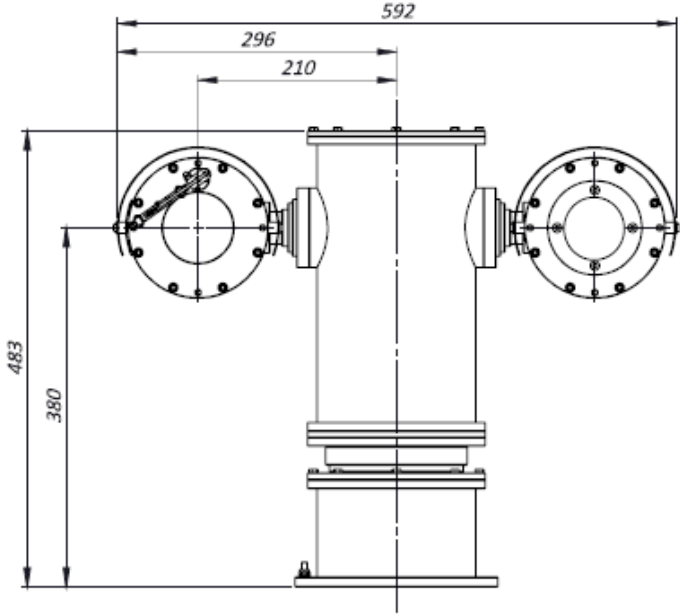
Housing	Optical camera			Thermal camera		Interface					
	BC822v2H3-AS	BC980H2-AS	BC840v2-M04-AS	TC(R1) ² -336	TC(R1) ² -640	INT-RJ	INT-RJ5 INT-RJ10	INT-SM	INT-SM5 INT-SM10	INT-MM	INT-MM5 INT-MM10
EX-FIX24 ¹	✓	✓	✓			✓	✓	✓	✓	✓	✓
EX-FIX24W	✓	✓	✓			✓	✓	✓	✓	✓	✓
EX-FIX24T				✓	✓	✓	✓	✓	✓	✓	✓
EX-PTZ24	✓	✓	✓			✓	✓	✓	✓	✓	✓
EX-PTZ24T				✓	✓	✓	✓	✓	✓	✓	✓
EX-PTZ24D	✓	✓	✓	✓	✓	✓	✓	✓ ³	✓ ³	✓ ³	✓ ³
EX-PTZ24D-IR	✓	✓	✓			✓	✓	✓	✓	✓	✓

¹: This table also applies to the EX cameras versions for 115 Vac and 230 Vac.

²: R1 version is needed for hot-spot detection.

³: Special arrangements needed. Please contact TKH Security.

DIMENSIONS IN MM



RELATED



Siqura BC822v2H3-AS

Assembly 33x zoom IP camera, 3MP, AF, Day/night, H.265/H.264



Siqura INT-RJ / INT-SM / INT-MM

Network Interface and cable tail of the Siqura SA or EX cameras



Siqura EX-JB01

316L Ex e termination box for EX cameras



Siqura EX WP10

10 litres pressurized water tank in 316L cabinet
