

# PSR, PA

DC power adaptors for (PTZ) cameras and PoE switches

## DESCRIPTION

Siqura offers a complete range of power adapters to power the Siqura range, including camera, network switch and recorder/encoder. The power adapters are provided with various input/output voltages in extreme temperatures to make installation quick and easy.

## FEATURES

Industrial Operating Temperature up to -30 ~70C

Power protection: Short circuit/overload/over voltage

LED Indicator for Power ON



#### PA60-12

Input Voltage	110-240VAC
Output Voltage	12VDC
MAX. Output Current	5A
Rated Power	60W
Connector	2-wire ferrules
Working Temperature	-30 ~ +70
Working Humidity	20% ~ 90% RH non-condensing
Dimension	125x50x31.5mm (L*W*H)
Energy Efficiency	Level VI
Over Voltage Protection	105 - 135% rated output voltage (Protection Type:Shutdown o/p voltage, re-power on to recover)
Over Temperature Protection	Shutdown o/p voltage, re-power on to recover

#### PA90-24

Input Voltage	110-240VAC
Output Voltage	24VDC
MAX. Output Current	3.75A
Rated Power	90W
Connector	2-wire ferrules
Working Temperature	-30 ~ +70
Working Humidity	20% ~ 90% RH non-condensing
Dimension	145x60x32mm (L*W*H)
Energy Efficiency	Level VI
Over Voltage Protection	105 - 135% rated output voltage (Protection Type:Shutdown o/p voltage, re-power on to recover)
Over Temperature Protection	Shutdown o/p voltage, re-power on to recover

#### PSR-12 DC v2

Casing	Din-rail housing
Input Voltage	85-264 Vac 47-63 Hz
Output Voltage	12VDC
Max. Output Current	2A
Rated Power	24W (12W ext. Temp. range)
Mounting	DIN-RAIL
Working Temperature	-30 to +50
Extended Temperature Range	+50 to +70 (12W power derating)
Working Humidity	<95% RH non-condensing
Storage Temperature	-40 ~ +85
Dimension	92.66 x 35.00 x 58.00 mm
Weight	115 g

#### PSR-48 DC-40W

Input Voltage	85-264 Vac 47-63 Hz
---------------	---------------------

# Specs



PSR-48 DC-40W	
Output Voltage	48VDC
Voltage Adj. Range	48-56V
Output Current	0-0.83A
Rated Power	40W
Mounting	DIN-RAIL
Working Temperature	-20 ~ +70
Working Humidity	20% - 90% RH non-condensing
Storage Temperature	-40 ~ +85
Dimension	40x90x100mm (L*W*H)

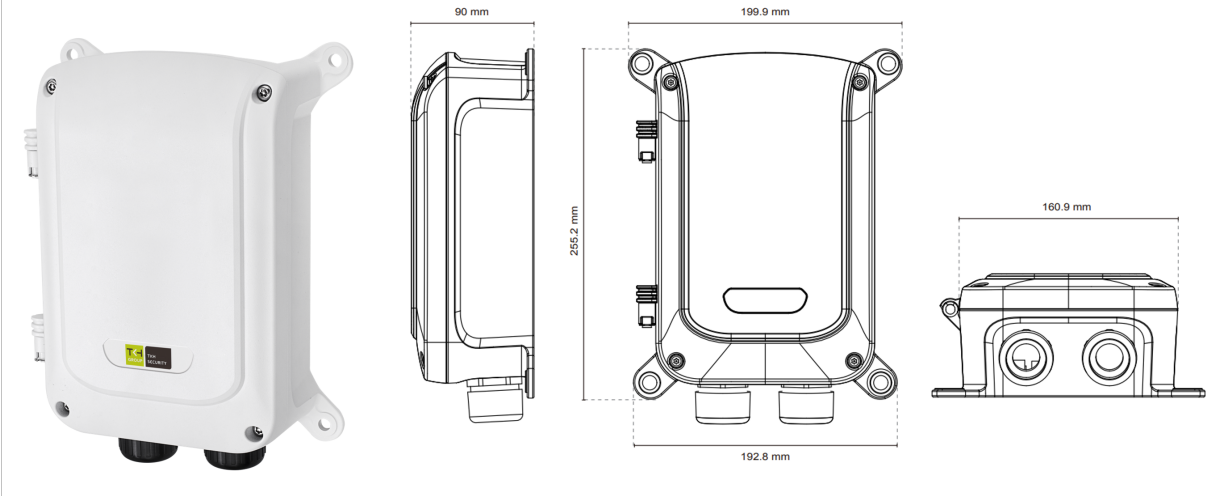
PSR-48 DC-480W V2	
Input Voltage	90-264 Vac 47-63 Hz
Output Voltage	48VDC
Voltage Adj. Range	48-55V
Max. Output Current	10A
Rated Power	480W
Mounting	DIN-RAIL
Working Temperature	-40 ~ +70
Working Humidity	20% - 90% RH non-condensing
Storage Temperature	-40 ~ +85
Storage Humidity	10% - 95% RH non-condensing
Dimension	131.5 x 48.0 x 125.0 mm

PA144-JB24	
Material	Aluminum
Input Power	115/230VAC
Output Power	24VAC/6A
Cable Gland	PF 3/4"x1 + M25x1
Operating temperature	-40 °C to +60 °C (-40 °F to +140 °F)
Operating Humidity	10% to 90%, non-condensing
IP Rating	IP67
IK Rating	IK10
Dimension	255.2x199.9x90mm
Weight	3.35kg

Order Information	
PA60-12	PSU, 100-240Vac, 12VDC, 5A, ferrules, indoor, ext. temp.
PA90-24	PSU, 100-240Vac, 24VDC, 3.2A, ferrules, indoor, ext. temp.
PSR-12DC	Power supply, rail-mount, 85-265Vac, 12Vdc, 1.5A
PSR-48 DC-40W	Power supply, rail-mount, 85-264Vac, 48Vdc, 0.83A
PSR-48 DC-480W V2	Power supply, rail-mount, 90-264Vac, 48Vdc, 10A
PA144-JB24	Power supply, junction box, 115/230VAC, 24Vac, 6A

DIMENSION IN MM

PA144-JB24



PSR 12 DC V2 DIMENSIONS

