



SISTEMI PER  
TENDE DA SOLE E TAPPARELLE.

**G:B:D:**  
CREATIVE AUTOMATIONS

RUNNER M - RM

**230V** \*PRODOTTO DISPONIBILE  
ANCHE A 115 VAC



©XtravaganT - stock.adobe.com ▶



SISTEMI PER  
TENDE DA SOLE E TAPPARELLE.

**GIBIDI**  
CREATIVE AUTOMATIONS

## RUNNER M - RM

**230V**

\*PRODOTTO DISPONIBILE  
ANCHE A 115 VAC

La gamma di motori della serie M e RM (Radio Meccanici BIDIREZIONALI) è adatta ad un uso residenziale e commerciale.

Disponibile nei diametri 35-45-55 e con potenze che variano da 6 Nm a 120 Nm.

RUNNER RM può soddisfare ogni specifica esigenza per motorizzare tende e tapparelle. La ricevente radio integrata consente la programmazione e la gestione del motore mediante radiocomando.

### DATI TECNICI DI BASE

- Facile installazione e programmazione
- Fine corsa meccanici con regolazione progressiva
- Ricevitore interno 433,92 Mhz (serie RM)
- Testa con foro centrale Ø 12 mm per il montaggio nel cassetto monoblocco
- Cavo di collegamento lungo 2 m
- Per assali Ø 40, 43, 50, 56, 60, 70 e 78mm
- Dotato di uscita pulsante (serie RM)
- Compatibile con una vasta gamma di automazione GIBIDI (serie M)
- Compatibile con l'intera gamma di radiotelecomandi e automazione domestica FREE DOMUS (serie RM)
- Disponibile versione con manovra di soccorso



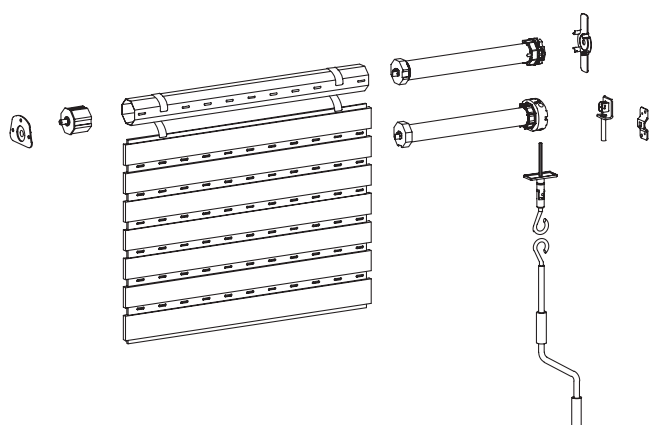
SCARICA  
PIÙ CONTENUTI



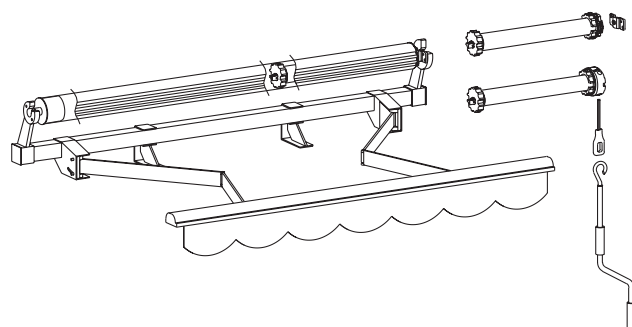
CARATTERISTICHE TECNICHE

| RUNNER          | Coppia nominale | Velocità nominale | Diametro tubo | Alimentazione | Potenza nominale | N° max. rotazioni | Grado protezione | Frequenza radio |
|-----------------|-----------------|-------------------|---------------|---------------|------------------|-------------------|------------------|-----------------|
| M35 6/28        | 6 Nm            | 28 Rpm            | 35 mm         | 230vac 50Hz   | 121 W            | 30                | IP44             | /               |
| M35 10/17       | 10 Nm           | 17 Rpm            | 35 mm         | 230vac 50Hz   | 121 W            | 30                | IP44             | /               |
| M45 10/26       | 10 Nm           | 26 Rpm            | 45 mm         | 230vac 50Hz   | 145 W            | 23                | IP44             | /               |
| M45 20/17       | 20 Nm           | 17 Rpm            | 45 mm         | 230vac 50Hz   | 145 W            | 23                | IP44             | /               |
| M45 30/17       | 30 Nm           | 17 Rpm            | 45 mm         | 230vac 50Hz   | 191 W            | 23                | IP44             | /               |
| M45 50/12       | 50 Nm           | 12 Rpm            | 45 mm         | 230vac 50Hz   | 205 W            | 23                | IP44             | /               |
| M55 80/12       | 80 Nm           | 12 Rpm            | 55 mm         | 230vac 50Hz   | 385 W            | 22                | IP44             | /               |
| M55 100/10      | 100 Nm          | 10 Rpm            | 55 mm         | 230vac 50Hz   | 420 W            | 22                | IP44             | /               |
| M55 120/9       | 120 Nm          | 9 Rpm             | 55 mm         | 230vac 50Hz   | 420 W            | 22                | IP44             | /               |
| SOS45 30/15     | 30 Nm           | 17 Rpm            | 45 mm         | 230vac 50Hz   | 191 W            | 22                | IP44             | /               |
| SOS45 50/12     | 50 Nm           | 12 Rpm            | 45 mm         | 230vac 50Hz   | 205 W            | 22                | IP44             | /               |
| SOS59 80/12     | 80 Nm           | 12 Rpm            | 59 mm         | 230vac 50Hz   | 385 W            | 22                | IP44             | /               |
| SOS59 100/12    | 100 Nm          | 10 Rpm            | 59 mm         | 230vac 50Hz   | 420 W            | 22                | IP44             | /               |
| SOS59 120/9     | 120 Nm          | 9 Rpm             | 59 mm         | 230vac 50Hz   | 420 W            | 22                | IP44             | /               |
| RM45 20/17      | 20 Nm           | 17 Rpm            | 45 mm         | 230vac 50Hz   | 145 W            | 23                | IP44             | 433,92 Mhz      |
| RM45 30/17      | 30 Nm           | 17 Rpm            | 45 mm         | 230vac 50Hz   | 145 W            | 23                | IP44             | 433,92 Mhz      |
| RM45 50/12      | 50 Nm           | 12 Rpm            | 45 mm         | 230vac 50Hz   | 191 W            | 23                | IP44             | 433,92 Mhz      |
| RM55 120/9      | 120 Nm          | 9 Rpm             | 55 mm         | 230vac 50Hz   | 396 W            | 22                | IP44             | 433,92 Mhz      |
| SOS RM45 50/12  | 50 Nm           | 12 Rpm            | 45 mm         | 230vac 50Hz   | 191 W            | 23                | IP44             | 433,92 Mhz      |
| SOS RM59 100/10 | 100 Nm          | 10 Rpm            | 59 mm         | 230vac 50Hz   | 420 W            | 22                | IP44             | 433,92 Mhz      |

SCHEMA PRATICO PER TAPPARELLE



SCHEMA PRATICO PER TENDE DA SOLE





SYSTEMS FOR SUN AWNINGS  
AND SHUTTERS.

**G:B:D:**  
CREATIVE AUTOMATIONS

RUNNER M - RM

230V

\*PRODUCT ALSO AVAILABLE  
AT 115 VAC





SYSTEMS FOR SUN AWNINGS  
AND SHUTTERS.

**GIBIDI**  
CREATIVE AUTOMATIONS

## RUNNER M - RM

**230V** \*PRODUCT ALSO AVAILABLE  
AT 115 VAC

The range of M and RM series motors (BIDIRECTIONAL Radio Mechanical) is suitable for residential and commercial use.

Available in diameters 35-45-55 and with powers ranging from 6 Nm to 120 Nm.

RUNNER RM can satisfy every specific need to get curtains and shutters automated. The integrated radio receiver allows the operator programming and management by means of a remote control.

### BASIC TECHNICAL DATA

- Easy installation and programming
- Mechanical limit switch with progressive adjustment
- Limit switch adjustment directly from the remote control (RM series)
- Internal receiver 433.92 Mhz (RM series)
- Head with central hole Ø 12 mm for mounting in the monobloc drawer
- 2 m long connection cable
- For axles Ø 40, 43, 50, 56, 60, 70 and 78 mm
- Equipped with button output (RM series)
- Compatible with a wide range of GIBIDI automation (M series)
- Compatible with the entire range of FREE DOMUS radio remote controls and home automation (RM series)
- Version with emergency maneuver available



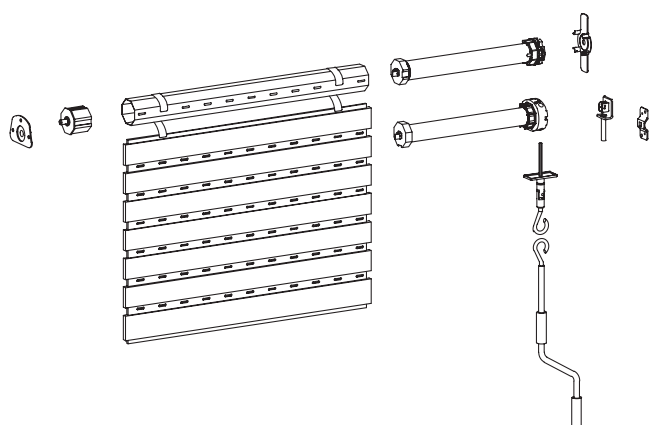
DOWNLOAD  
MORE CONTENT



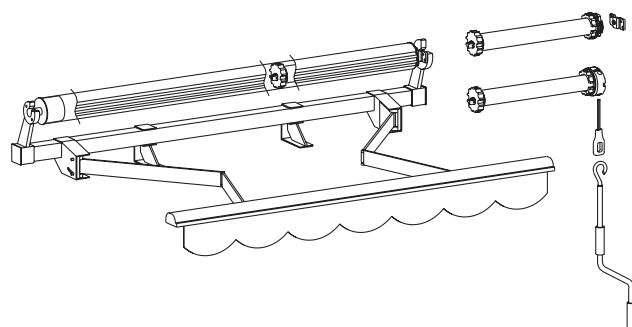
TECHNICAL FEATURES

| RUNNER          | Nominal torque | Nominal speed | Pipe diameter | Power supply | Absorbed power | Max n° of revolutions | IP protection degree | Radio receiver freq. |
|-----------------|----------------|---------------|---------------|--------------|----------------|-----------------------|----------------------|----------------------|
| M35 6/28        | 6 Nm           | 28 Rpm        | 35 mm         | 230vac 50Hz  | 121 W          | 30                    | IP44                 | /                    |
| M35 10/17       | 10 Nm          | 17 Rpm        | 35 mm         | 230vac 50Hz  | 121 W          | 30                    | IP44                 | /                    |
| M45 10/26       | 10 Nm          | 26 Rpm        | 45 mm         | 230vac 50Hz  | 145 W          | 23                    | IP44                 | /                    |
| M45 20/17       | 20 Nm          | 17 Rpm        | 45 mm         | 230vac 50Hz  | 145 W          | 23                    | IP44                 | /                    |
| M45 30/17       | 30 Nm          | 17 Rpm        | 45 mm         | 230vac 50Hz  | 191 W          | 23                    | IP44                 | /                    |
| M45 50/12       | 50 Nm          | 12 Rpm        | 45 mm         | 230vac 50Hz  | 205 W          | 23                    | IP44                 | /                    |
| M55 80/12       | 80 Nm          | 12 Rpm        | 55 mm         | 230vac 50Hz  | 385 W          | 22                    | IP44                 | /                    |
| M55 100/10      | 100 Nm         | 10 Rpm        | 55 mm         | 230vac 50Hz  | 420 W          | 22                    | IP44                 | /                    |
| M55 120/9       | 120 Nm         | 9 Rpm         | 55 mm         | 230vac 50Hz  | 420 W          | 22                    | IP44                 | /                    |
| SOS45 30/15     | 30 Nm          | 17 Rpm        | 45 mm         | 230vac 50Hz  | 191 W          | 22                    | IP44                 | /                    |
| SOS45 50/12     | 50 Nm          | 12 Rpm        | 45 mm         | 230vac 50Hz  | 205 W          | 22                    | IP44                 | /                    |
| SOS59 80/12     | 80 Nm          | 12 Rpm        | 59 mm         | 230vac 50Hz  | 385 W          | 22                    | IP44                 | /                    |
| SOS59 100/12    | 100 Nm         | 10 Rpm        | 59 mm         | 230vac 50Hz  | 420 W          | 22                    | IP44                 | /                    |
| SOS59 120/9     | 120 Nm         | 9 Rpm         | 59 mm         | 230vac 50Hz  | 420 W          | 22                    | IP44                 | /                    |
| RM45 20/17      | 20 Nm          | 17 Rpm        | 45 mm         | 230vac 50Hz  | 145 W          | 23                    | IP44                 | 433,92 Mhz           |
| RM45 30/17      | 30 Nm          | 17 Rpm        | 45 mm         | 230vac 50Hz  | 145 W          | 23                    | IP44                 | 433,92 Mhz           |
| RM45 50/12      | 50 Nm          | 12 Rpm        | 45 mm         | 230vac 50Hz  | 191 W          | 23                    | IP44                 | 433,92 Mhz           |
| RM55 120/9      | 120 Nm         | 9 Rpm         | 55 mm         | 230vac 50Hz  | 396 W          | 22                    | IP44                 | 433,92 Mhz           |
| SOS RM45 50/12  | 50 Nm          | 12 Rpm        | 45 mm         | 230vac 50Hz  | 191 W          | 23                    | IP44                 | 433,92 Mhz           |
| SOS RM59 100/10 | 100 Nm         | 10 Rpm        | 59 mm         | 230vac 50Hz  | 420 W          | 22                    | IP44                 | 433,92 Mhz           |

PRACTICAL SHUTTERS LAY-OUT



PRACTICAL SUN AWNINGS LAY-OUT





SISTEMAS PARA TOLDOS  
Y PERSIANAS ENROLLABLES.

**G:B:D:**  
CREATIVE AUTOMATIONS

**RUNNER M - RM**

**230V** \*PRODUCTO TAMBIÉN  
DISPONIBLE A 115 VAC



©XtravaganT - stock.adobe.com ▶



## RUNNER M - RM

230V

\*PRODUCTO TAMBIÉN  
DISPONIBLE A 115 VAC

La gama de motores de las series M y RM (radio mecánicos BIDIRECCIONALES) es adecuada para uso residencial y comercial.

Disponibles en diámetros 35-45-55 y con potencias que van desde 6 Nm a 120Nm.

RUNNER RM puede satisfacer cualquier necesidad específica de motorizar cortinas y persianas. El receptor de radio integrado permite la programación y gestión del motor por medio del emisor.

### DATOS TÉCNICOS BÁSICOS

- Fácil instalación y programación.
- Final de carrera mecánico con ajuste progresivo
- Receptor interno 433.92 Mhz (serie RM)
- Cabezal con orificio central de Ø 12 mm para montaje en el cajón monobloque
- Cable de conexión de 2 m de largo
- Para ejes de Ø 40, 43, 50, 56, 60, 70 y 78 mm.
- Equipado con salida de botón (serie RM)
- Compatible con una amplia gama de automatización GIBIDI (serie M)
- Compatible con toda la gama de controles remotos de radio y domótica FREE DOMUS (serie RM)
- Versión con maniobra de emergencia disponible.



DESCARGAR  
MÁS INFO

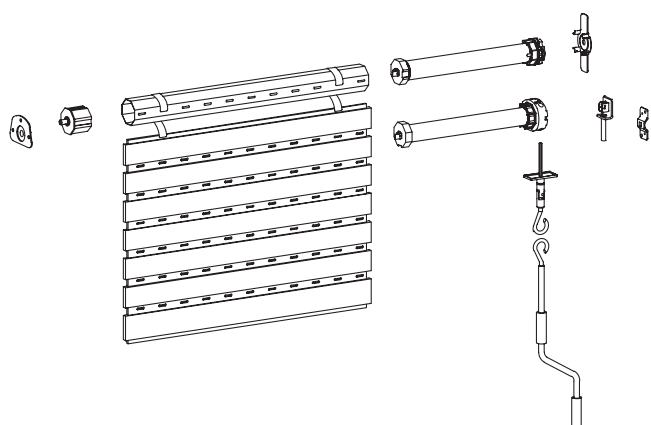




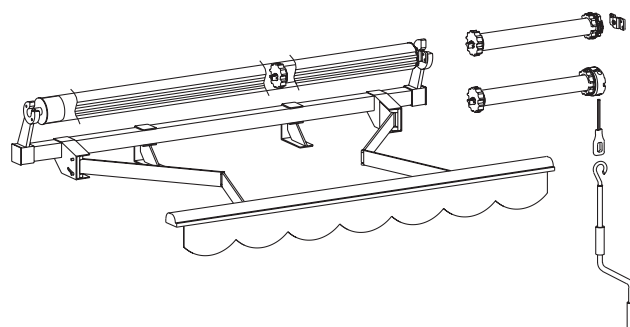
**CARACTERÍSTICAS TÉCNICAS**

| RUNNER          | Par nominal | Velocidad nominal | Diametro del tubo | Alimentación del motor | Potencia absorbida | Núm. de vueltas | Grado de protección | Receptor de radio |
|-----------------|-------------|-------------------|-------------------|------------------------|--------------------|-----------------|---------------------|-------------------|
| M35 6/28        | 6 Nm        | 28 Rpm            | 35 mm             | 230vac 50Hz            | 121 W              | 30              | IP44                | /                 |
| M35 10/17       | 10 Nm       | 17 Rpm            | 35 mm             | 230vac 50Hz            | 121 W              | 30              | IP44                | /                 |
| M45 10/26       | 10 Nm       | 26 Rpm            | 45 mm             | 230vac 50Hz            | 145 W              | 23              | IP44                | /                 |
| M45 20/17       | 20 Nm       | 17 Rpm            | 45 mm             | 230vac 50Hz            | 145 W              | 23              | IP44                | /                 |
| M45 30/17       | 30 Nm       | 17 Rpm            | 45 mm             | 230vac 50Hz            | 191 W              | 23              | IP44                | /                 |
| M45 50/12       | 50 Nm       | 12 Rpm            | 45 mm             | 230vac 50Hz            | 205 W              | 23              | IP44                | /                 |
| M55 80/12       | 80 Nm       | 12 Rpm            | 55 mm             | 230vac 50Hz            | 385 W              | 22              | IP44                | /                 |
| M55 100/10      | 100 Nm      | 10 Rpm            | 55 mm             | 230vac 50Hz            | 420 W              | 22              | IP44                | /                 |
| M55 120/9       | 120 Nm      | 9 Rpm             | 55 mm             | 230vac 50Hz            | 420 W              | 22              | IP44                | /                 |
| SOS45 30/15     | 30 Nm       | 17 Rpm            | 45 mm             | 230vac 50Hz            | 191 W              | 22              | IP44                | /                 |
| SOS45 50/12     | 50 Nm       | 12 Rpm            | 45 mm             | 230vac 50Hz            | 205 W              | 22              | IP44                | /                 |
| SOS59 80/12     | 80 Nm       | 12 Rpm            | 59 mm             | 230vac 50Hz            | 385 W              | 22              | IP44                | /                 |
| SOS59 100/12    | 100 Nm      | 10 Rpm            | 59 mm             | 230vac 50Hz            | 420 W              | 22              | IP44                | /                 |
| SOS59 120/9     | 120 Nm      | 9 Rpm             | 59 mm             | 230vac 50Hz            | 420 W              | 22              | IP44                | /                 |
| RM45 20/17      | 20 Nm       | 17 Rpm            | 45 mm             | 230vac 50Hz            | 145 W              | 23              | IP44                | 433,92 Mhz        |
| RM45 30/17      | 30 Nm       | 17 Rpm            | 45 mm             | 230vac 50Hz            | 145 W              | 23              | IP44                | 433,92 Mhz        |
| RM45 50/12      | 50 Nm       | 12 Rpm            | 45 mm             | 230vac 50Hz            | 191 W              | 23              | IP44                | 433,92 Mhz        |
| RM55 120/9      | 120 Nm      | 9 Rpm             | 55 mm             | 230vac 50Hz            | 396 W              | 22              | IP44                | 433,92 Mhz        |
| SOS RM45 50/12  | 50 Nm       | 12 Rpm            | 45 mm             | 230vac 50Hz            | 191 W              | 23              | IP44                | 433,92 Mhz        |
| SOS RM59 100/10 | 100 Nm      | 10 Rpm            | 59 mm             | 230vac 50Hz            | 420 W              | 22              | IP44                | 433,92 Mhz        |

**ESQUEMA PRÁCTICO PARA PERSIANAS ENROLLABLES**



**ESQUEMA PRÁCTICO PARA TOLDOS**





SYSTÈMES POUR  
VOLETS ROULANTS ET STORES.

**G:B:D**  
CREATIVE AUTOMATIONS

RUNNER M - RM

230V

\*PRODUIT ÉGALEMENT  
DISPONIBLE À 115 VAC





## RUNNER M - RM

230V

\*PRODUIT ÉGALEMENT  
DISPONIBLE À 115 VAC

La gamme de moteurs des séries M et RM (Radios Mécaniques BIDIRECTIONNELLES) convient à un usage résidentiel et commercial.

Disponible dans les diamètres 35-45-55 et avec des puissances allant de 6Nm à 120Nm.

RUNNER RM peut satisfaire tous les besoins spécifiques de motorisation de rideaux et volets. Le récepteur radio intégré permet la programmation et gestion du moteur par radiocommande.

### DONNÉES TECHNIQUES DE BASE

- Installation et programmation faciles
- Fin de course mécanique à réglage progressif
- Récepteur intégrée 433,92 Mhz (série RM)
- Tête avec trou central Ø 12 mm pour montage dans le tiroir monobloc
- Câble de connexion de 2 m de longueur
- Pour essieux Ø 40, 43, 50, 56, 60, 70 et 78 mm
- Équipé d'une sortie bouton (série RM)
- Compatible avec une large gamme d'automatisations GIBIDI (série M)
- Compatible avec toute la gamme de télécommandes radio DOMUS FREE et de la domotique (série RM)
- Version avec manœuvre d'urgence disponible



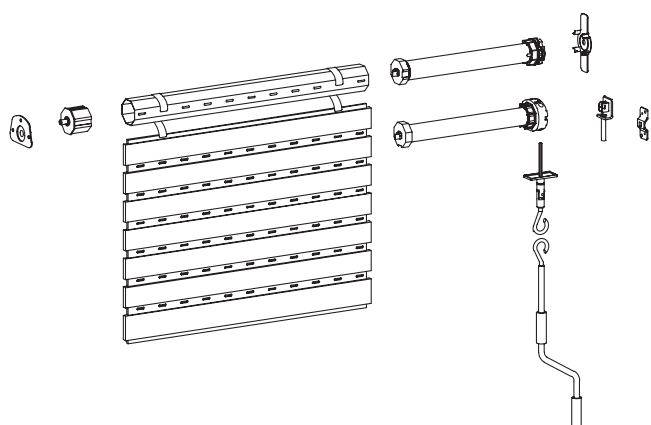
TÉLÉCHARGEZ  
PLUS D'INFO



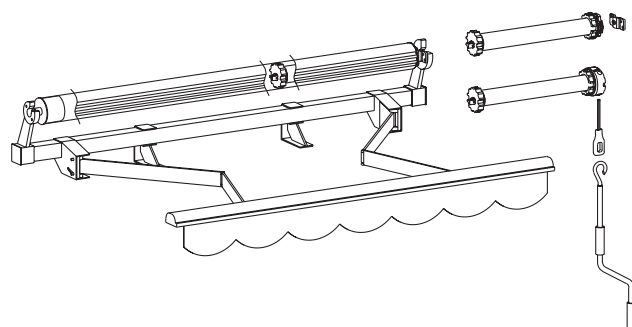
## CARACTÉRISTIQUES TECHNIQUES

| RUNNER          | Couple nominal | Vitesse nominal | diamètre du tube | Alimentation | Puissance absorbé | Nombre de tours | Degré de protection | Récepteur radio |
|-----------------|----------------|-----------------|------------------|--------------|-------------------|-----------------|---------------------|-----------------|
| M35 6/28        | 6 Nm           | 28 Rpm          | 35 mm            | 230vac 50Hz  | 121 W             | 30              | IP44                | /               |
| M35 10/17       | 10 Nm          | 17 Rpm          | 35 mm            | 230vac 50Hz  | 121 W             | 30              | IP44                | /               |
| M45 10/26       | 10 Nm          | 26 Rpm          | 45 mm            | 230vac 50Hz  | 145 W             | 23              | IP44                | /               |
| M45 20/17       | 20 Nm          | 17 Rpm          | 45 mm            | 230vac 50Hz  | 145 W             | 23              | IP44                | /               |
| M45 30/17       | 30 Nm          | 17 Rpm          | 45 mm            | 230vac 50Hz  | 191 W             | 23              | IP44                | /               |
| M45 50/12       | 50 Nm          | 12 Rpm          | 45 mm            | 230vac 50Hz  | 205 W             | 23              | IP44                | /               |
| M55 80/12       | 80 Nm          | 12 Rpm          | 55 mm            | 230vac 50Hz  | 385 W             | 22              | IP44                | /               |
| M55 100/10      | 100 Nm         | 10 Rpm          | 55 mm            | 230vac 50Hz  | 420 W             | 22              | IP44                | /               |
| M55 120/9       | 120 Nm         | 9 Rpm           | 55 mm            | 230vac 50Hz  | 420 W             | 22              | IP44                | /               |
| SOS45 30/15     | 30 Nm          | 17 Rpm          | 45 mm            | 230vac 50Hz  | 191 W             | 22              | IP44                | /               |
| SOS45 50/12     | 50 Nm          | 12 Rpm          | 45 mm            | 230vac 50Hz  | 205 W             | 22              | IP44                | /               |
| SOS59 80/12     | 80 Nm          | 12 Rpm          | 59 mm            | 230vac 50Hz  | 385 W             | 22              | IP44                | /               |
| SOS59 100/12    | 100 Nm         | 10 Rpm          | 59 mm            | 230vac 50Hz  | 420 W             | 22              | IP44                | /               |
| SOS59 120/9     | 120 Nm         | 9 Rpm           | 59 mm            | 230vac 50Hz  | 420 W             | 22              | IP44                | /               |
| RM45 20/17      | 20 Nm          | 17 Rpm          | 45 mm            | 230vac 50Hz  | 145 W             | 23              | IP44                | 433,92 Mhz      |
| RM45 30/17      | 30 Nm          | 17 Rpm          | 45 mm            | 230vac 50Hz  | 145 W             | 23              | IP44                | 433,92 Mhz      |
| RM45 50/12      | 50 Nm          | 12 Rpm          | 45 mm            | 230vac 50Hz  | 191 W             | 23              | IP44                | 433,92 Mhz      |
| RM55 120/9      | 120 Nm         | 9 Rpm           | 55 mm            | 230vac 50Hz  | 396 W             | 22              | IP44                | 433,92 Mhz      |
| SOS RM45 50/12  | 50 Nm          | 12 Rpm          | 45 mm            | 230vac 50Hz  | 191 W             | 23              | IP44                | 433,92 Mhz      |
| SOS RM59 100/10 | 100 Nm         | 10 Rpm          | 59 mm            | 230vac 50Hz  | 420 W             | 22              | IP44                | 433,92 Mhz      |

### SCHÉMA PRACTIQUE POUR VOLETS ROULANTS



### SCHÉMA PRACTIQUE POUR STORES





SYSTEME FÜR SONNENMARKISEN  
UND ROLLADEN.

**G:B:D:**  
CREATIVE AUTOMATIONS

RUNNER M - RM

**230V** \*PRODUKT AUCH BEI  
115 VAC ERHÄLTlich





## RUNNER M - RM

**230V** \*PRODUKT AUCH BEI  
115 VAC ERHÄLTlich

Die Sortiment der Motoren Serien M und RM (mit Radio mechanische BIDIREKTIONALE Funkgeräte) eignen sich für den privaten und gewerblichen Gebrauch.

Erhältlich in den Durchmessern 35-45-55 und mit Leistungen von 6 Nm bis 120 Nm.

RUNNER RM kann alle spezifischen Anforderungen zur Motorisierung von Markisen und Rollläden erfüllen. Der integrierte Funkempfänger ermöglicht die Programmierung und Verwaltung des Motors über Funk.

### GRUNDLEGENDE TECHNISCHE DATEN

- Einfache Installation und Programmierung
- Mechanischer Endschalter mit progressiver Einstellung
- Interner Empfänger 433,92 MHz (RM-Serie)
- Kopf mit Ø 12 mm Mittelloch zur Montage in der Monoblockbox
- 2 Meter lang Anschlusskabel
- Für Ø 40, 43, 50, 56, 60, 70 und 78 mm Wellen
- Ausgestattet mit Tastenausgang (RM-Serie)
- Kompatibel mit einer Vielzahl von GIBIDI-Automatisierungen (M-Serie)
- Kompatibel mit der gesamten Sortiment der FREE DOMUS-Funkfernbedienungen und der Heimautomation (RM-Serie)
- Nothandkurbel Version verfügbar



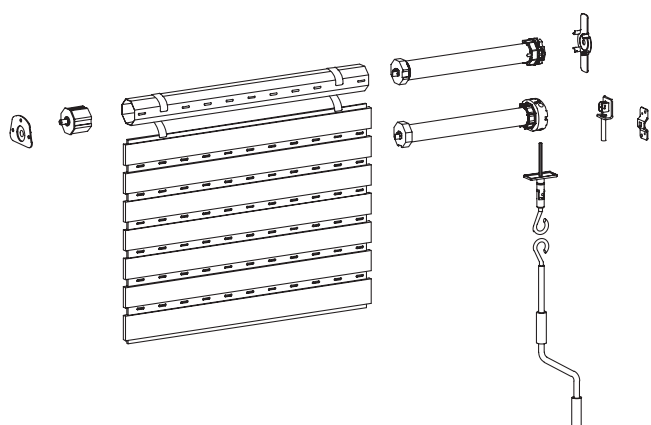
WEITERE  
INFORMATIONEN HIER



TECHNISCHE EIGENSCHAFTEN

| RUNNER          | Nennrehmoment | Nennzahl | Rohrdurchmesser | Motorstromversorgung | Stromverbrauch | Rundenanzahl | IP-Schutzgrad | Funkempfänger |
|-----------------|---------------|----------|-----------------|----------------------|----------------|--------------|---------------|---------------|
| M35 6/28        | 6 Nm          | 28 Rpm   | 35 mm           | 230vac 50Hz          | 121 W          | 30           | IP44          | /             |
| M35 10/17       | 10 Nm         | 17 Rpm   | 35 mm           | 230vac 50Hz          | 121 W          | 30           | IP44          | /             |
| M45 10/26       | 10 Nm         | 26 Rpm   | 45 mm           | 230vac 50Hz          | 145 W          | 23           | IP44          | /             |
| M45 20/17       | 20 Nm         | 17 Rpm   | 45 mm           | 230vac 50Hz          | 145 W          | 23           | IP44          | /             |
| M45 30/17       | 30 Nm         | 17 Rpm   | 45 mm           | 230vac 50Hz          | 191 W          | 23           | IP44          | /             |
| M45 50/12       | 50 Nm         | 12 Rpm   | 45 mm           | 230vac 50Hz          | 205 W          | 23           | IP44          | /             |
| M55 80/12       | 80 Nm         | 12 Rpm   | 55 mm           | 230vac 50Hz          | 385 W          | 22           | IP44          | /             |
| M55 100/10      | 100 Nm        | 10 Rpm   | 55 mm           | 230vac 50Hz          | 420 W          | 22           | IP44          | /             |
| M55 120/9       | 120 Nm        | 9 Rpm    | 55 mm           | 230vac 50Hz          | 420 W          | 22           | IP44          | /             |
| SOS45 30/15     | 30 Nm         | 17 Rpm   | 45 mm           | 230vac 50Hz          | 191 W          | 22           | IP44          | /             |
| SOS45 50/12     | 50 Nm         | 12 Rpm   | 45 mm           | 230vac 50Hz          | 205 W          | 22           | IP44          | /             |
| SOS59 80/12     | 80 Nm         | 12 Rpm   | 59 mm           | 230vac 50Hz          | 385 W          | 22           | IP44          | /             |
| SOS59 100/12    | 100 Nm        | 10 Rpm   | 59 mm           | 230vac 50Hz          | 420 W          | 22           | IP44          | /             |
| SOS59 120/9     | 120 Nm        | 9 Rpm    | 59 mm           | 230vac 50Hz          | 420 W          | 22           | IP44          | /             |
| RM45 20/17      | 20 Nm         | 17 Rpm   | 45 mm           | 230vac 50Hz          | 145 W          | 23           | IP44          | 433,92 Mhz    |
| RM45 30/17      | 30 Nm         | 17 Rpm   | 45 mm           | 230vac 50Hz          | 145 W          | 23           | IP44          | 433,92 Mhz    |
| RM45 50/12      | 50 Nm         | 12 Rpm   | 45 mm           | 230vac 50Hz          | 191 W          | 23           | IP44          | 433,92 Mhz    |
| RM55 120/9      | 120 Nm        | 9 Rpm    | 55 mm           | 230vac 50Hz          | 396 W          | 22           | IP44          | 433,92 Mhz    |
| SOS RM45 50/12  | 50 Nm         | 12 Rpm   | 45 mm           | 230vac 50Hz          | 191 W          | 23           | IP44          | 433,92 Mhz    |
| SOS RM59 100/10 | 100 Nm        | 10 Rpm   | 59 mm           | 230vac 50Hz          | 420 W          | 22           | IP44          | 433,92 Mhz    |

PRAKTISCHE ROLLADEN-LAYOUT



PRAKTISCHES SONNENMARKISEN-LAYOUT

