

ELMO.

GLOBAL SECURITY SOLUTIONS

**Relay output multiple module
ETR-REL
TECHNICAL MANUAL**

FOREWORD

FOR THE INSTALLER:

Please follow carefully the specifications relative to electric and security systems realization further to the manufacturer's prescriptions indicated in the manual provided.

Provide the user the necessary indication for use and system's limitations, specifying that there exist precise specifications and different safety performances levels that should be proportioned to the user needs. Have the user view the directions indicated in this document.

FOR THE USER:

Periodically check carefully the system functionality making sure all enabling and disabling operations were made correctly.

Have skilled personnel make the periodic system's maintenance. Contact the installer to verify correct system operation in case its conditions have changed (e.g.: variations in the areas to protect due to extension, change of the access modes, etc...)

.....

This device has been projected, assembled and tested with the maximum care, adopting control procedures in accordance with the laws in force. The full correspondence to the functional characteristics is given exclusively when it is used for the purpose it was projected for, which is as follows:

Relay output multiple module

Any use other than the one mentioned above has not been forecasted and therefore it is not possible to guarantee its correct operativeness.

The manufacturing process is carefully controlled in order to prevent defaults and bad functioning. Nevertheless, an extremely low percentage of the components used is subjected to faults just as any other electronic or mechanic product. As this item is meant to protect both property and people, we invite the user to proportion the level of protection that the system offers to the actual risk (also taking into account the possibility that the system was operated in a degraded manner because of faults and the like), as well reminding that there are precise laws for the design and assemblage of the systems destined to these kind of applications.

The system's operator is hereby advised to see regularly to the periodic maintenance of the system, at least in accordance with the provisions of current legislation, as well as to carry out checks on the correct running of said system on as regular a basis as the risk involved requires, with particular reference to the control unit, sensors, sounders, dialler(s) and any other device connected. The user must let the installer know how well the system seems to be operating, based on the results of periodic checks, without delay.

Design, installation and servicing of systems which include this product, should be made by skilled staff with the necessary knowledge to operate in safe conditions in order to prevent accidents. These systems' installation must be made in accordance with the laws in force. Some equipment's inner parts are connected to electric main and therefore electrocution may occur if servicing was made before switching off the main and emergency power. Some products incorporate rechargeable or non rechargeable batteries as emergency power supply. Their wrong connection may damage the product, properties and the operator's safety (burst and fire).

EU DECLARATION OF CONFORMITY

The product complies with current European EMC and LVD directives. The full text of the EU declaration of conformity is available at the following Internet address: elmospa.com – registration is quick and easy.


1. GENERALS

ETR-REL relay output module is an optional device for ETR series (ETR512, ETR256, ETR128), CPxx and ET848xx series control units, for TR8, TR8B, RIVER, RIVER2 and RIVER3 concentrators, and for other compatible equipment. It has been designed for the repetition of devices operating status or programmable outputs. It is equipped with 8 terminal relay outputs with free from potential contacts (max current output 1A@24Vdc).

ETR-REL module installation is extremely easy thanks to the nylon clips provided for module mounting on to compatible devices housing.

ETR-REL module is not suitable to be used instead of CP8/REL and UNIREL modules within systems controlled by HSxx control units or equipped with O.C. outputs-based controls.

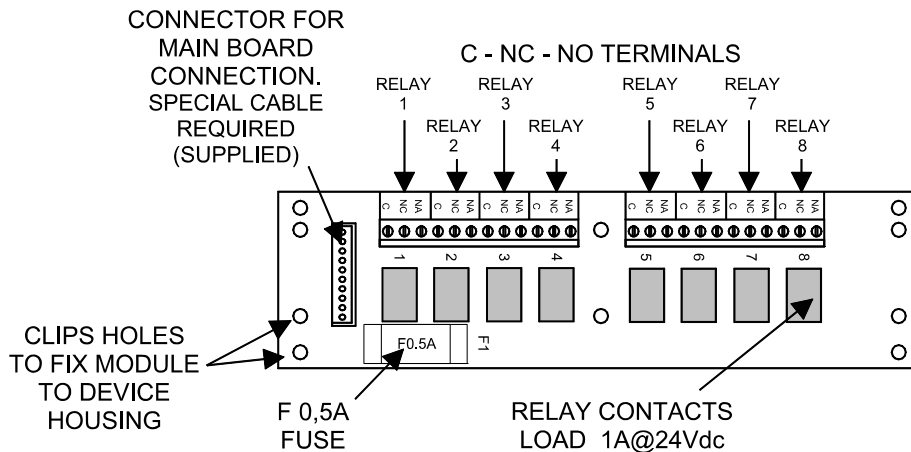
2. ETR-REL MODULE FEATURES

Model:	ETR-REL
Power supply:	12V 
Power consump.:	120mA max. @12V.
Connections:	Power supply and control signals transmission with positive voltage via non-reversible connector and multicore cable terminated at both sides, C - NC - NO terminations for relay outputs.
Relay outputs load:	1A@24Vdc max.
Protection:	F 0,5A fuse on main board for relay power supply.
Operat. Temperat.:	+5 / +40 °C - IMQ_SISTEMI DI SICUREZZA certified -10 / +45°C certified from manufacturer - 93% r.h.
Dimensions:	W 50 x H 185 x D 30 mm.
Weight:	93g.
Parts supplied:	600 mm terminated cable, 6 nylon clips, technical manual.

ETR-REL module has to be considered as an optional accessory for ETR series and compatible control units.

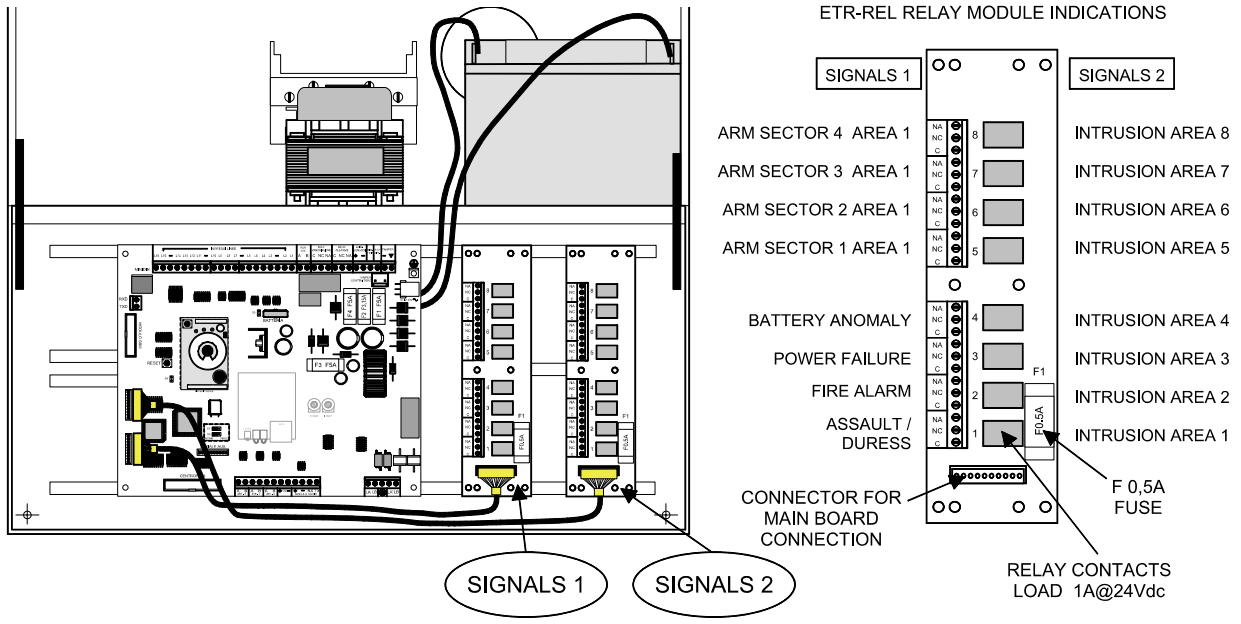
3. WIRING DIAGRAMS

Module connections.



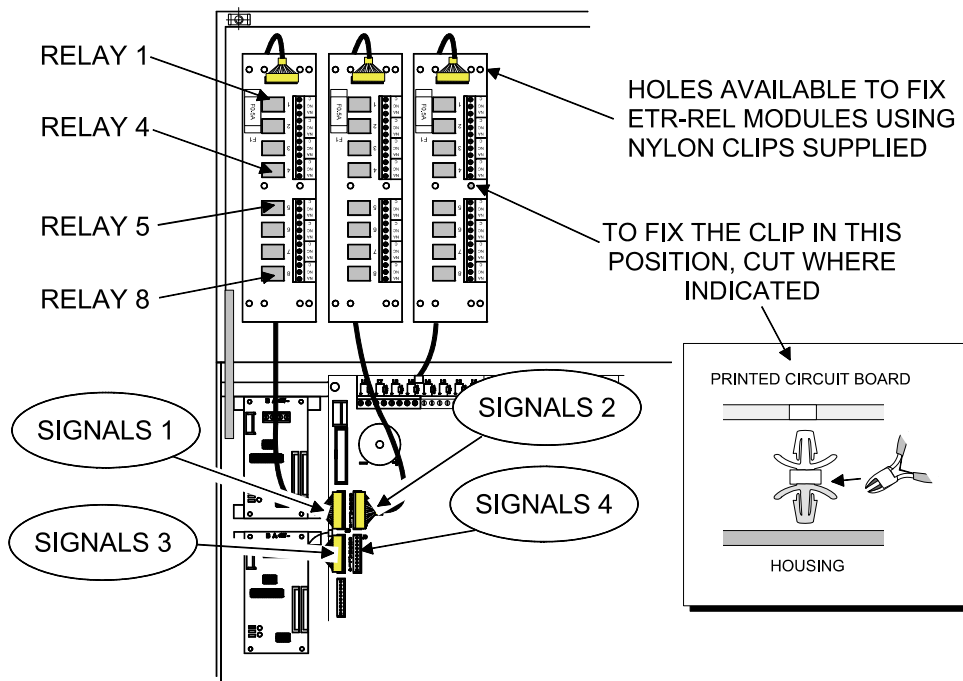
WARNING:
TERMINALS WIRING MAY BE DIFFERENT (INVERTED) FROM SILK-SCREEN PRINTING ABOVE AS TO OUTPUTS STATUS OF COMPATIBLE CONTROL UNITS. USERS MUST ALWAYS REFER TO RELEVANT TECHNICAL MANUALS.

Example: module installation on to ETRxx control unit.



NOTE: USE NYLON CLIPS SUPPLIED TO MOUNT ETR-REL MODULE. FIX THEM AS INDICATED USING SOME OF THE HOLES (5) AVAILABLE ON MODULES AND METAL SUPPORTS BENEATH.

Example: module installation on to CP90 control unit.



4. DISPOSAL INSTRUCTIONS

Dispose of ETR-REL module in compliance with current city regulations and by leaving the device in a dumping ground that is authorized for the disposal of electronic products. If required, please contact the appropriate city office for additional information.

The materials used for this product are very harmful and polluting if dispersed in the environment.