

# BIOPAD-M

## BIOMETRIC KEYPAD READER

BIOPAD-M is a Wiegand biometric keypad for access control applications with backlit keys and programmable wiegand output. It offers storage up to 9500 fingerprints, programmable Wiegand Output (8 to 128 bits) and selectable PIN Code length. Management of the reader is integrated in our access control software PROS CS.

For integration with other systems we provide:

- Biomanager CS, client-server based software package for solutions without additional development
- CNV1000, TCP/RS-485 communication converter for connection between software and readers



INTERNAL AND EXTERNAL USE

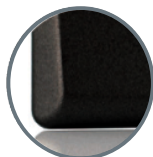
### FEATURES

- Surface Mount fingerprint reader with integrated keypad
- Authentication: Finger, Finger or PIN Code, Finger and PIN Code
- Storage capacity: 9500 Fingerprints
- Fingerprints per user: 1-10 fingerprints
- PIN Code Length: 1 to 8 digits
- Recognition and matching time: < 1 s
- SteelCoat protective coating provides added protection of fingerprint sensor for rugged environments
- Large rectangular LED allows a fast reader status reading
- Configuration and template management by software
- Enrolment can be done from Desktop Reader or reader itself
- Adjustable Wiegand protocol (1 to 128-bit) is utilized in the biometric reader which makes it compatible with controllers with Wiegand interface
- Wiegand Protocol adjustment done through PC
- Programmable Backlight ON/OFF
- Separate BioManager CS Software available free when used with third party controllers
- Fingerprints stored in the reader and backup copy kept in the software
- Compatibility with XPR Control Panels: EWS
- Power Supply: 9-14 V DC
- Consumption: 150 mA max.
- IP rating: IP65
- Operating Temperature: -15°C to +50°C

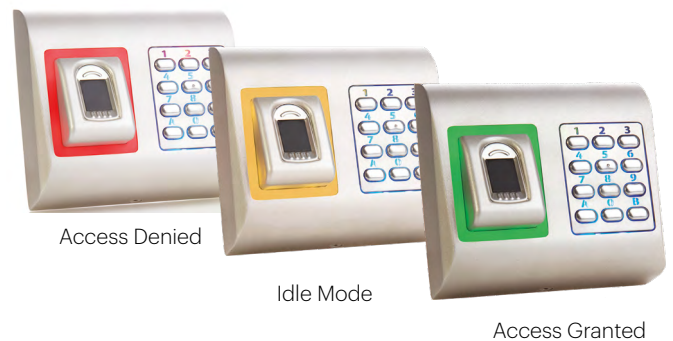
### COLOURS



BIOPADS-M  
Silver



BIOPADBK-M  
Black

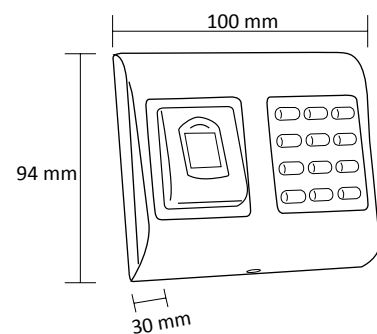


### ACCESSORIES

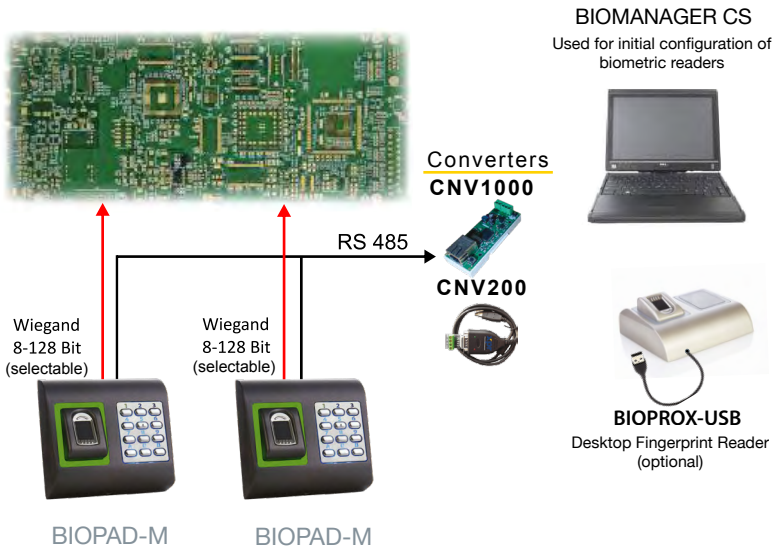


**MCD-MINI**  
Compulsory protection cover supplied with reader for external use.

### DIMENSIONS



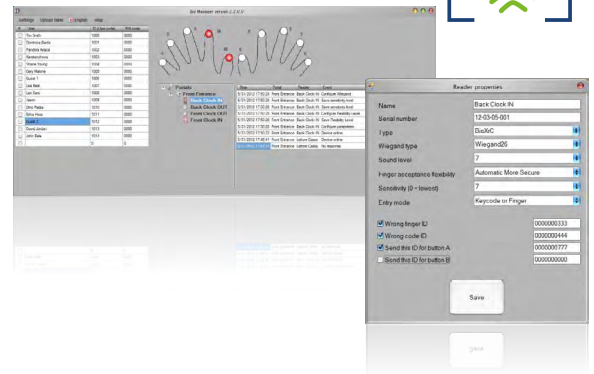
## THIRD PARTY CONTROLLER - ARCHITECTURE



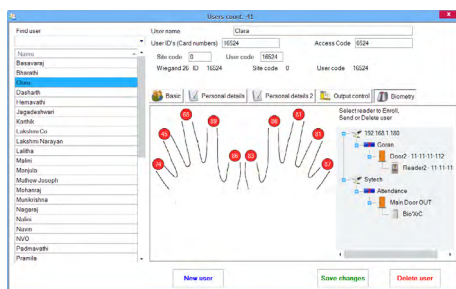
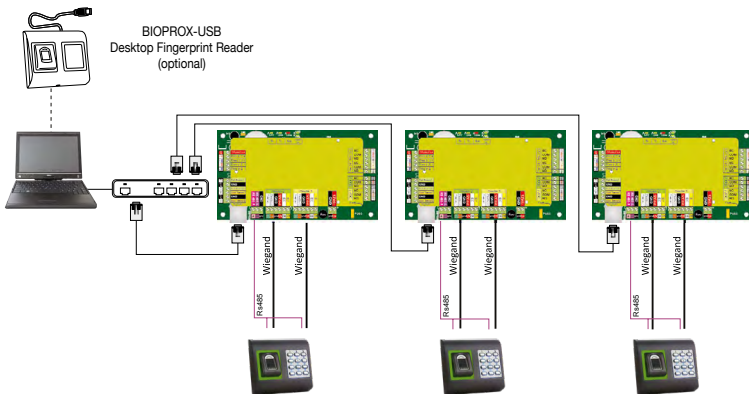
- Enrolment can be done from any biometric reader in the network or from Desktop USB Enrollment Unit.
- Finger templates can be sent to all readers in the network. Different Users can be sent to different Fingerprint Readers.

## BIOMANAGER CS SOFTWARE

- Windows based PC Software
- Free Fingerprint Management Software for XPR Biometric Readers



## EWS CONTROLLER - ARCHITECTURE



## PROS CS SOFTWARE

- Client-Server Software that allows multiple users to connect to the server PC.
- User-Friendly windows Interface for simple programming, management and control of installations.

More info about the software on:  
<http://www.xprgroup.com/products/pros-cs/>

