

XCU COMPACT

XCU Compact 316L rugged 2MP HD camera motorized zoom

DESCRIPTION

Rugged stainless-steel camera for demanding environments. The XCU Compact is available with a 4x or 10x motorized lens and autofocus for rapid deployment and remote installation. The XCU and its accessories are double protected against corrosion; they are entirely made of powder-coated stainless-steel (316L). The housing is hermetically sealed against water and dust, which makes it ideal for harsh environments like traffic, tunnels, marine, offshore, heavy industry, waste management, etc.

FEATURES

Motorized zoom and Full-HD

Compact, robust, and corrosion free

powder-coated 316L stainless steel housing

Plug & Play

Hydrophobic optical window

Water and dust tight: IP66 & IP67

ONVIF Profile S



Description

The XCU Compact Camera is designed to operate under the tough environmental conditions in traffic (tunnels) and marine (offshore) applications. The housing and brackets are made from high grade 316L stainless steel, powder-coated (RAL9016) for the best protection against corrosive substances and environments.

Plug & Play

Installing and commissioning IP cameras is made easy with the XCU Compact. It slides into place on the XCU's versatile mounting accessories and is operational by connecting powered Ethernet . No need to open the unit; all connections can be prepared in advance.

Integrated 4x or 10x zoom Full-HD lens

The XCU Compact is available with different motorized zoom lenses. The short range 2.8 mm to 12 mm (4x) or mid-range 5 mm to 50 mm (10x) optical zoom offers an ideal coverage of the scene for almost any camera position. Remote zoom and focus allows you to define and configure the field-of-view afterwards, without opening the camera. The ultra-low light performance makes this a versatile camera for a wide range of applications.

Open standards

Out of the box, the XCU Compact integrates with the common VMS systems. Being ONVIF Profile S compliant, the camera is supported by most video management systems. When needed, the camera can be controlled through a comprehensive HTTP API (Siqua Programming Interface). This specifically enables deployment in projects with custom requirements.

Multi-streaming and multicasting

The XCU Compact has multi-streaming capabilities for simultaneous transmission of one or more H.264 streams combined with MJPEG. This guarantees interoperability with existing VMS systems. Multiple combinations of resolution and frame rate can be configured to satisfy different live-viewing and recording scenarios. In addition, multicasting is supported for complex, multi-user video networks.

Image enhancements

The XCU Compact has a full set of image enhancement tools on-board to improve the image for the actual application. The adjustable white balance and hue can compensate

for varying lighting conditions. Back-light compensation and wide dynamic range functions enhance image quality in difficult lighting situations, ensuring quality pictures even in case of challenging scenes.

Connectivity

The XCU Compact comes standard with IP67 connectors for Ethernet and power. It is powered either by power-over-Ethernet or by 24 Vac/Vdc.

Camera housing	
Body material	316L stainless steel
Finishing	Powder coated (RAL9016)
Sunshield	316L powder coated (RAL9016)
Heater/Demister	Standard
Ingress protection	IP66, IP67
Corrosion Class	C5 (ISO 12944)
Impact rating casing	IK10
Solar radiation test	MIL-STD-810, method 505.4 (p.4)
Shock test (transportation)	MIL-STD-810, method 516.5
Vibration (IEC 50068-2-6)	10 Hz to 150 Hz, 0.5g, all 3 axes, 1 oct/min, 1 sweep
Max wind velocity	240 km/h (150 mph)
Operating temperature	-34 °C to +74 °C (-29 °F to 165 °F) - per Nema TS-2
- Continuous (sheltered, air temp)	-30 °C to +55 °C (-22 °F to 131 °F)
- Cold start	-30°C (-22 °F)
Relative Humidity	5% to 100%
Dry heat test	+75 °C, 24 hours
Weight	2.5 kg

Imager and lens		
Motorized zoom	10x zoom	4x zoom
Image sensor	1/3" Progressive scan CMOS	1/2.8" progressive scan CMOS
Effective pixels	1920(H) x 1080(V), 2.1Mp	1920(H) x 1080(V), 2.1Mp
Minimum scene illumination	0.02 lux color, 0.005 lux B/W f/1.6	0.02 lux color; 0.005 lux B/W f/1.4
Lens	5.1 to 51 mm	2.8 to 12 mm
Horizontal field of view	54° (W) to 4.9°(T)	105° (W) to 33° (T)
Lens type	motorized zoom	motorized varifocal
Dynamic WDR	120dB	
Shutter speed	1/25 - 1/30,000 s	
Features	BLC, HLC, auto/manual white balance, noise reduction, defog	
Digital Image Stabilization	Yes (10x zoom only)	
Exposure	Auto/Manual/Iris priority/shutter priority	
Day/Night (IR-cut filter)	Auto/Manual	
Focus	Auto, manual, push-to-focus	

Video stream	
Number of streams	2x
Aspect ratio	16:9, 16:10, 5:4, 4:3 (cropped, no scaling)
Compression algorithm(s)	H.264 BP/MP/HP (H.264/MPEG-4 AVC), MJPEG
Supported output resolutions	1920x1080; 1280x1024; 1280x720; 720x576; 704x576; 640x480; 480x576, 352x576; 704x288; 352x288; 320x240; 176x144
Compression bit rate control	Variable bit rate (VBR)
Output bit rate (per H.264 stream)	Up to 6Mb/s
Max latency	125 ms

Specs



Video stream

Number of video output streams	Up to 20 (RTSP) per input
Total output data rate (max)	50Mb/s
Video overlay	3x Text, 1x bitmap (BMP, GIF) in both optical and thermal image

Electrical

Supply voltage	24 Vac 50/60 Hz or 24 Vdc	
Max. power consumption	10x zoom	4x zoom
	9 W heater off; 12 W heater on	12 W heater off; 15 W heater on
PoE	IEEE802.3af or IEEE802.at typeI	IEEE802.3at type II (PoE+)
Power connector	3-pin 7/8" Conec	
Network connector	Conec RJ45	
PoE+ wiring recommendation	Wiring resistance = 50V	

Network

Interface(s)	100 Mb Ethernet, auto negotiating, MDI/MDX
Protocols	IPv4, TCP/IP, UDP, RTP, RTSP, HTTP, HTTPS, ICMP, FTP, SMTP, DHCP, UPnP, IEEE 802.1x (EAP-MD5 or EAP TLS), IGMP, SNMP, QoS, ONVIF, TLS1.2, NTCIP-1205
Password levels	Viewer, Operator and Administrator
Supported browsers	Edge, Chrome, Firefox, Safari
User accounts	20

Ordering information

XCU-C M04	XCU Compact 316L rugged 2MP HD camera 4x motorized 4-12mm
XCU-C M10	XCU Compact 316L rugged 2MP HD camera 10x motorized 5-50mm

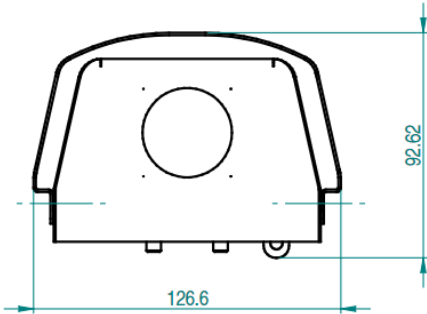
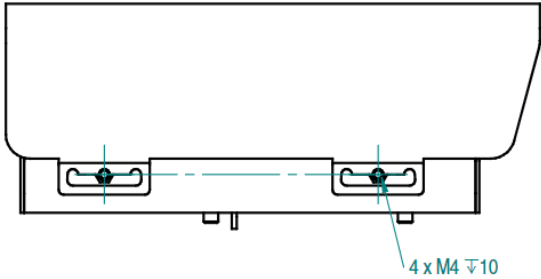
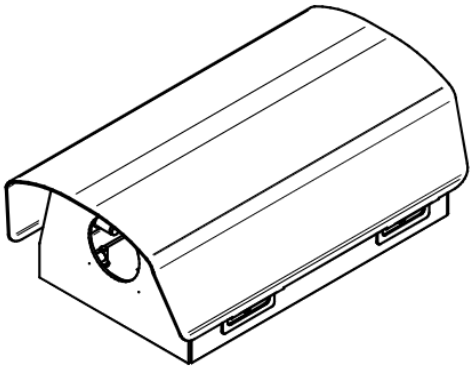
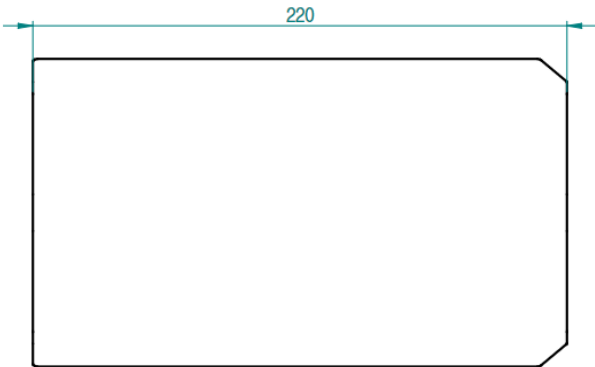
Mounting accessories

XCUWM01	XCU 316L Wall/Pole mount with swivel, RAL9016
XCUCM01	XCU 316L Rugged ceiling mount, RAL9016
XCUSW01	XCU 316L Swivel mount (swivel only), RAL9016

Cable connectors

XCUCNC-PWR01	XCU IP67 power connector straight, cable part (included)
XCUCNC-RJ45	XCU IP67 Ethernet connector straight, cable part (included)

DIMENSIONS IN [MM]



RELATED



Siqura XCUWM01
316L Wall-Pole mount with swivel for the XCU Fusion and Compact



Siqura XCUCM01
Ceilingmount for the XCU Fusion and Compact
