

PADPROX-MF

MULTIPROTOCOL KEYPAD READER WITH
MIFARE READER



INTERNAL AND EXTERNAL USE

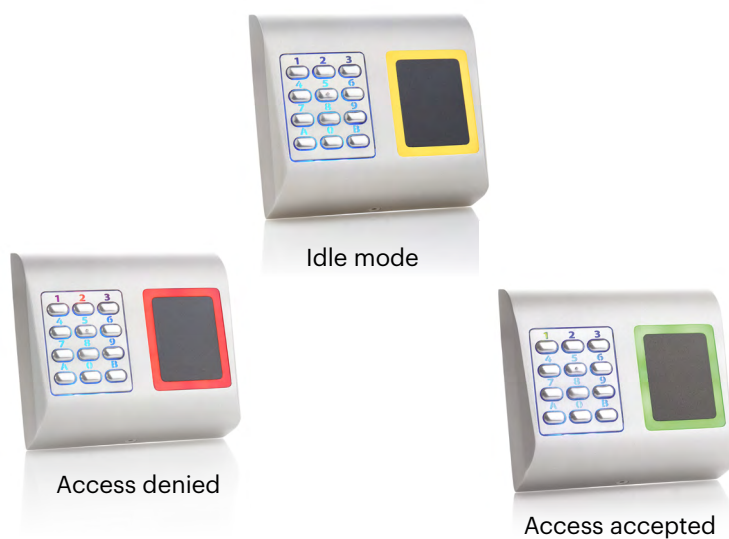


bx Black Edition
Product available in Black ABS

FEATURES

- Surface Mount keypad with integrated Mifare reader
- Housing: ABS
- Authentication: Card, PIN Code, Card or/and PIN Code
- RFID reading type: Mifare Classic 1K & 4K, Ultralight, Desfire
- Wiegand 24, 26, 30, 32, 34, 35, 37, 40, 42, 56, 58, 4/6/8 bit burst for key; Clock & Data, Codix;
- PIN Code Length: 1 to 8 digits
- Reading distance: Up to 3cm
- Backlight control - red, green, orange controlled by master device
- Buzzer: yes
- Tamper: yes
- Compatibility with XPR Controllers: EWS, SC24000
- Power Supply: 9-14V DC
- Consumption: max. 150 mA
- IP rating: IP65
- Operating Temperature: -20°C to +50°C, non condensing

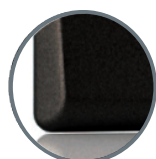
LEDS STATUS



VERSIONS

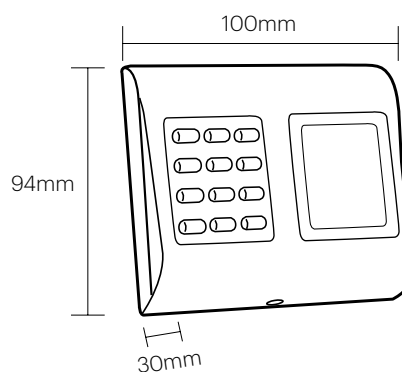


PADPROXS-MF
Silver - ABS

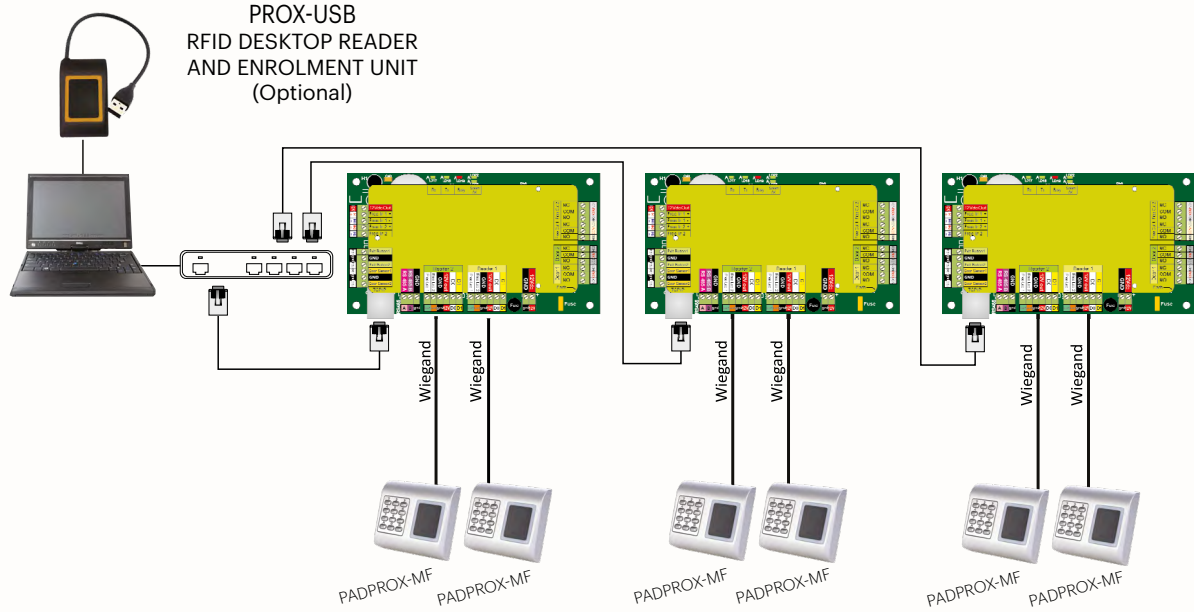


PADPROXBK-MF
Black- ABS

DIMENSIONS



— EWSI CONTROLLER - ARCHITECTURE —



— PROS CS SOFTWARE —

- Client-Server Software that allows multiple users to connect to the server PC.
- User-Friendly windows Interface for simple programming, management and control of installations.



More info about the software on:
<http://www.xprgroup.com/products/pros-cs/>

— FOBS & CARDS —



Ref.	PBX-1E-MS50	PBX-2-MS50	PBX-2C-MS50
Features	ABS Keyfob 13.56 MHz	0.75 mm ISO Card - 13.56 MHz	2 mm NISO Card - 13.56 MHz

All product specifications are subject to change without notice.