

MDPSTN

Ethernet modules for
VILLEGGIO control unit
and compatible devices

090050704



IT08020000001624



IMQ-SISTEMI DI SICUREZZA



WARNING

FOR THE INSTALLER:

Please follow carefully the specifications relative to electric and security systems realization further to the manufacturer's prescriptions indicated in the manual provided.

Provide the user the necessary indication for use and system's limitations, specifying that there exist precise specifications and different safety performances levels that should be proportioned to the user needs. Have the user view the directions indicated in this document.

FOR THE USER:

Periodically check carefully the system functionality making sure all enabling and disabling operations were made correctly.

Have skilled personnel make the periodic system's maintenance. Contact the installer to verify correct system operation in case its conditions have changed (e.g.: variations in the areas to protect due to extension, change of the access modes, etc...)

.....

This device has been projected, assembled and tested with the maximum care, adopting control procedures in accordance with the laws in force. The full correspondence to the functional characteristics is given exclusively when it is used for the purpose it was projected for, which is as follows:

Telephone dialer module with built-in V.34 modem

Any use outside of this area is not provided and it is not possible to guarantee its proper operation, and therefore it is expressly forbidden to the holder of this manual to use it for other reasons than those indicated.

The manufacturing process is carefully controlled to prevent defects and malfunctions; nevertheless the components used is subjected to faults extremely low percentage, as indeed it does for every other electronic or mechanical.

Given the target of this article (property and persons protection) invite the user to proportion the protection level offered by the system to the actual risk (considering the possibility that the system it is operating in degraded mode due to faults or other), reminding that there are clear rules for the design and construction of equipment to this type of application.

The system's operator is hereby advised to see regularly to the periodic maintenance of the system, at least in accordance with the provisions of current legislation, as well as to carry out checks on the correct running of said system on a regular basis as the risk involved requires, with particular reference to the control unit, sensors, sounders, dialler(s) and any other device connected. The user must let the installer know how well the system seems to be operating, based on the results of periodic checks, without delay.

Design, installation and servicing of systems which include this product, should be made by skilled staff with the necessary knowledge to operate in safe conditions in order to prevent accidents. These systems' installation must be made in accordance with the laws in force. Some equipment's inner parts are connected to electric main and therefore electrocution may occur if servicing was made before switching off the main and emergency power. Some products incorporate rechargeable or non rechargeable batteries as emergency power supply. Their wrong connection may damage the product, properties and the operator's safety (burst and fire).

EU DECLARATION OF CONFORMITY

The product complies with current European EMC and LVD directives. The full text of the EU declaration of conformity is available at the following Internet address: elmospa.com – registration is quick and easy.



1. GENERALS

The MDPSTN module has been developed for VILLEGGIO control unit and other compatible devices. It has the following general features:

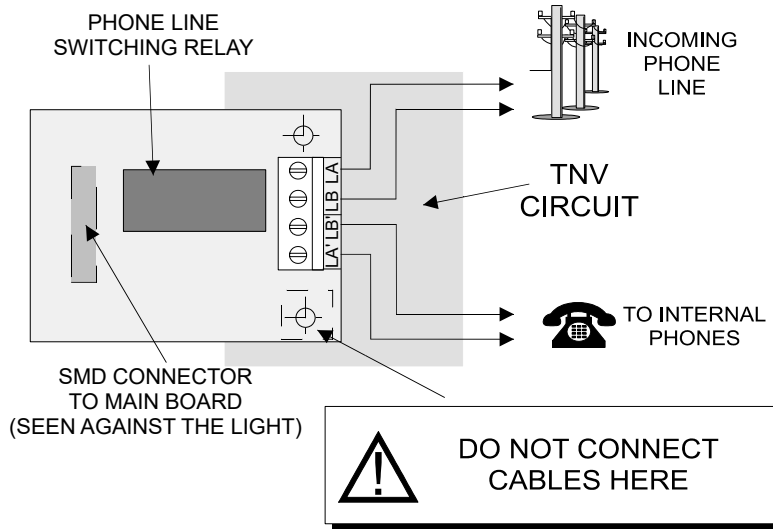
- **Module equipped with line sectioning relay.**
- **Supports the connection to an analogue telephone line.**
- **Allows the alarm transmission via Contact-ID to surveillance institutes or other control centres.**
- **It embeds a V.34 Modem 33.6 kbps for programming remotely.**
- **Can be used in many countries by programming the Country Code via browser.**
- **Detects the telephone line presence.**
- **Enables the alarm voice message sending via telephone line.**
- **Allows remote assistance and environmental listening remotely.**
- **The module operates in a low consumption mode.**
- **The PSTN connection is classified ATS2 /SP2. Reference regulation: EN50136-2:2013.**

2. FEATURES

Model:	MDPSTN
IMQ certified:	EN 50136-2.
ATS category:	SP2.
Power supply:	DC12V.
Power consumption:	2mA idle state, 56mA maximum in digital transmission.
Connections:	telephone line input terminal, derivation telephones terminal.
Connections to the base board:	miniaturized multi-polar connector
Installation:	plug with fixing clips.
Dimensions:	W 63 x H 48 x D 21 mm.
Weight:	30 g.
Parts supplied:	fixing Nylon clips, technical manual.
Certifications:	the module is an apparatus accessory provided with CE certification, is equipped with PTLM n°10013 report test with tests carried out according to TBR21.

3. INSTALLATION AND ELECTRICAL CONNECTIONS

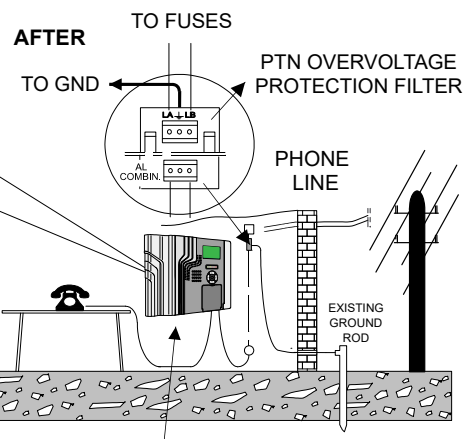
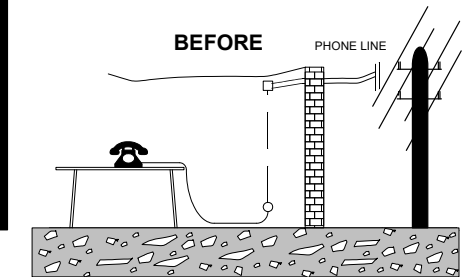
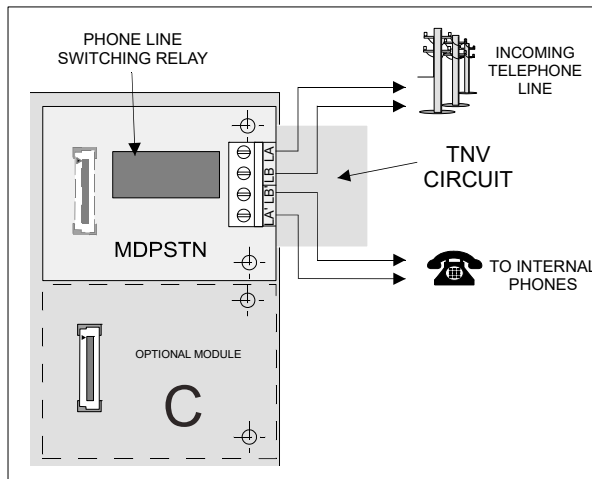
To install the module, follow the instructions and warnings contained in the manuals of the compatible control units.
View of the terminal connection.



The PSTN connection is classified ATS2/SP2 for message sending.
Reference regulation: EN 50136-2:2013.

Telephone connection example in the VILLEGGIO control unit.

WARNING: UNIT TELEPHONE INTERFACE HAS NOT BEEN DESIGNED TO OPERATE OVER ISDN LINES.
IF THIS COMMUNICATION MODE IS ACTIVE WHEN THE UNIT IS INSTALLED, CONNECT TELEPHONE INTERFACE TO THE LINE DERIVED FROM ISDN DEVICE PLUG NO.1 (e.g. NT1PLUS) THAT WILL WORK ALSO IN CASE OF POWER FAILURE.
IF YOU INSTALL NT1PLUS DEVICE WHEN UNIT IS ALREADY WORKING, MOVE PHONE CONNECTIONS TO PLUG NO.1.
MAKE SURE NT1PLUS DEVICE IS PROGRAMMED TO COMMUNICATE WITH HIGH TONES (see NT1PLUS MANUAL).
UNIT'S DIALLER HAS TO BE SET TO WORK WITH DTMF TONES.



VILLEGGIO SERIES UNITS REQUIRE THE INSTALLATION OF MDPSTN OPTIONAL MODULE

4. DISPOSAL INSTRUCTIONS

Dispose of MDPSTN in accordance with current city regulations and by leaving the device in a dumping ground which is authorized for the disposal of electronic products; if required, please contact the appropriate city office for additional information.

The material used for this product is very harmful and polluting if dispersed in the environment.

Ethernet modules for VILLEGGIO control unit and compatible devices mod. MDPSTN
TECHNICAL MANUAL - April 2018 edition

090050704

The information and product features herein are not binding and may be changed without prior notice.

EL.MO. SpA Via Pontarola, 70 - 35011 Campodarsego (PD) - Italy
Tel. +390499203333 (R.A.) - Fax +390499200306 - Help desk +390499200426 - www.elmospa.com - international@elmospa.com