

CTA01

Cable tail adapter for PD900, PD910, PD920, PD950DC, PD950NW

DESCRIPTION

The CTA01 is a cable tail adapter, for PD900, PD910, PD920, PD950DC, PD950NW. It converts the camera into a cable tail model. It also includes an anti-drop protection inside. NPT 1.5" tapered for use with third party mounts.

FEATURES

Aluminum

NPT 1.5" tapered

3-opening gland



Features

The CTA01 is a cable tail adapter. It essentially converts the camera into a model that connects using a cable tail rather than the standard connection terminals on the inside of the camera. The CTA01 will convert the camera into an intrinsically waterproof one, such that no special installation attention is required for the mounting, particularly to third party mounts. The used cable or cables are sealed by means of a sturdy gland on top of the CTA01, allowing up to three cables to be used.

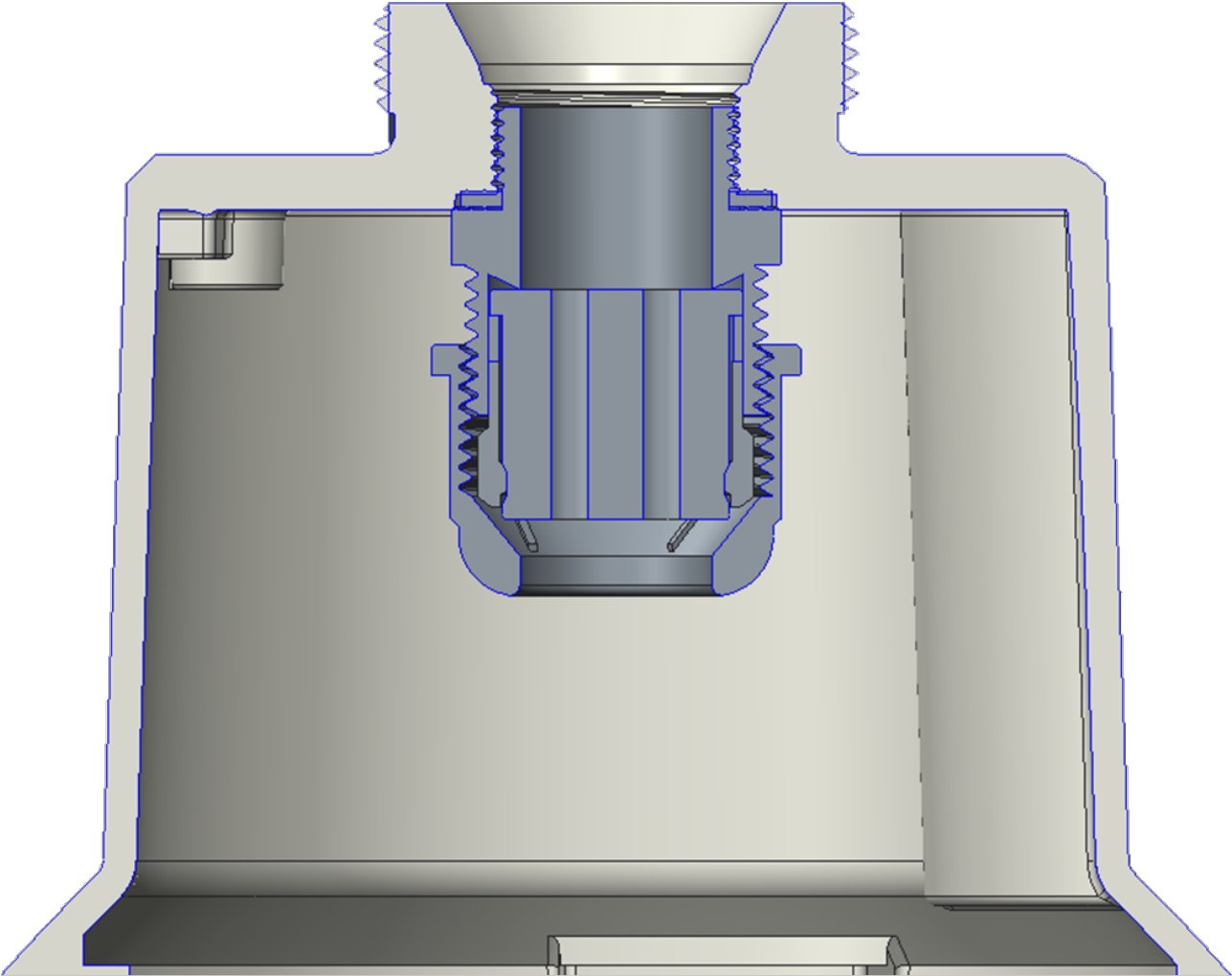
Inside the CTA01, an anti-drop protection cable is pre-assembled. This allows for easy and safe installation of the camera.

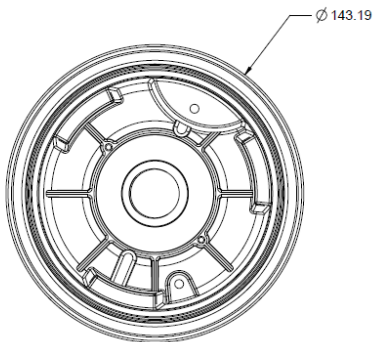
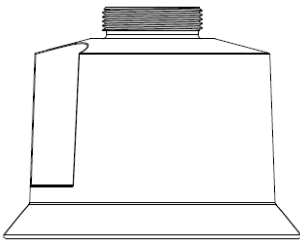
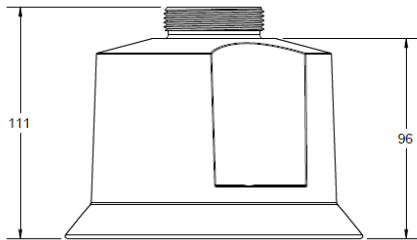
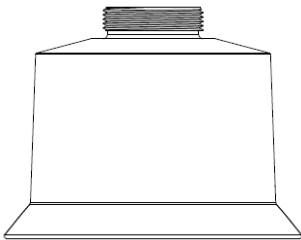
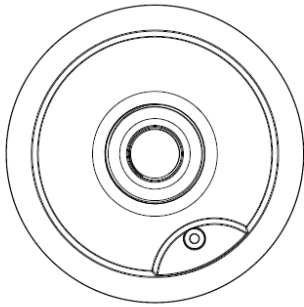
Mechanical

Material	Aluminum, Plastic
Color	Signal White
Dimensions (H x W x D)	xx
Weight	xx

Ordering Information

CTA01	Cable tail adapter for PD900, PD910, PD920, PD950DC, PD950NW
-------	--





RELATED



Siqura PD900
3 MP High-speed PTZ dome camera 30x zoom



Siqura PD910
3 MP high-speed PTZ camera with 40x zoom, IR



TKH Security PD950DC
5 MP High-speed outdoor PTZ dome camera 40x zoom



TKH Security PD950NW
5MP intelligent IP outdoor PTZ camera 40x zoom, IR
