

SA-PTZ SERIES

Safe Area PTZ Camera 316L

DESCRIPTION

The SA-PTZ camera housing is a rugged corrosion proof PTZ camera station designed for use in onshore, offshore, marine and heavy industrial environments. The camera housing is constructed from electro-polished 316L stainless steel for maximum corrosion protection and is fitted with an 316L sun-shield, a thermostatically controlled heater, and integrated wiper. Combined with a IP zoom camera the SA-PTZ transforms in a full featured PTZ camera station. The housing is not sold separately, it is only available in combination with a Siqura daylight camera module, such as the BC822v2H3-AS or the 22x zoom 4K BC980H2-AS, and an 100Mb Ethernet interface (INT-RJ).

FEATURES

Corrosion protected 316L stainless-steel

Ingress protection rating IP66 and IP67

360° Continuous rotation, -90° to +90° tilt range

Integrated power supply (24, 115 or 230 Vac)

Integrated heater and wiper

Electro-polished 316L sun-shield

Low maintenance



Description

Corrosion free 316L construction

The compact SA-PTZ is designed to withstand the heavy mechanical stress and vibration on board a marine vessel. The PTZ camera is made of corrosion proof 316L stainless steel suited to operate in salty or sulfur rich environments.

Integrated wiper and heater

The camera is standard equipped with wiper and prepared for installing a washer hose and nozzle. A 10 litre washer tank with pump and hose is sold separately. The built-in heater regulates the humidity inside the camera and prevents ice or condensation to form on the camera's window.

Special options

This camera is normally used in upright position, in special cases it is possible to have this camera modified mount it up-side down. Vessels that operate in polar regions require ICE Class cameras, running at an ambient temperature down to -30°C. These temperatures require different sealing materials and grease. Please, contact Siqura for these special models.

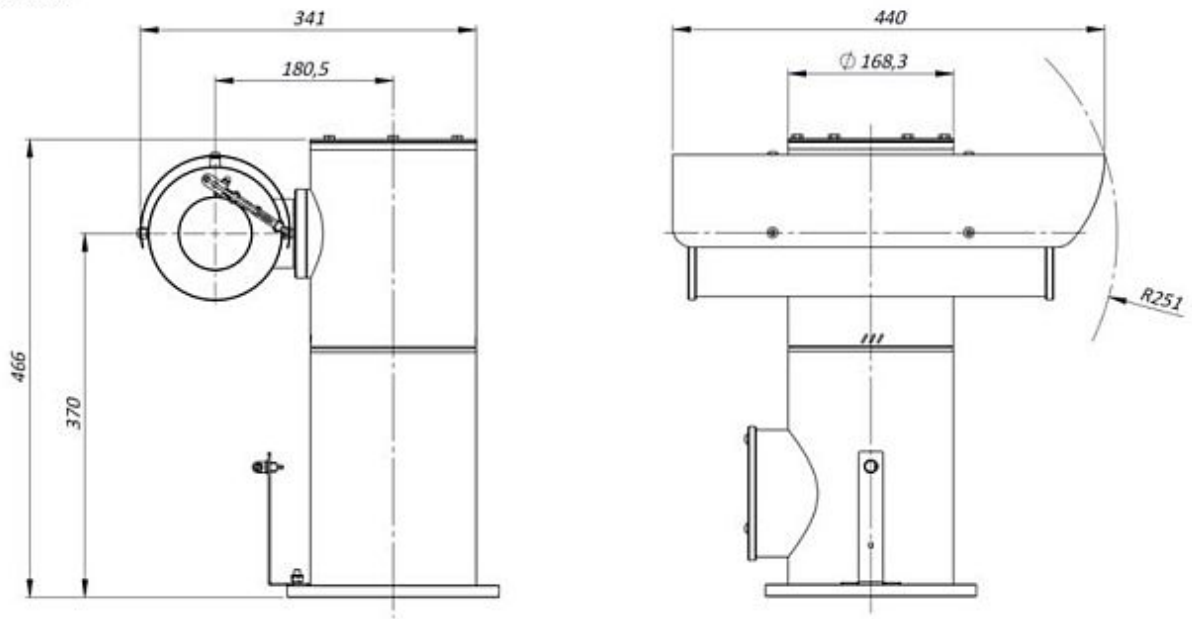
Mechanical	
Ingress protection rating	IP66 / IP67
Impact rating (casing)	IK10
Body material	Electro-polished 316L stainless steel
Widow	High grade optical glass
- Size	diameter 72 mm
Sunshield	Standard
Rotation	360° Continuous rotation
Tilt angle	+90° to -90°
Variable speed	up to 36°/sec pan and 18°/sec tilt (peak)
Drive mechanism	Direct drive
Backlash	<0.1°
Preset accuracy	0.04°
Operating temperature	-20 °C to +75 °C (-4 °F to +167 °F)
Cable entry	2x M25
Weight	25 kg

Electrical			
Power rating	SA-PTZ24	SA-PTZ115	SA-PTZ230
- Voltage	24 Vac +/-10%	115 Vac +/-10%	230 Vac +/-10%
- Frequency	50/60Hz	50/60Hz	50/60Hz
- Dissipation	80 W max	80 W max	80 W max
Internal Heater	Standard		
- Heater control	On: 12°C +/- 4°C; Off: 20°C +/- 3°C		
- Heater power dissipation	18W		
Integrated wiper	Standard		
- Wiper dissipation	4 W		
Washer	Optional (SA-WP10)		

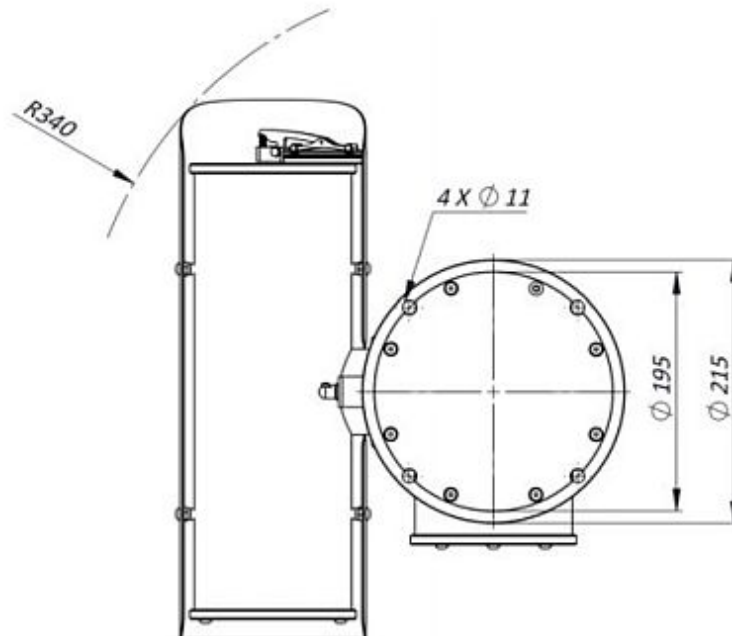
Ordering information	
SA-PTZ24	Safe Area PTZ Camera 316L 24VAC
SA-PTZ115	Safe Area PTZ Camera 316L 115VAC
SA-PTZ230	Safe Area PTZ Camera 316L 230VAC

Maintenance kits	
EX/SA-MK Wiper	Maintenance kit for the wiper: Rubber blade and support
EX/SA-Wiper	Replacement for Stainless steel wiper (complete assembly)

Dimensions



Mounting pattern:



All dimensions in mm

RELATED



Siqura BC822v2H3-AS

Assembly 33x zoom IP camera, 3MP, AF, Day/night, H.265/H.264



TKH Security BC980H2-AS

8MP IP Box camera with integrated 22x zoom lens



Siqura SA mounting accessories

316L Mounting accessories for the SA-FIX and SA-PTZ series



Siqura INT-RJ / INT-SM / INT-MM

Network Interface and cable tail of the Siqura SA or EX cameras



Siqura WP10

10l washer tank, pump 10m, float switch, 316L frame
