

Touch_IT-AC4

Data sheet



Touch_IT-AC4

The 4.3" IPS display with 800 x 480 pixels and 16M colors is used for visualization and control in KNX systems.

The Touch_IT-AC4 has a very low installation depth of 10.5 mm and has an integrated infrared temperature sensor.

The SD card and the USB port are accessible from the outside.

The device is supplied with a mounting ring. A locking screw is used for fastening in a standard (60/68 mm) flush-mounted box.

The installation direction is either horizontal or vertical.

The Touch_IT-AC4 has an integrated KNX bus coupler and requires an additional voltage of 9 .. 32VDC / 2.5W.

Various operating elements are available for the application software.

The Touch_IT-AC4 must be projected with the ETS (EIB Tool Software) and the application program **TouchIT_V2.knxprod.** > see also

1300_Manual_Touch_IT_series.pdf

Operating elements and page layout can be configured via the ETS.



Technical and functional basic data

- 4.3" IPS display with 800 x 480 pixels and 16M colors
- Capacitive touch screen
- Internal temperature sensor with IR measurement
- Optional external 1-Wire temperature sensor instead
- Complete commissioning via ETS5®
- Linux operating system for easy system expansion
- MicroSD card slot for memory expansion (without card)
- USB port for configuration
- Power supply with 2nd pair of wires or via USB port
- KNX bus load <=10mA
- Installation in standard flush-mounted box 68mm



Touch_IT-AC4	Aluminium schwarz	22414104
Touch_IT-AC4	Aluminium silber	22414103

Other surfaces on request

Main features

- 6 display pages, each with up to 8 control elements, each with up to 4 KNX communication objects
- Switching and dimming of the lighting
- RGB control with color picker
- Display of the switching status in the building
- Handling of shutters/blinds
- Audible and visual alarm functions
- Display of object states as plain text
- Display and setting of heating control parameters
- Control of multiroom audio systems
- Display of temperatures
- Weekly timer | Astronomical timer for sunset/sunrise controlled controls
- Data logging and on-display graphing capability
- Internal scenes with 32 action objects and programmable delays
- Logic functions can be implemented in a scripting language
- Separate display page for alarm purposes
- Each page and element can be protected by global or dedicated passwords
- Different layouts, visual styles and standby options
- Many languages available
- Character sizes and styles are selectable
- Possibility for custom layouts, icons, screensavers, etc.

e 3 / Subject to change

Technical specifications	
Display	4.3" IPS display 800 x 480pixels 16M colors
Processor	ARM processor 8 Core, 1.2GHz
Operating system	Linux
Memory	8 GB internal flash memory
	1 GB of RAM
Backlight	LED backlight
Parameterization	ETS5®
Functionality	>70 different functions for each GUI element
Max. number of elements	8 elements per page (each with up to 4 objects)
Max. number of pages	5 control pages + 1 alarm page or 6 control pages
Ambient temperature, storage	-5 .. +45°C
Ambient temperature, operation	-20 .. +55 °C
Bus voltage	21..32 VDC
Bus power	Max. 10mA
Additional voltage	9..32 VDC/ 2.5 W
Bus coupling module	Integrated
Commissioning via ETS	Touch_IT_V2.knxprod
In wall connections	KNX 2-pin Terminal (red / black) AUX 2-pin. Clamp (yellow/ white)
Connections outside	MicroUSB connector, Slot for MicroSD card
Integrated temperature sensor	Infrared
Degree of protection	IP20
Installation type	flush mounting
Installation orientation	Optional horizontal or vertical (selected during installation)
Housing	Aluminum Black, Aluminium Silver
Case dimensions	(128 x 80.5 x 10.5) mm
Article number	22414104, 22414103

Electrical safety

Degree of pollution: 2 (EN 60664-1)
 Degree of protection: IP20 (EN 60529)
 Protection class: III (IEC 1140)
 Overvoltage class: III (IEC 664-1)
 Bus: SELV: 21 ÷ 32 VDC
 Reference standards: EN 63044-3

Electromagnetic compatibility

Reference standards: EN 63044-5-1 / EN 63044-5-2

Environmental specification

Reference standards: EN 50491-2
 Operating temperature -5°C +45°C
 Storage temperature: -20 °C +55 °C max. 90%
 Relative humidity (non-condensing): max. 90%
 Installation environment: indoors, dry places

Behavior on bus voltage recovery

All settings made with the ETS are retained.

Unload program and reset device

If the visualization does not react due to a malfunction or an incorrect configuration of the programming, the device can be reset to the delivery status. Disconnect USB and AUX and reconnect one of them. When the penguins appear, press anywhere on the touchscreen and hold until the reset menu appears. Confirm by pressing Reset. Then you can transfer your project again.

Temperature calibration

The correct temperature measurement is verified in the factory; however, it is necessary to follow some indications to obtain more precise and reliable measurements.

The flush-mounted box may be subject to air flows, for example from the pipe that carries the bus cable to the device: it is recommended to seal the pipe and protect the device with insulating material.

The temperature measured by the device installed on the wall may be different from that in the center of the room since the walls may be warmer or colder than the air. This depends on several factors: internal or external walls, direct or radiated heat sources nearby.

It is suggested to measure the temperature in the center of the room with a reliable instrument and set the KNX calibration parameter of the internal sensor so that the instrument and device measurements are the same.

The temperature measured by the device is often closer to human perception than a pure air temperature measurement, since the radiation effects of the walls are not considered there.

Connector description

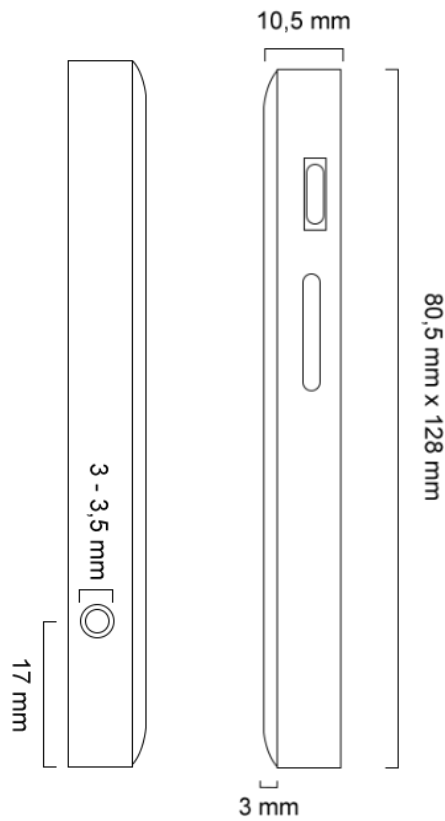
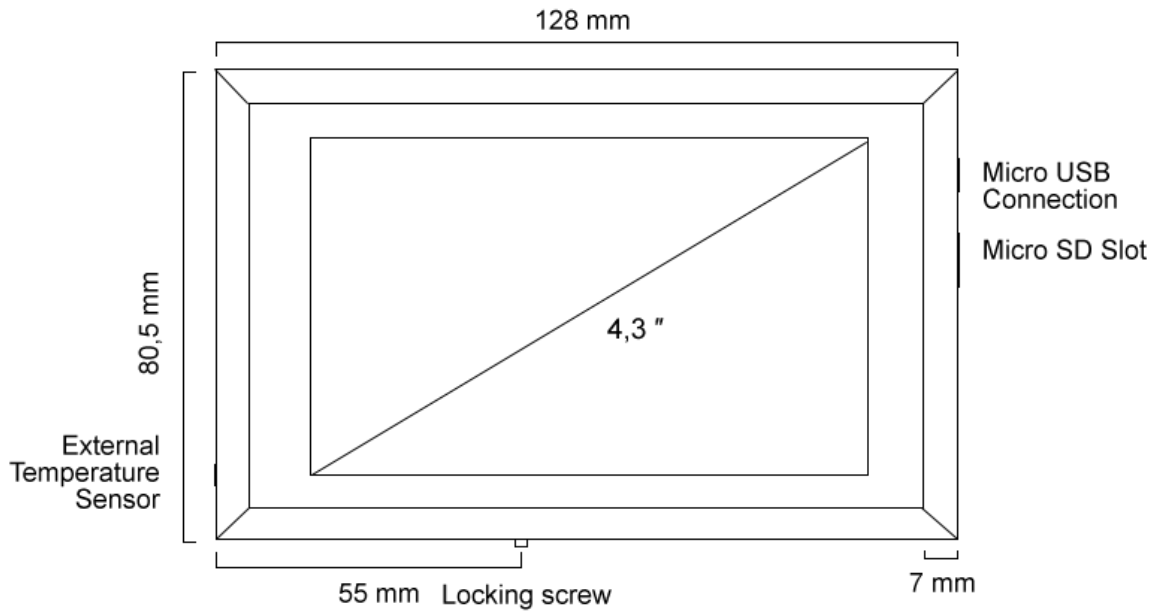


Commissioning

The KNX display is commissioned via the ETS (EIB Tool Software) and the corresponding application software. When delivered, the device is unprogrammed. All functions must be parameterized and programmed via the ETS.

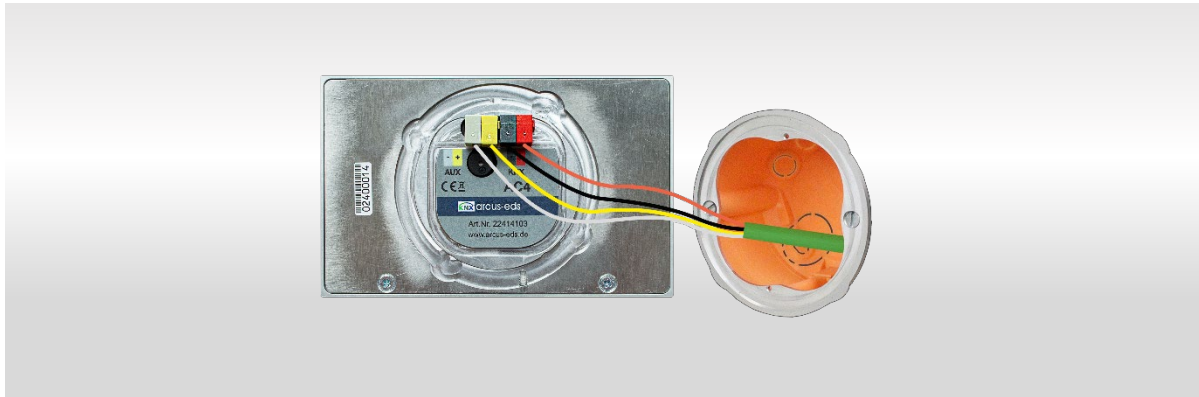
See also >1300_ManualTouch_IT_series

Dimensions



e 3 / Subject to change

Installation



The display is designed for flush mounting. The degree of protection is IP20.
It is mounted using the supporting ring, a locking screw type Torx-6 is used for fixing.

Please be careful not to damage electronic parts with tools or cable ends during installation.

The installation direction is either horizontal or vertical.

When starting the device (AUX or USB), landscape or portrait mode of the installation layout is adjusted.
Flush-mounting takes place on the support ring by turning to the right.



* Secured by locking screw

The device may be used for permanent indoor installation in dry rooms within wall socket brackets.

WARNING

- The device must not be connected to 230V lines
- The applicable safety regulations must be observed.
- The device may only be installed and commissioned by authorized specialist personnel.
- The applicable safety and accident prevention regulations must be observed.
- The device must not be opened. All faulty devices are to be returned to the manufacturer.
- When planning and installing electrical systems, the relevant guidelines, regulations and standards of the respective country must be considered.
- The KNX bus allows commands to be sent to the system's actuators.
- Always make sure that executing remote commands does not lead to dangerous situations and that the user always gets a warning about which commands can be activated remotely.
- The KNX bus is generally not suitable for security-related installations.

Imprint

Publisher: Arcus-EDS GmbH, Rigaer Str. 88, 10247 Berlin
Responsible for the content: Hjalmar Hevers, Sascha Bergmann

Reprints, including excerpts, are only permitted with the approval of Arcus-EDS GmbH.
All information without guarantee, subject to technical changes and price changes.

Liability

The selection of the devices and the determination of the suitability of the devices for a specific purpose are solely the responsibility of the purchaser. No liability or guarantee is assumed for these. The information in the catalogs and data sheets does not represent a guarantee of particular properties, but results from empirical values and measurements. Liability for damage caused by incorrect operation/project planning or malfunctions of the devices is excluded. Rather, the operator/planner must ensure that no further damage can occur as a result of incorrect operation, incorrect configuration and malfunctions.

Safety regulations

Caution! Installation and assembly of electrical devices may only be carried out by a qualified electrician. The buyer/operator of the system must ensure compliance with the relevant safety regulations of the VDE, TÜV and the responsible energy supply companies. No warranty is accepted for defects and damage caused by improper use of the devices or non-observance of the operating instructions.

Disposal



The crossed-out wheeled bin symbol on the device or packaging means that the product must not be disposed of with other general waste at the end of its useful life.

Warranty

We provide warranty within the scope of the legal provisions.
In the event of a claim, please contact us and send the device, with a description of the error, to our company address below.

Manufacturer



The CE mark is a free trade mark, which is aimed exclusively at the authorities and does not include any assurance of properties



Registered trademark of the Konnex Association