



CE

 [®] BY **ELIMO** S.p.A.
Global Security Solutions

**Additional sounders
mod. EL/7 and EL/7A
TECHNICAL MANUAL**

09001153

FOREWORD

FOR THE INSTALLER:

Please follow carefully the specifications relative to electric and security systems realization further to the manufacturer's prescriptions indicated in the manual provided.

Provide the user the necessary indication for use and system's limitations, specifying that there exist precise specifications and different safety performance levels that should be proportioned to the user needs. Have the user view the directions indicated in this document.

FOR THE USER:

Periodically check carefully the system functionality making sure all enabling and disabling operations were made correctly.

Have skilled personnel make the periodic system's maintenance. Contact the installer to verify correct system operation in case its conditions have changed (e.g.: variations in the areas to protect due to extension, change of the access modes, etc.).

This device has been projected, assembled and tested with the maximum care, adopting control procedures in accordance with the laws in force. The full correspondence to the functional characteristics is given exclusively when it is used for the purpose it was projected for, which is as follows:

Additional sounders

Any use other than the one mentioned above has not been forecasted and therefore it is not possible to guarantee its correct operativeness.

The manufacturing process is carefully controlled in order to prevent defaults and bad functioning. Nevertheless, an extremely low percentage of the components used is subjected to faults just as any other electronic or mechanic product. As this item is meant to protect both property and people, we invite the user to proportion the level of protection that the system offers to the actual risk (also taking into account the possibility that the system was operated in a degraded manner because of faults and the like), as well as reminding that there are precise laws for the design and assemblage of the systems destined to these kind of applications.

The system's operator is hereby advised to see regularly to the periodic maintenance of the system, at least in accordance with the provisions of current legislation, as well as to carry out checks on the correct running of said system on as regular a basis as the risk involved requires, with particular reference to the control unit, sensors, sounders, dialler(s) and any other device connected. The user must let the installer know how well the system seems to be operating, based on the results of periodic checks, without delay.

Design, installation and servicing of systems which include this product, should be made by skilled staff with the necessary knowledge to operate in safe conditions in order to prevent accidents. These systems' installation must be made in accordance with the laws in force. Some equipment's inner parts are connected to electric main and therefore electrocution may occur if servicing was made before switching off the main and emergency power. Some products incorporate rechargeable or non rechargeable batteries as emergency power supply. Their wrong connection may damage the product, properties and the operator's safety (burst and fire)

YOUR DEALER:



1. GENERALS

EL/7 siren is designed as an additional indoor sounder. Its plastic case features a modern and elegant design, suitable for siting in any environment.

EL/7A siren is supplied with self-powered circuit, using an internal 9V battery (not supplied) and it allows to activate the siren in case of alarm of the control unit, the connection to the reference stops when sound activity is enabled, at the end the control voltage is supplied again setting the siren on idle status.

The self-powered version is supplied with a TAMPER button with two functions, against opening of the lid and removal from wall with welded contacts.

2. FEATURES

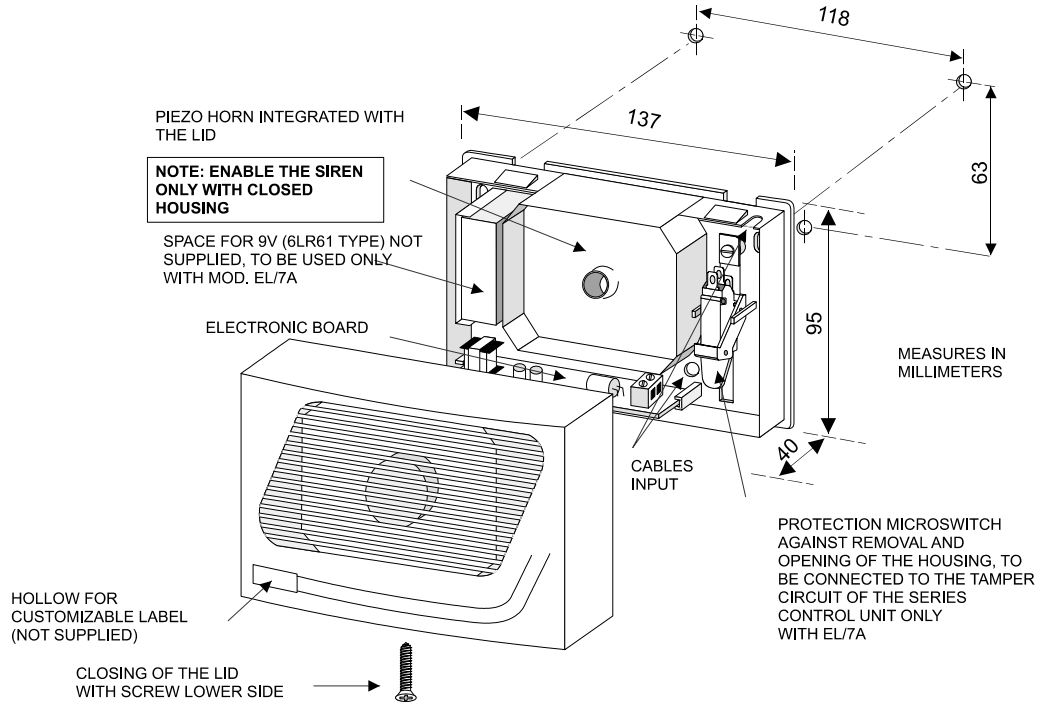
Model:	EL/7	EL/7A
Protection rate:	IP3X	
Regulations:	compliant with EN50131-4 grade 2, class II	
Nominal voltage:	12Vcc on alarm state.	13,8Vcc always present.
Min. and max. voltage:	9 - 15Vcc	
Operating nominal voltage:	13,8Vcc	
Power consumption:	340 mA max. @12Vcc	310 mA max. @12Vcc
Alarm time:	depending on the control unit.	
Reference time		From 7 to 14Vcc with voltage drop on the positive.
Sound pressure:	102 dB(A) at 12Vcc at 3 meters only with closed lid.	
Fundamental frequency:	2750 Hz +/- 200 Hz a 12Vcc	
Sound:	bitonal.	
Protections:		Microswitch with series clamping bracket.
Case:	white color ABS with lower fixing screw	
Operating temperature:	+5 / +40 °C IMQ certified, -25 ° / +55°C certified by the manufacturer.	
Weight	160 g	180 g
Parts supplied:	technical manual.	

EU DECLARATION OF CONFORMITY

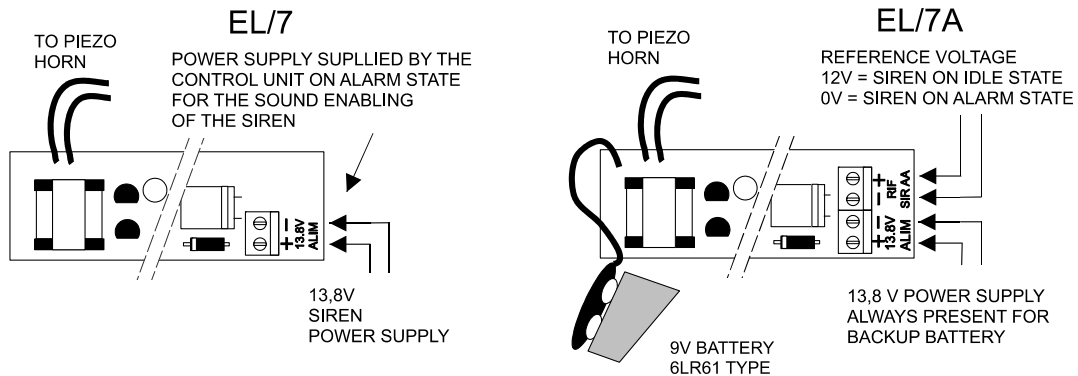
The product complies with current European EMC and LVD directives. The full text of the EU declaration of conformity is available at the following Internet address: elmospa.com – registration is quick and easy.



3. EXPLODED VIEW OF THE SIREN AND MECHANICAL FEATURES



4. ELECTRICAL CONNECTIONS



5. DISPOSAL INSTRUCTIONS

Dispose of EL/7 and EL/7A in compliance with current city regulations and by leaving the device in a dumping ground which is authorized for the disposal of electronic products; if required, please contact the appropriate city office for additional information.

The material used for this product is very harmful and polluting if dispersed in the environment.

6. INDEX

1. GENERALS	3
2. FEATURES	3
3. EXPLODED VIEW OF THE SIREN AND MECHANICAL FEATURES	4
4. ELECTRICAL CONNECTIONS	4
5. DISPOSAL INSTRUCTIONS	4
6. INDEX	4