

KRYPTO

HIGH SECURITY SOLUTION

K4

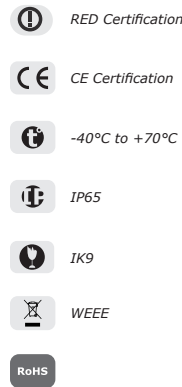
KRYPTO Bluetooth Keypad/Reader

Radio equipment for access control applications.

CDVI's economical KRYPTO K4 keypad and card reader makes high security easy!

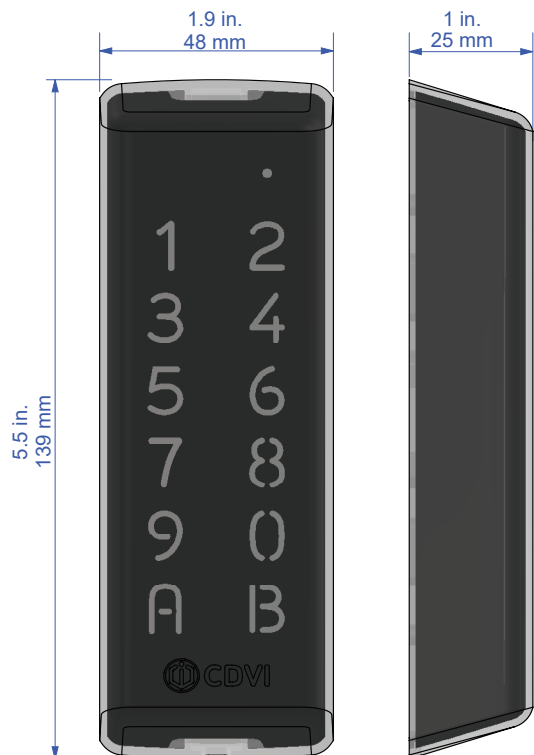
KRYPTO K4 Mifare® DESFire® EV2® keypad reader combined with CDVI EV2 credentials work right out of the box. No fastidious and complicated programming required!

Factory-programmed, industry-unique secure CDVI protocol and encryption keys ensure end-to-end encryption between the card, reader and A22K door controller.

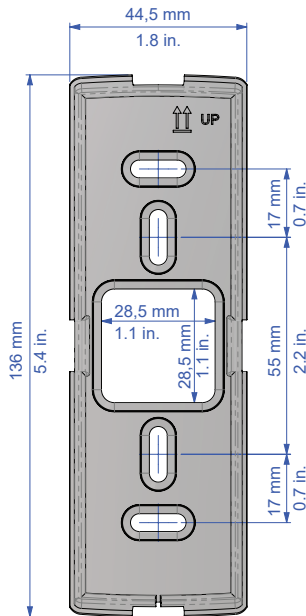


We CDVI declare that the K4 radio equipment complies with directive 2014/53/UE. The full text of the EU declaration is available at www.cdvi.com

- Easy to use & FULLY secure CDVI protocol using authentication with diversified keys
- Reads 13.56 MHz Mifare Classic and DESFire EV2 credentials
- OSDP-2 compatible
- Bluetooth
- Up to 2 in. (5cm) read range
- Power requirements: 12V dc
- Current consumption : 200mA



MOUNTING



LED STATUS INDICATORS

Here are the LED status when connected to an A22K ATRIUM controller :

LED State	Buzzer	Description
Steady blue	-	Standby (door secure)
LED green 5 sec.	Chirp beep	Access granted
5 rapid red blinks	Steady beep for 3 sec.	Access denied
Flashing blue	-	Reader compromised (lost its encryption key)
Blinks green every 3 sec.	-	Door unlock schedule
Flashing red	Steady beep	Door forced alarm
Flashing red	Beep every 2 sec.	Door open too long pre-alarm
Flashing red rapidly	Fast beep	Door open too long alarm

Note:

Door output timings such as; unlock time (access granted), door open too long pre-alarm and door open too long alarm, can be modified in the ATRIUM software "Door Properties" window.

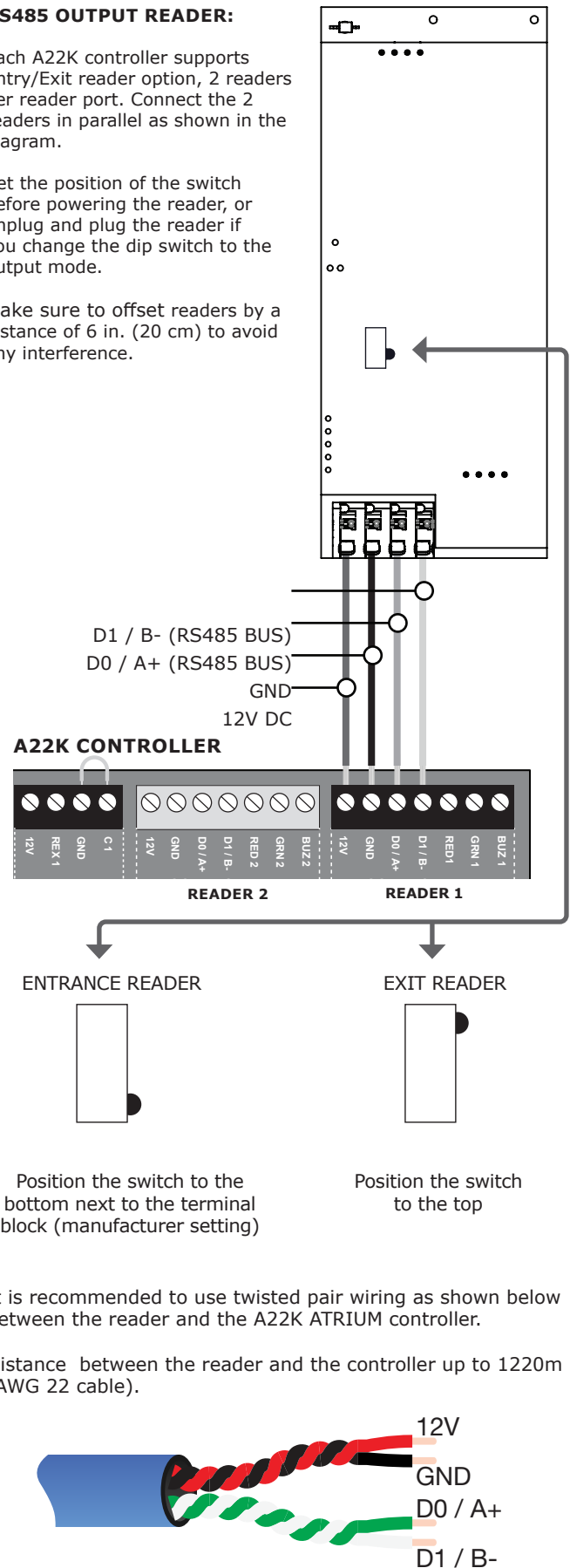
WIRING DIAGRAM

RS485 OUTPUT READER:

Each A22K controller supports Entry/Exit reader option, 2 readers per reader port. Connect the 2 readers in parallel as shown in the diagram.

Set the position of the switch before powering the reader, or unplug and plug the reader if you change the dip switch to the output mode.

Make sure to offset readers by a distance of 6 in. (20 cm) to avoid any interference.



It is recommended to use twisted pair wiring as shown below between the reader and the A22K ATRIUM controller.

Distance between the reader and the controller up to 1220m (AWG 22 cable).

