



AC Cloud Control

INWFIPAN001I1XX

Wi-Fi interface for Panasonic air conditioners

1. Dimensions

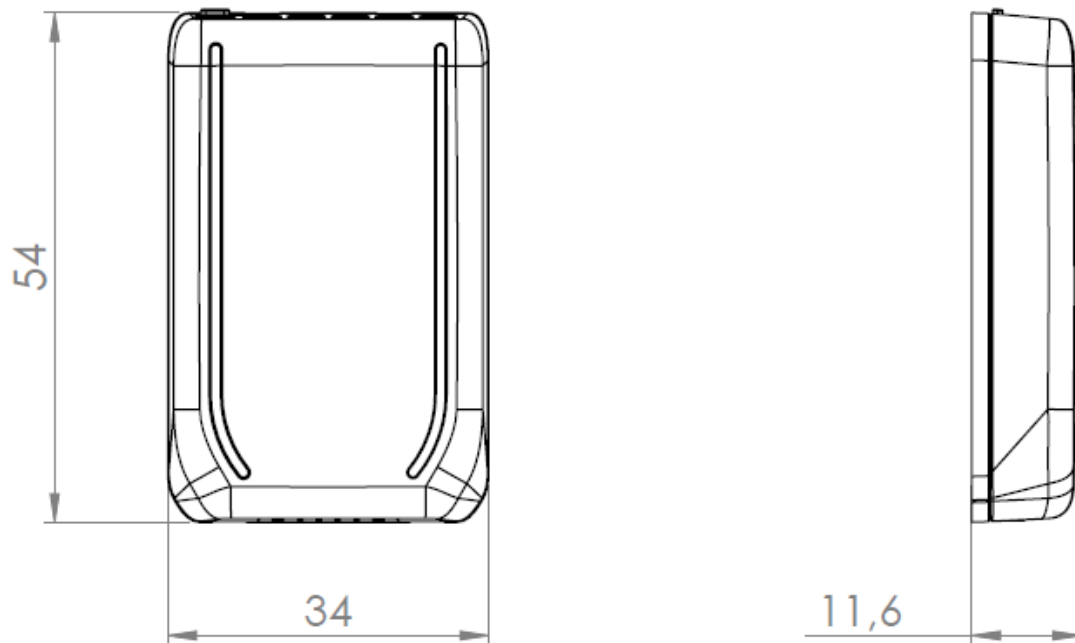


Figure 1.1 AC Cloud Control device dimensions in mm

2. Technical Features

Enclosure	ABS (UL 94 V-0)
Protection	IP20
Dimensions	34 x 54 x 12 mm
Weight	20g
Dimensions (including packaging)	133 x 135 x 35 mm
Weight (including packaging)	120 g
Colour	Light grey NCS S 1002-B
Power supply	12V, 50mA typical Doesn't require external power supply (supplied by the AC Unit) Connection cable supplied
Radio Parameters	Wi-Fi 802.11 (b/g/n) RF Frequency band: 2.4 GHz. <i>Consult annex 1 for further information</i> Output power (average): 8 dBm (<i>Modulated signal at antenna chip; 11Mb/Sec.</i>) Bluetooth v4.2 BR/EDR and BLE specification
Mounting	Inside or Outside AC unit
LED indicators	1 x Device status
Operating Temperature	From 0°C to 70°C
Storage temperature	From -20°C to 85°C
Operating humidity	5% to 95% HR, no condensation
Storage humidity	<93% HR, no condensation
Certifications	CE conformity to EMC directive (2014/53/EU). <ul style="list-style-type: none"> • EN 62368-1:2014 + A11:2020 • AS/NZS 62368.1:2018 • ETSI EN 300 328 V2.2.2 • ETSI EN 303 446-1 V1.2.1 • ETSI EN 301 489-17 V3.2.4 • ETSI EN 301 489-1 V2.2.3 • ETSI EN 301 446-1 V1.2.1 • EN 55032:2015 + AC:2016 + A11:2020 • EN 55035:2017 + A11:2020 • Regulations: FCC/IC Standards: Title 47 CFR Part 15B ICES-003 (<i>Issue 7</i>)

Table 2.1 Technical features

Annex 1

The device can be configured in 3 different RF Modes:

- USA: 2412 – 2462 MHz (11 channels)
- Europe: 2412 – 2472 MHz (13 channels)
- Japan: 2412 – 2484 MHz (14 channels)

The factory settings are set to work in the most restrictive mode, USA: 2412 – 2462 MHz. Therefore, if the user doesn't change any of these parameters, the gateway is compliant with the most restrictive RF regulations, stricter than European's.