

SA-PTZ L SERIES

Safe Area PTZ Camera 316L connected direct to fiber

DESCRIPTION

The SA-PTZL camera housing is a rugged corrosion proof PTZ camera station designed for use in onshore, offshore, marine and heavy industrial environments. The camera housing is constructed from electro-polished 316L stainless steel for maximum corrosion protection and is fitted with an 316L sun-shield, a thermostatically controlled heater, and integrated wiper. Combined with a IP zoom camera the SA-PTZ L transforms in a full featured PTZ camera station. The housing is not sold separately, it is only available in combination with a Siqura daylight camera module, such as the BC822v2H3-AS or the 4K BC980H2-AS, and an single mode fiber optic Ethernet interface (INT-SM).

FEATURES

Corrosion protected 316L stainless-steel

Ingress protection rating IP66 and IP67

360° Continuous rotation, -90° to +90° tilt range

Integrated power supply (24, 115 or 230 Vac)

Integrated heater and wiper

Electro-polished 316L sun-shield

Integrated Fiber Optic interface (INT-SM)

Low maintenance



Description

Corrosion free 316L construction

The compact SA-PTZ L is designed to withstand the heavy mechanical stress and vibration on board a marine vessel. The PTZ camera is made of corrosion proof 316L stainless steel suited to operate in salty or sulfur rich environments.

Integrated wiper and heater

The camera is standard equipped with wiper and prepared for installing a washer hose and nozzle. A 10 liter washer tank with pump and hose is sold separately. The built-in heater regulates the humidity inside the camera and prevents ice or condensation to form on the camera's window.

Direct to fiber

This camera is specially made for fitting a optical fiber media converter in the base of the unit. This INT-SM feature has to be ordered separately, like the BC822v2H3-AS or BC980H2-AS optical camera.

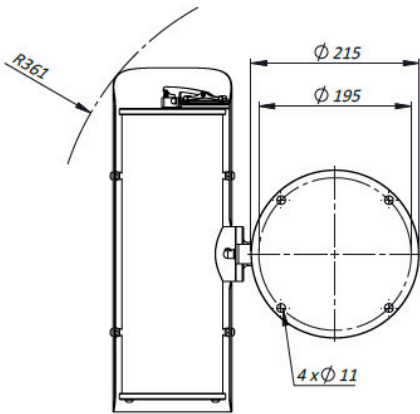
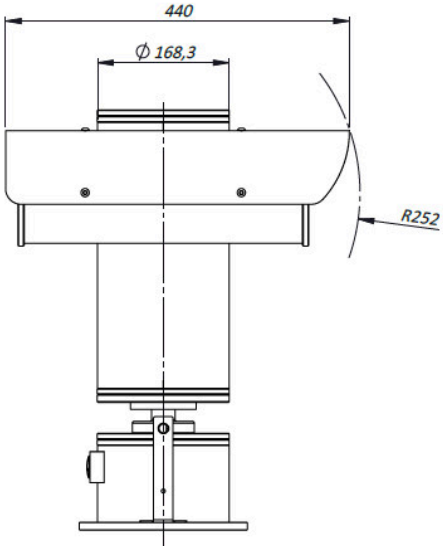
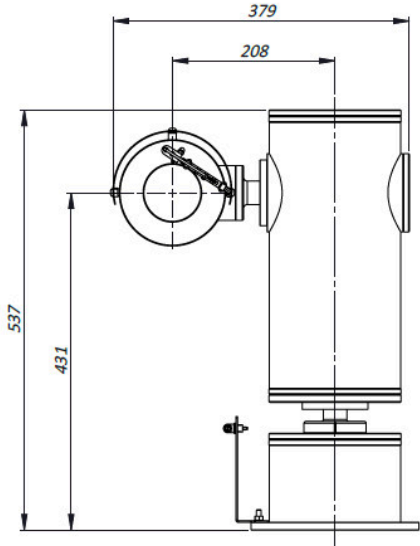
Mechanical	
Ingress protection rating	IP66 / IP67
Impact rating (casing)	IK10
Body material	Electro-polished 316L stainless steel
Widow	High grade optical glass
- Size	diameter 72 mm
Sunshield	Standard
Rotation	360° Continuous rotation
Tilt angle	+90° to -90°
Variable speed	up to 40°/sec pan and 20°/sec tilt (peak)
Drive mechanism	Direct drive
Backlash	better than 0.1°
Preset accuracy	0.04°
Operating temperature	-20 °C to +75 °C (-4 °F to +167 °F)
Cable entry	2x M25
Weight	26 kg

Electrical			
Power rating	SA-PTZ24	SA-PTZ115	SA-PTZ230
- Voltage	24 Vac +/-10%	115 Vac +/-10%	230 Vac +/-10%
- Frequency	50/60Hz	50/60Hz	50/60Hz
- Dissipation	95 W max	95 W max	95 W max
Internal Heater	Standard		
- Heater control	On: 12°C +/- 4°C; Off: 20°C +/- 3°C		
- Heater power dissipation	18W		
Integrated wiper	Standard		
- Wiper dissipation	4 W		
Washer	Optional (SA-WP10)		

Ordering information	
SA-PTZ24L	Safe Area PTZ Camera 316L 24VAC, large
SA-PTZ115L	Safe Area PTZ Camera 316L 115VAC, large
SA-PTZ230L	Safe Area PTZ Camera 316L 230VAC, large

Maintenance kits	
EX/SA-MK Wiper	Maintenance kit for the wiper: Rubber blade and support
EX/SA-Wiper	Replacement for Stainless steel wiper (complete assembly)

DIMENSIONS IN MM



RELATED



Siqua SA mounting accessories

316L Mounting accessories for the SA-FIX and SA-PTZ series



Siqua INT-RJ / INT-SM / INT-MM

Network Interface and cable tail of the Siqua SA or EX cameras



Siqua BC822v2H3-AS

Assembly 33x zoom IP camera, 3MP, AF, Day/night, H.265/H.264



TKH Security BC980H2-AS

8MP IP Box camera with integrated 22x zoom lens



Siqua WP10

10l washer tank, pump 10m, float switch, 316L frame
