

SIQURA

XCUWM01

316L Wall-Pole mount with swivel for the XCU Fusion and Compact

DESCRIPTION

Wall/pole mount for XCU Fusion and XCU Compact.

FEATURES

Complete bracket for wall and pole mount

316L stainless steel

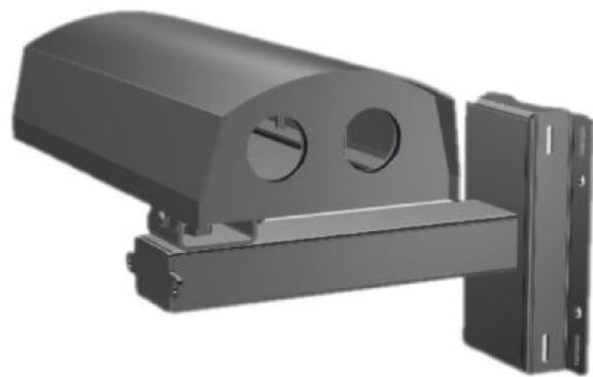
RAL9016

2.2 kg

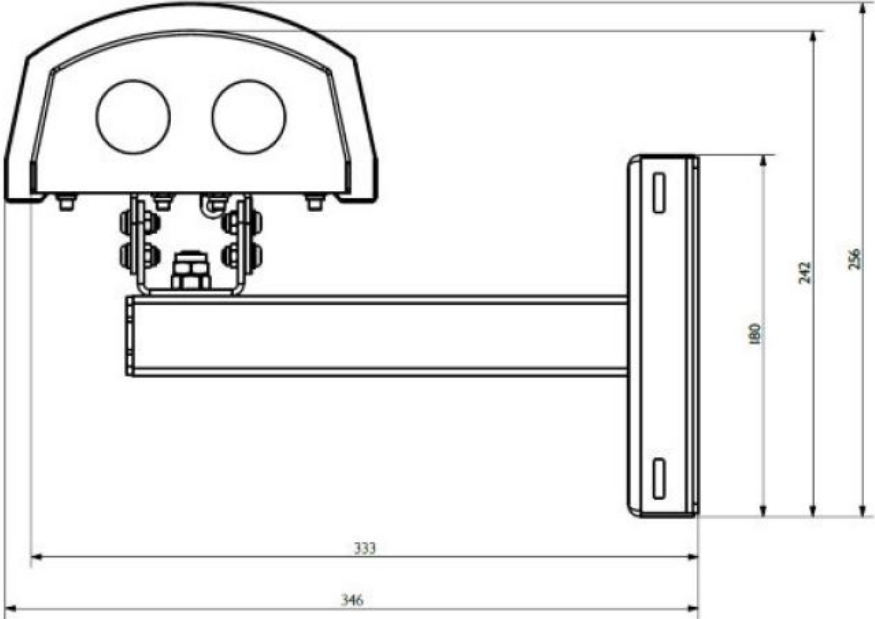
134 x 178 x 280

Max wind velocity 240 km/h (150 mph)

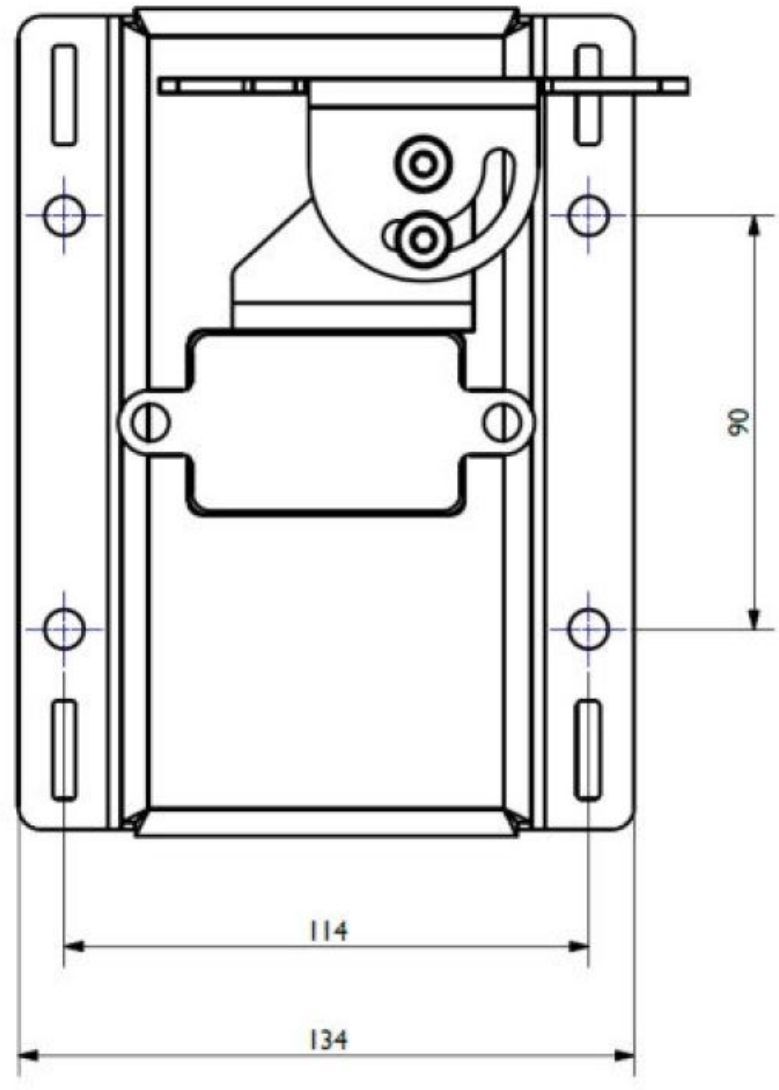
Corrosion Class C5



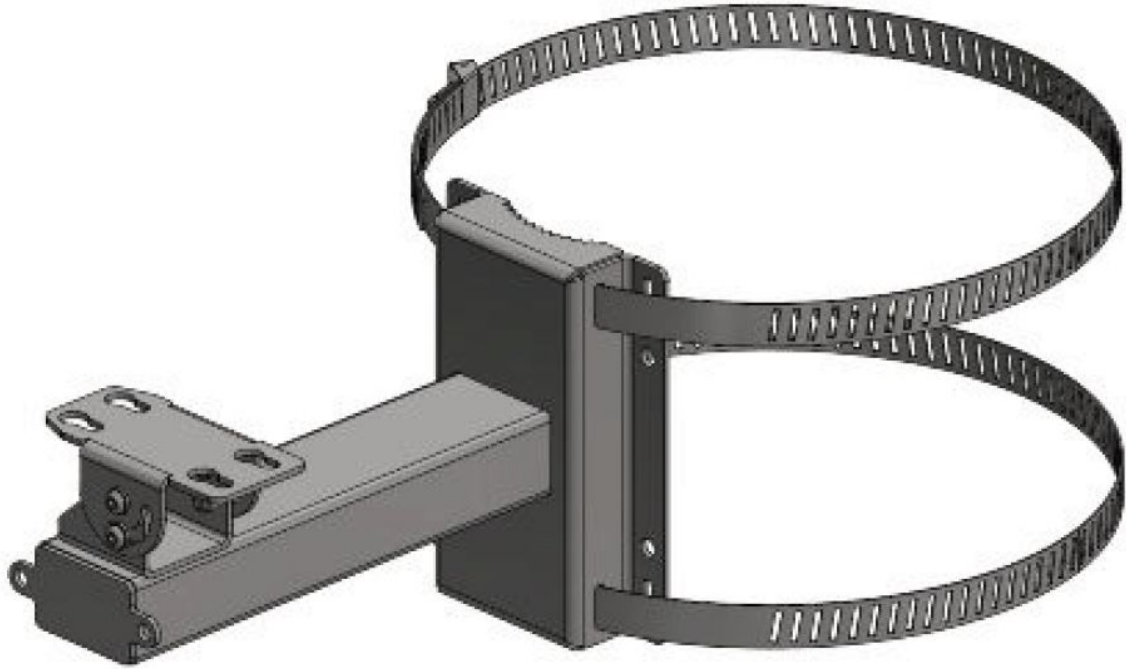
DIMENSIONS IN MM



DIMENSIONS IN MM:



XCUWM01 WITH POLE-MOUNT STRAPS (NOT INCLUDED).



RELATED



Siqura XCU Fusion
316L stainless-steel intelligent dual imager camera



Siqura XCU Fusion 2SM
316L stainless-steel intelligent dual imager camera with singlemode fiber



Siqura XCU Compact
XCU Compact 316L rugged 2MP HD camera motorized zoom
