

# HSG04

## Outdoor Wiper housing for a fixed box camera

### DESCRIPTION

HSG04 all-weather outdoor housing offers robust and easy, secure installation. It is operated by AC24V and has the direct power to the installed box camera. The IK10-, IP66- rated casing protects against water and dust in all weather conditions. With an anti-drop design, it enables easy and secure installation without spare screws. The housing operates in a wide temperature range, from -30 °C to +75 °C. To prevent ice or condensation from forming on the optical window, the housing comes with a built-in heater and blower. External IR illuminator is offered as an option and it can easily snap-in to housing without additional cables.

### FEATURES

---

IP66 water ingress protection

---

IK10 impact cast aluminum housing

---

Built-in Wiper

---

-30 °C to +75 °C Wide-range operating temperature

---

Side-opening alarm switch

---

Easy and secure installation

---

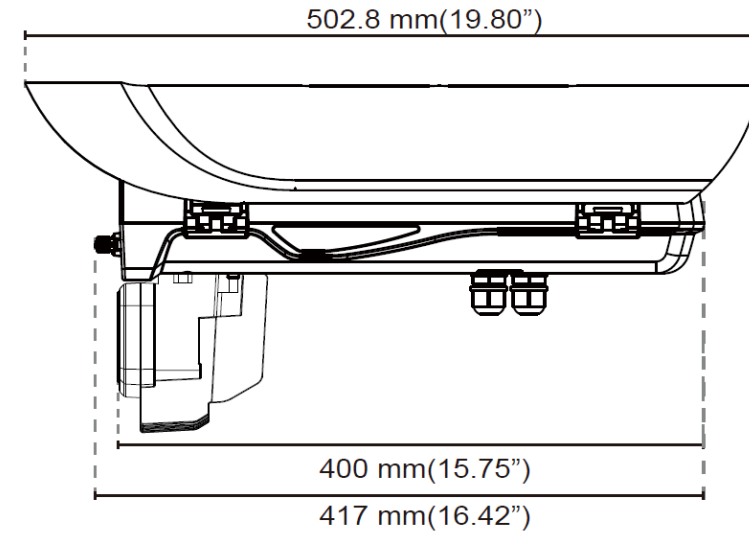
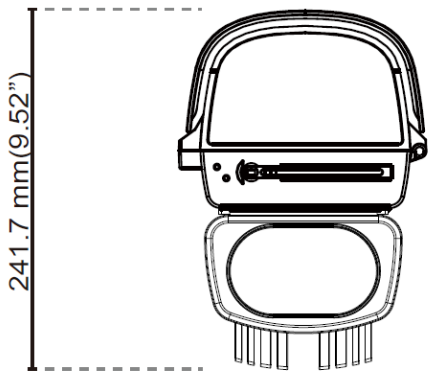
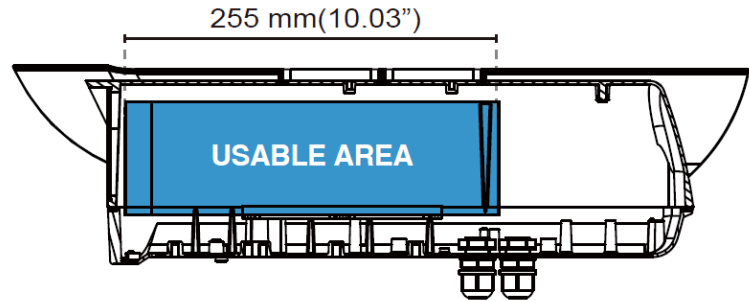
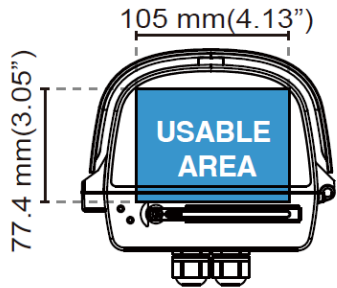
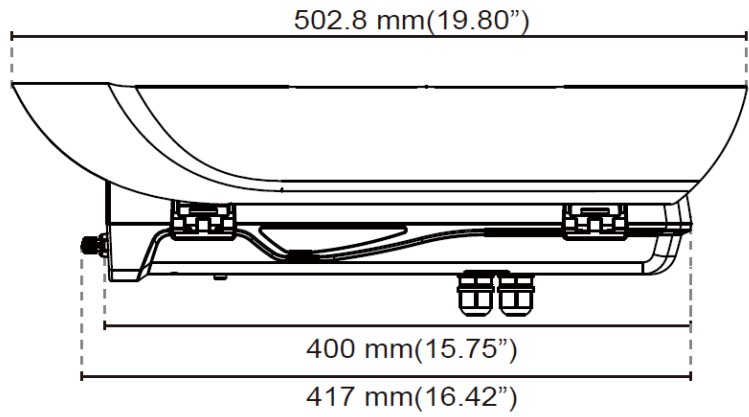
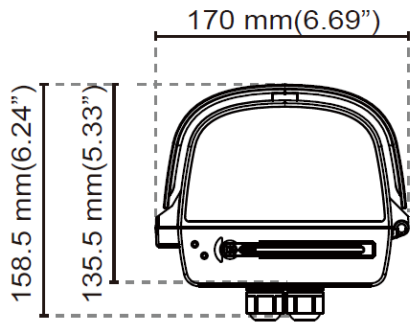
Snap-in external IR as option

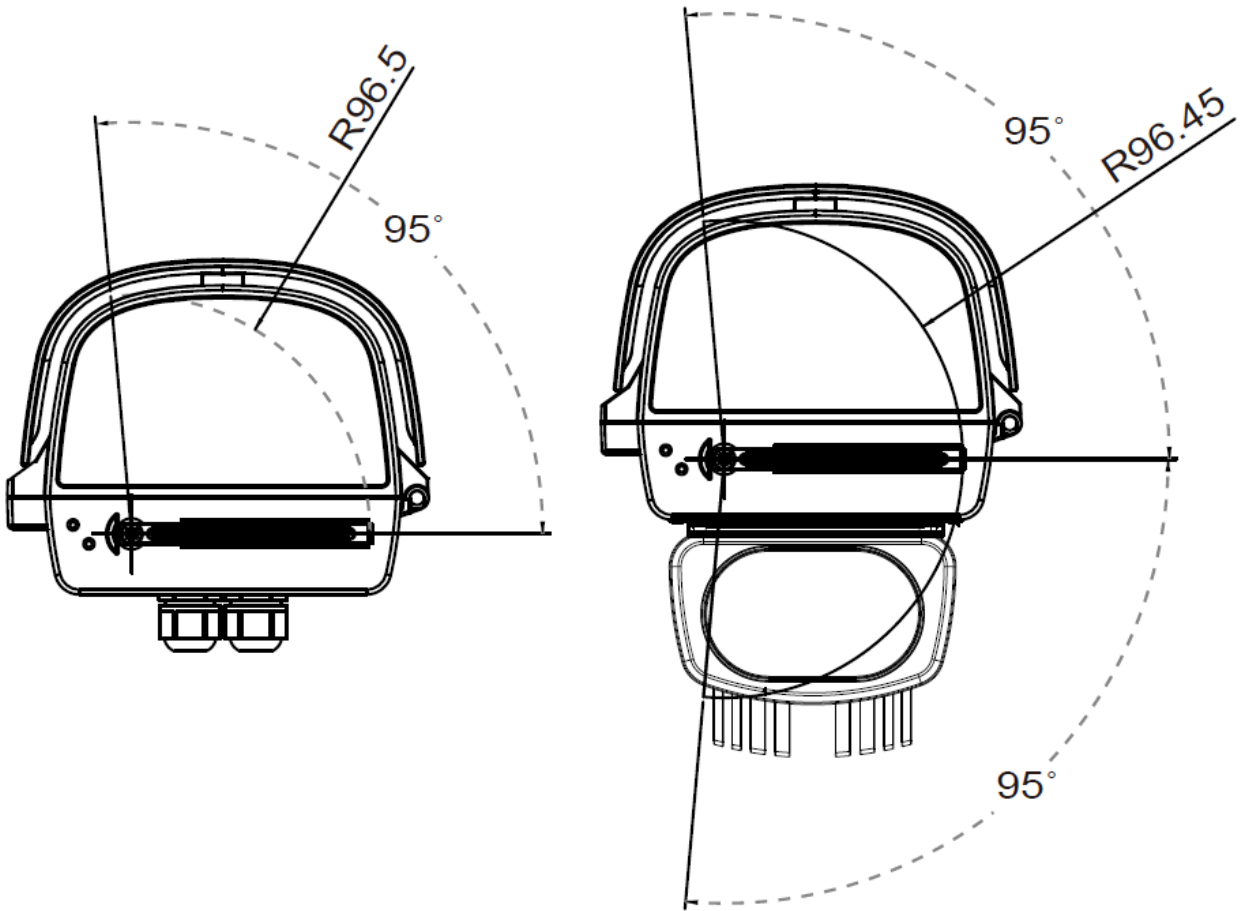
---



<b>HSG04 Housing</b>	
IP Rating	IP66
IK Rating	IK10, without glass
Corrosion Class	C2 (ISO 12944)
Temperature control	heater/blower
Power	24 Vac
Power consumption	80 W (incl. camera)
Relative Humidity	5% to 95%, no condensation
Operating temperature	
- Without IR	-50 °C to +75 °C (-258 °F to +167 °F)
- With IR	-50 °C to +50 °C (-258 °F to +122 °F)
Cold Startup	-40°C (-40°F)
Window Heater ON/OFF	20°C (68°F) ON, 30°C (86°F) OFF
Cold Start Heater ON/OFF	0°C (32°F) ON, 5°C (41°F) OFF
Blower ON/OFF	35°C (95°F) ON, 25°C (77°F) OFF
Material	Aluminum
Dimensions	158 x 170 x 502 mm (6.2 x 6.69 x 19.7 in)
Weight	2.9 kg (6.4 lbs)

<b>Ordering information</b>	
HSG04	Outdoor housing, AC24V, Wiper
HSG04-IR	External IR illuminator, 850nm IR, 50-140m IR Distance
HSG04-Wall	Wall mount bracket, 360° pan, -66.5°~ 0° tilt angle, 10KG Max Load
HSG04-Pole	Pole mount bracket, 25kg Max Load
HSG04-Power Box	IP67/IK10, 115/230VAC input, 24VAC/6A output





## RELATED

---



**TKH Security HSG04-Wall**  
Wall mount for HSG04, HSG05

---



**TKH Security HSG04-Pole**  
Pole mount for HSG04-Wall

---



**TKH Security HSG04-IR**  
IR Lamp for HSG04

---



**TKH Security HSG04-Power Box**  
Power supply junction box for HSG04

---



**TKH Security HSG05**  
Outdoor fixed housing, 90-260VAC

---