



* Lens not Included

HCB-6000

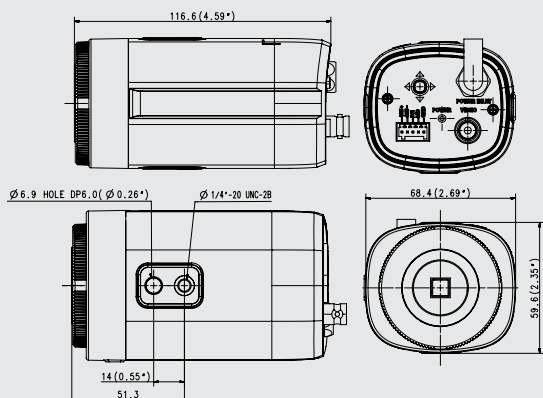
1080p Analog HD Camera

Key Features

- Full HD resolution
- 0.09 Lux@F1.2 (Colour), 0.009 Lux@F1.2 (B/W)
- Day & Night (ICR), WDR (120dB)
- SSNRIV, Motion detection
- Transmission distance max.500m
- Easy Installation (Plug & play), Dual power, RS-485

Dimensions

Unit:mm(inch)



Available Lenses / Accessories

(Optional)



SHB-4300H/4300H1/4300H2 SHB-4200/4200H STB-4150V SLA-M2890DN SLA-M8550D

HCB-6000N/P

VIDEO

Imaging Device	1/2.8" 2M CMOS	
Total Pixels	1,945(H) x 1,109(V) 2.16M pixels	
Effective Pixels	1,945(H) x 1,097(V) 2.13M pixels	
Scanning System	Progressive Scan	
Min. Illumination	Colour : 0.09 Lux (F1.2, 1/30sec) B/W : 0.009 Lux (F1.2, 1/30sec)	
S / N Ratio	52dB (AGC Off, Weight On)	
Video Output	BNC (AHD / TVI / CVI / CVBS selectable)	
Resolution	1920 x 1080	
Max. Framerate	30fps@1080p(N)	25fps@1080p(P)

LENS TYPE

Mount Type	C / CS
------------	--------

OPERATIONAL

On Screen Display	Multi-language support (16) English, Japanese, Spanish, French, Portuguese, Korean, German, Italian, Russian, Polish, Czech, Romanian, Serbian, Swedish, Danish, Turkish
Camera Title	Off / On (Displayed 15 Characters)
Day & Night	Auto (ICR) / External / Colour / B/W
Backlight Compensation	Off / User BLC / HLC / WDR
Wide Dynamic Range	120dB
Digital Noise Reduction	SSNRIV (Off / On)
Defog	Off / Auto / Manual
Motion Detection	Off / On (4 zones)
Privacy Masking	Off / On (8 zones rectangle)
Gain Control	Off / Low / Middle / High / Very High
White Balance	ATW / Outdoor / Indoor (4,500K° ~ 8,500K°) / Manual / AWC (1,800K° ~ 10,500K°)
Electronic Shutter Speed	1sec ~ 1/12,000sec
Reverse	Off / H-Rev / V-Rev / HV-Rev
Profile	Basic, Day & Night, Backlight, ITS, Indoor, User
Alarm	(MD) Output 1, External D/N 1
Remote Control Interface	Coaxial, RS-485
Protocol	AHD : ACP (AHD Coax Protocol), CVBS : Pelco-C (Coaxitron) CCP (CVI Coax Protocol), TCP (TVI Coax Protocol) RS-485 : Samsung T, Pelco D/P, Panasonic Bosch, Honeywell, Vicon, GE, AD

Video Transmission Distance	500m (5C2V Coaxial Cable)
-----------------------------	---------------------------

ENVIRONMENTAL

Operating Temperature / Humidity	-10°C ~ +55°C (+14°F ~ +131°F) / Less than 90% RH
----------------------------------	---

ELECTRICAL

Input Voltage / Current	Dual (24V AC ±10% & 12V DC ±10%)
Power Consumption	Max. 3.5W

MECHANICAL

Color / Material	Ivory / Plastic
Dimensions (WxHxD)	68.4 x 59.6 x 92.7mm (2.69" x 2.35" x 3.65")
Weight	186g (0.41 lb)

* The latest product information / specification can be found at hanwha-security.com

* Wisenet is the proprietary brand of Hanwha Techwin.