

DINRTT

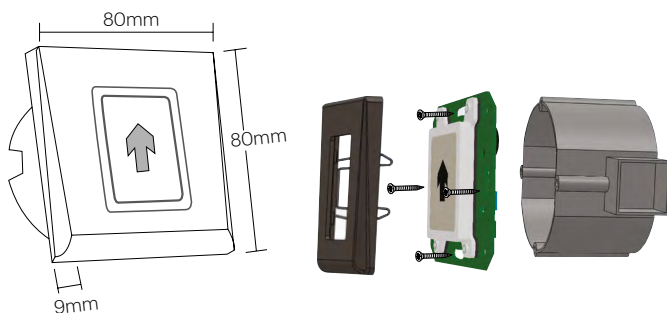
FLUSH MOUNT 2 RELAY REMOTE UNIT AND REQUEST-TO-EXIT BUTTON

DINRTT is the remote relay control unit for the B100-SA/DINB100-SA biometric readers and the MTPX-MF-SA/DINMTPX-MF-SA MIFARE RFID readers. If secure installation is needed, the biometric reader can be connected to remote relay unit at secured area, which also plays the role of exit push button. It has one relay output and one exit button input.

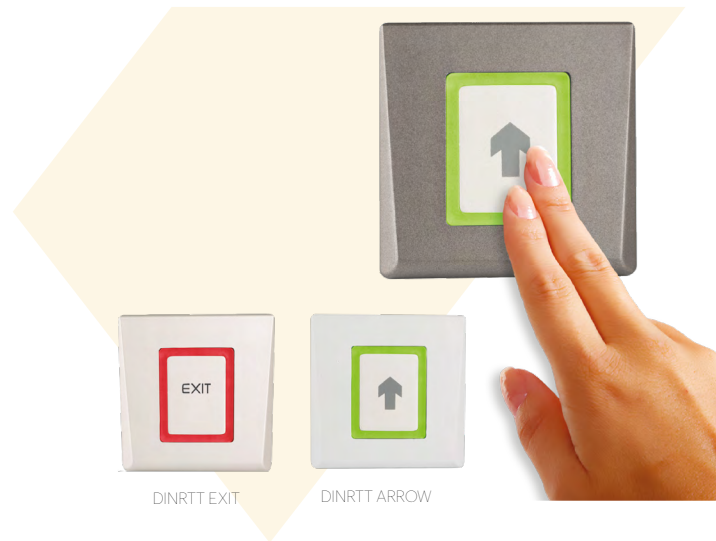
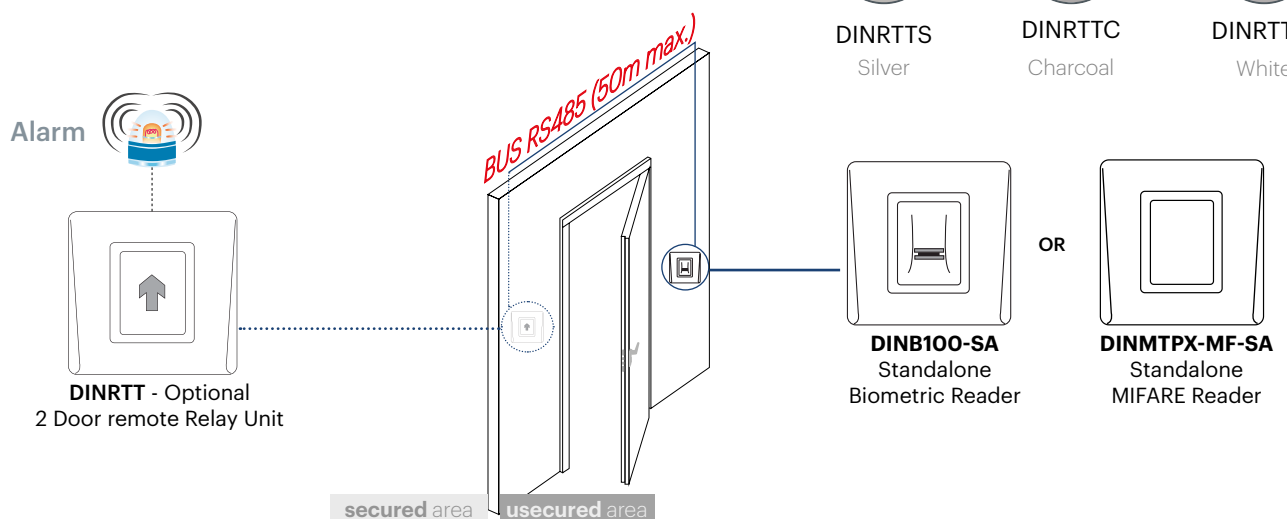
FEATURES

- Relay Output: 2A/ 24V AC/DC
- Door time: Pulse (1 to 60sec) or toggle (ON/OFF)
- Backlight ON/OFF: Yes
- Buzzer ON/OFF: Yes
- Indicators-LED: Normal - RED,
Relay Operation – GREEN
- Push button: 2
- Input voltage: 9-14V DC
- Current consumption: max.100mA
- Operating Temperature: -20°C to 50°C.
indoor, non condensing
- IP Rating: IP40

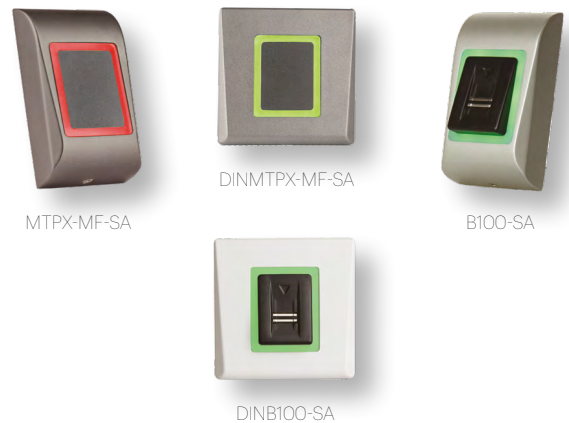
DIMENSIONS AND MOUNTING



APPLICATION DIAGRAM



RELATED PRODUCTS



COLOURS

