

# Fastening accessories for GRIFOX and STRIXO series outdoor detectors

## Assembly and installation notes

### 1. GENERALS

The accessories in question have been studied to allow you to install the compatible detector in places where you need:

- Horizontal or vertical detector tilting.
- 90° positioning.
- Protected feeding of connection wires in the detector.
- Exceptional firmness and stability over time, even for outdoor installations.

### 2. GENERAL CONSIDERATIONS

Summary of the installation types of the joint, based on the fixing height and on the kind of detector.

#### 2.1 Installations possible with the ANGSGX bracket

- Fixing to a corner between two walls.
- Fixing to a flat wall, with the detector tilted at 45°.

#### 2.2 Installations possible with the SNDSGX joint

- Adjustable fixing.
- 90° fixing

### 3. ASSEMBLY OF THE SNDSGX JOINT

**A** Place the chamfered washers on both sides and keep them pressed in place so that they don't fall.

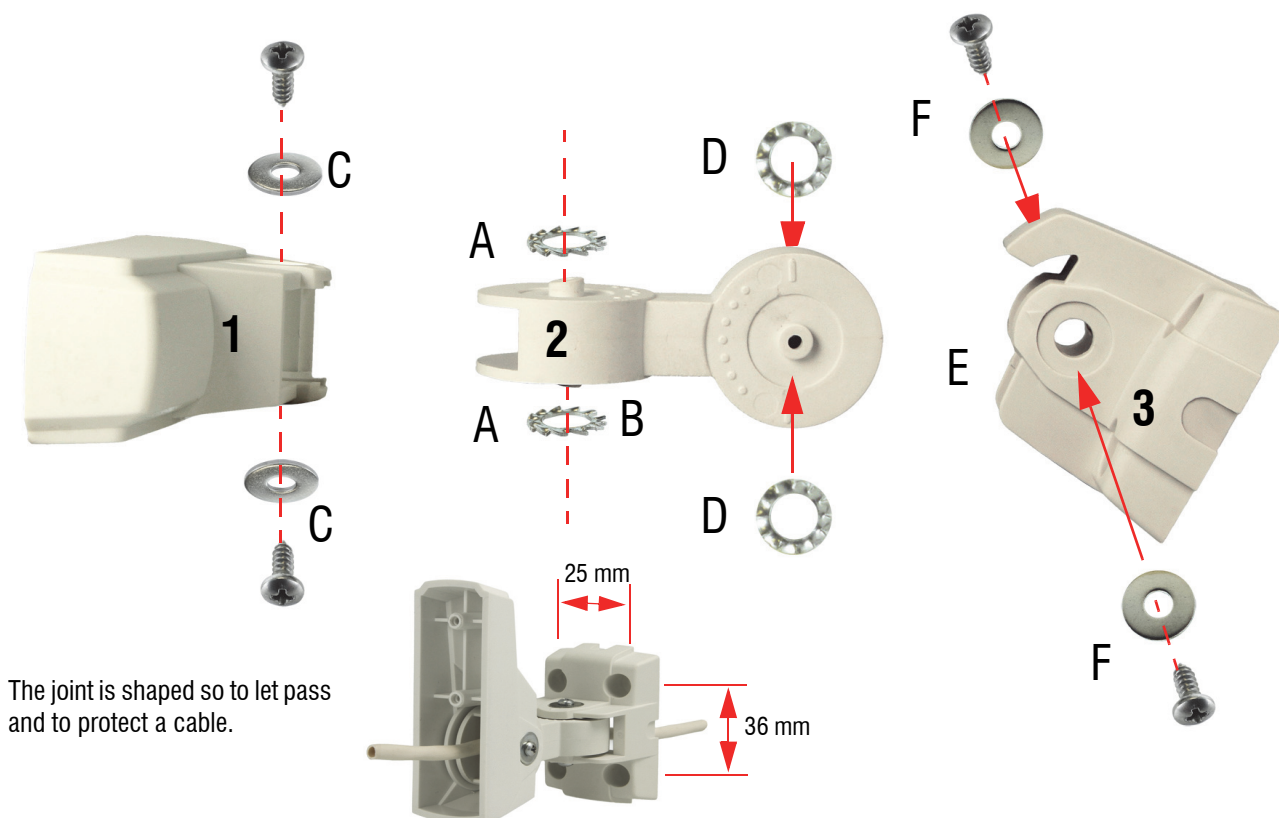
**B** Insert the central part (2) on the No. 1 part, keeping the washers between the two parts.

**C** Place the flat washers at the sides and fix the parts together with self-tapping screws.

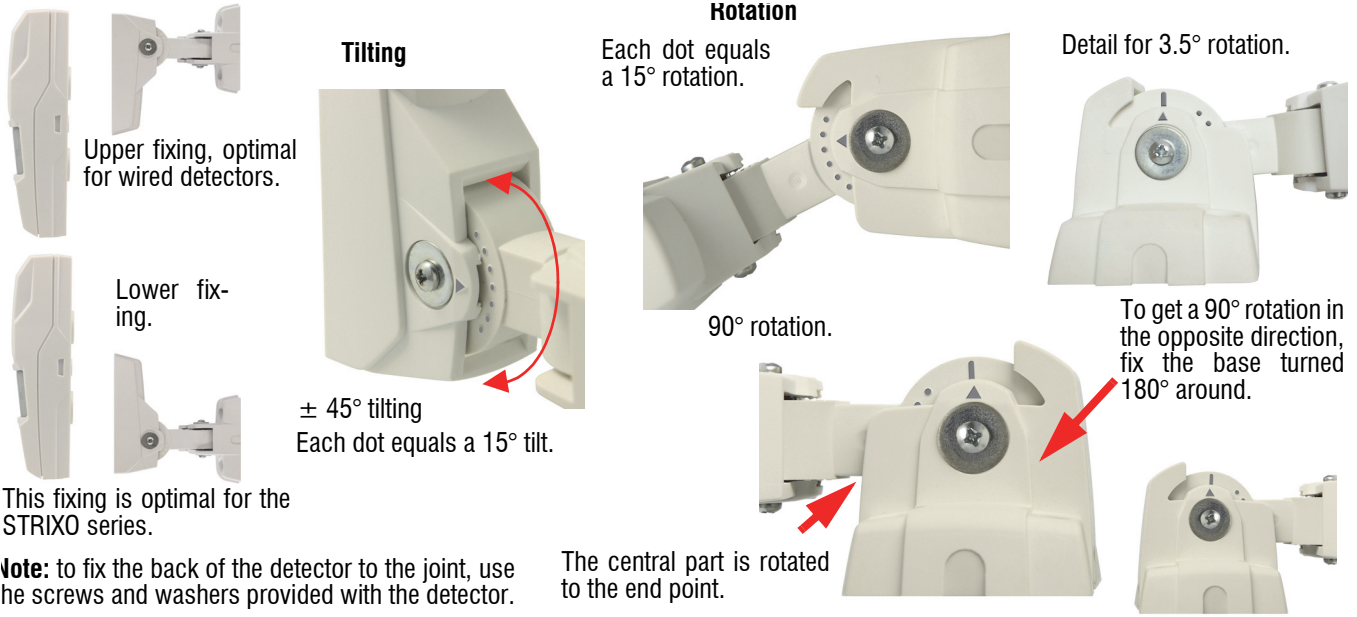
**D** Place the chamfered washers on both sides and keep them pressed in place so that they don't fall.

**E** Tilt the wall bracket (3) as shown, then insert the central part (2) on the No. 3 part with enough strength, keeping the washers between the two parts.

**F** Place the flat washers at the sides and fix the parts together with self-tapping screws.



Tilting and rotation adjustment.

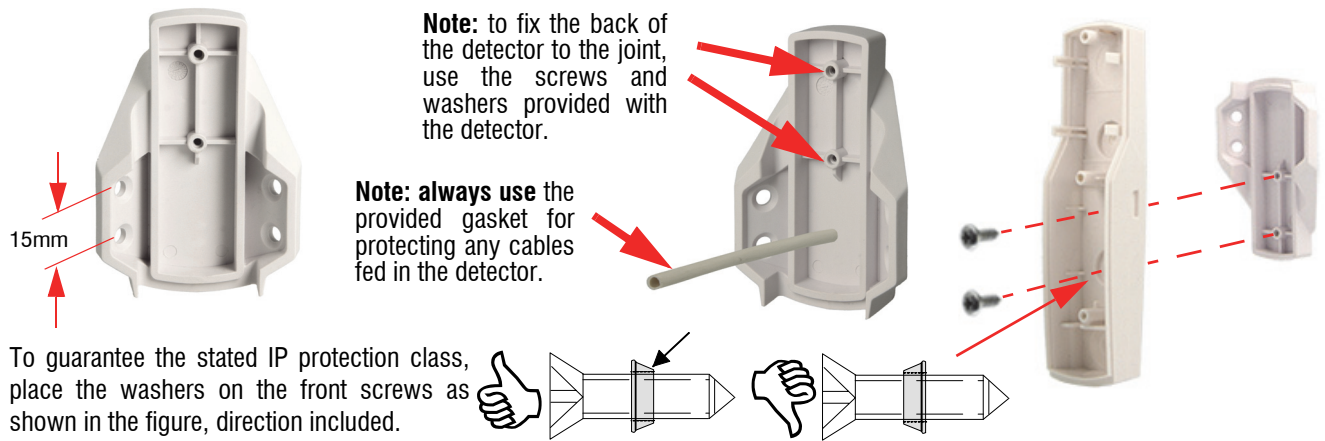


This fixing is optimal for the STRIXO series.

**Note:** to fix the back of the detector to the joint, use the screws and washers provided with the detector.

**4. ANGSGX ANGLE BRACKET**

The angle bracket lets you fix the GRIFOX series detector between two walls or at a 45° angle with respect to the wall, according to the desired kind of protection. The installation height has to be found in the covering diagrams for the lens used in the specific detector.



To guarantee the stated IP protection class, place the washers on the front screws as shown in the figure, direction included.

**5. CUPSGX SUNSHIELD (RCACCSX00700)**

This accessory has to be used whenever the detector is mounted outdoors, without any protection (e.g. under a porch/balcony). CUPSGX can be easily clasped to the back cover of the detector even at the end of the installation. For a steadier mounting, use the provided fixing clip.

