

# B100PAD-M

## NETWORKED BIOMETRIC READER WITH KEYPAD

B100PAD-M is a Wiegand biometric reader for access control applications.

It offers storage up to 100 fingerprints and programmable Wiegand Output (8 to 128 bits). Configuration of the readers and fingerprint enrollment is done through PC Software. Connection between the biometric readers is RS-485 and it is used for fingerprint transfer and configuration.

Management of the reader is integrated in our access control software PROS CS.

For integration with other systems we provide:

- Biomanager CS, client-server based software package for solutions without additional development
- CNV1000, TCP/RS-485 communication converter for connection between software and readers
- Communication protocol for full integration of the readers in third party softwares



**b** Black Edition  
Product available in Black ABS

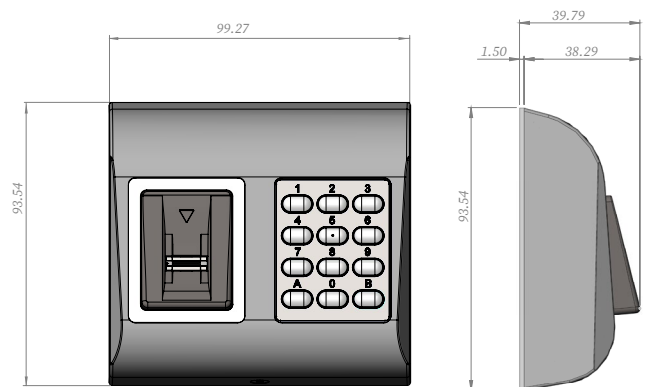
### FEATURES

- Surface Mount fingerprint reader with integrated keypad
- Authentication: Finger, Finger or PIN Code, Finger and PIN Code
- Storage capacity: 100 Fingerprints
- PIN Code Length: 1 to 8 digits
- Matching time: < 2 sec
- Enrolment can be done from Desktop Reader or reader itself
- Adjustable Wiegand protocol (8 to 128-bit) is utilized in the reader which makes it compatible with Wiegand interface controllers
- Wiegand Protocol adjustment done through PC
- Programmable Backlight ON/OFF
- Separate BioManager CS Software available free when used with third party controllers
- Fingerprints stored in the reader and backup copy kept in the software
- Compatibility with XPR Control Panels: EWS
- Power Supply: 12V DC
- Consumption: 130 mA max.
- IP rating: IP54 (Internal use only)
- Operating Temperature: 0°C to +50°C

### LEDS



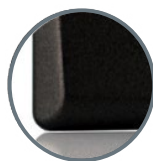
### DIMENSIONS



### VERSIONS

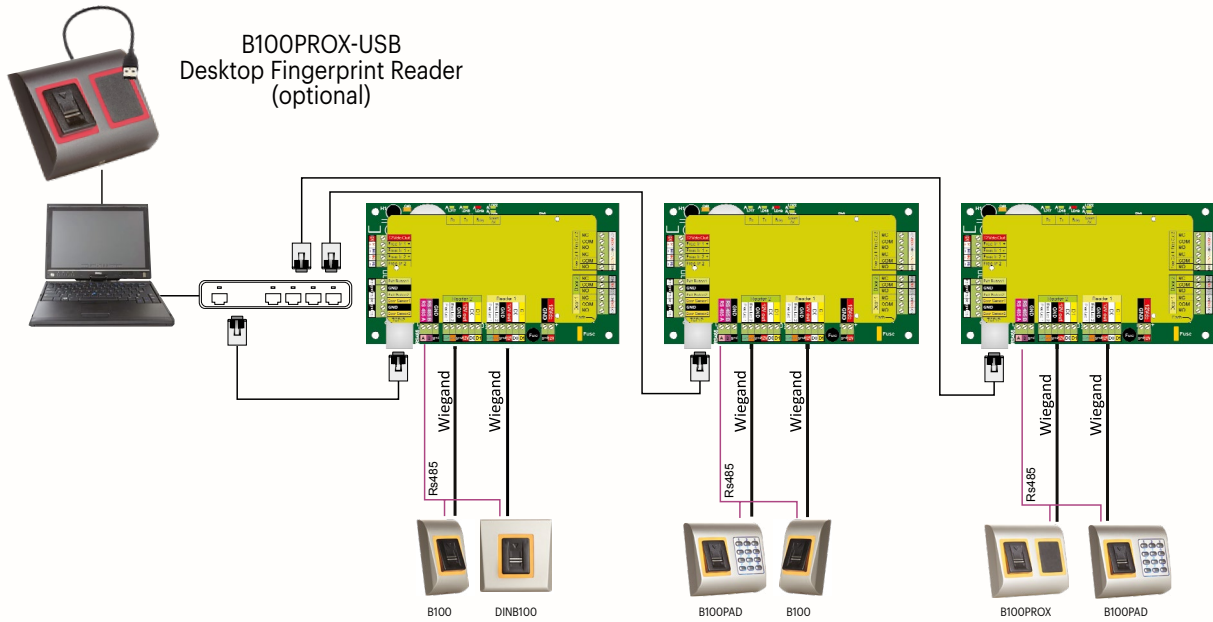


**B100PADS-M**  
Silver-Metal



**B100PADBK-M**  
Black- ABS

## EWSI CONTROLLER - ARCHITECTURE

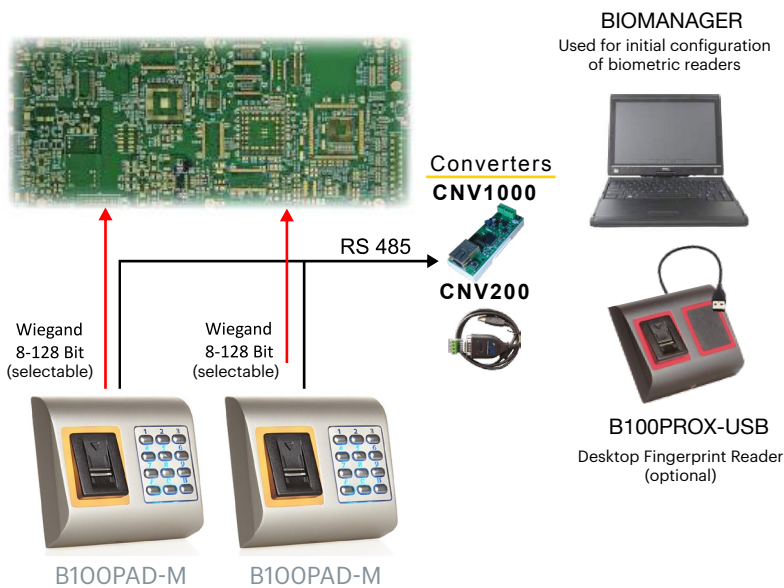


### PROS CS SOFTWARE

Client Server Access Control Management Software for the EWSI Network controller system. This software enables multiple clients to connect to the system locally or remotely.



## THIRD PARTY CONTROLLER - ARCHITECTURE



► Enrolment can be done from any biometric reader in the network or from Desktop USB Enrollment Unit.

► Finger templates can be sent to all readers in the network. Different Users can be sent to different Fingerprint Readers.

### BIOMANAGER CS SOFTWARE

► Windows based PC Software.

► Free Fingerprint Management Software for XPR Biometric Readers.



All product specifications are subject to change without notice.