

EX-PTZ T SERIES

EX PTZ Thermal Camera 316L

DESCRIPTION

The EX-PTZ T camera housing is a rugged corrosion proof thermal PT camera station designed for use in hazardous areas in onshore, offshore, marine and heavy industrial environments. The housing is not sold separately, it is only available in combination with a Siqura TC-336 and TC-640 thermal module, and a interface/cable tail (INT-RJ/SM/MM)

FEATURES

Corrosion protected 316L stainless-steel

ATEX, IECEx, UKEX and INMETRO certified

Grid protected germanium window (diameter 50 mm)

Suited for 9, 13, 19, 25, 35, 50 mm thermal lenses

IP66 / IP67

Integrated power supply (24, 115 or 230 Vac)

Integrated heater

Electro-polished 316L sun-shield

Optional direct to fiber

Low maintenance



Description

Thermal imaging

The EX-PTZ T is fitted with a germanium window, which makes the camera suitable for long-wave infrared (LWR) thermal imaging. Siquira's TC-336 and TC-640 thermal modules are made to fit this camera. Its window size (50 mm in diameter) make it suitable for 9 mm up to 50 mm lenses.

Corrosion free 316L construction

The EX-PTZ T housing is designed for thermal imaging in hazardous areas in onshore, offshore, marine and heavy industrial environments. 100% of the camera housing is made of corrosion proof 316L steel, protected against salty and sulfur rich environments. The hard carbon coated germanium window is additionally protected by a 316L grid.

ATEX, IECEx, UKEX and INMETRO certified

The EX-PTZ T is fully certified for hazardous areas zone 1 and 2 for gas and zone 21 and 22 for dust for Europe (ATEX), world-wide (IECEx), United kingdom (UKEX), and for Brazil (INMETRO). The certification includes the thermal module from the TC-336 or TC-640 series.

Integrated heater

A built-in heater regulates the humidity inside the camera and prevents ice or condensation forming on the germanium window.

Mechanical	
Certification	ATEX; IECEx, INMETRO, UKEX
Rating	Ex db op pr IIC T6 Gb -40°C Tamb +60°C Ex tb III C T85°C Db -40°C Tamb +60°C Ex db op pr IIB T5 Gb -40°C Tamb +75°C Ex tb IIIC T100°C Db -40°C Tamb +75°C
Ingress protection rating	IP66 / IP67
Impact rating (casing)	IK10
Body material	Electro-polished 316L stainless steel
Window	AR/DLC germanium window
- Size	diameter 50 mm; with protective grid
Sunshield	Standard
Rotation	360° Continuous rotation
Tilt angle	+90° to -90°
Variable speed	up to 36°/sec pan and 18°/sec tilt (peak)
Drive mechanism	Direct drive
Backlash	0.1°
Preset accuracy	0.04°
Operating temperature (Tamb)	-20 °C to +75 °C (-4 °F to +167 °F)
Relative humidity	5% to 100%
Cable entry	1x M25x1.5
Weight	32.5 kg

Electrical			
Power rating	EX-PTZ24T	EX-PTZ115T	EX-PTZ230T
	24 Vac +/-10%	115 Vac +/-10%	230 Vac +/-10%
	50/60Hz	50/60Hz	50/60Hz
Max power consumption	95 W	95 W	95 W
Internal Heater	Standard		
- Heater control	On:12°C +/- 4°C; Off: 20°C +/- 3°C		

Ordering information	
EX-PTZ24T	EX PTZ Thermal Camera 316L 24VAC
EX-PTZ115T	EX PTZ Thermal Camera 316L 115VAC
EX-PTZ230T	EX PTZ Thermal Camera 316L 230VAC

Maintenance kits	
EX-MK PTZ	Maintenance kit EX PTZ camera: O-Ring, screws, desiccant bags

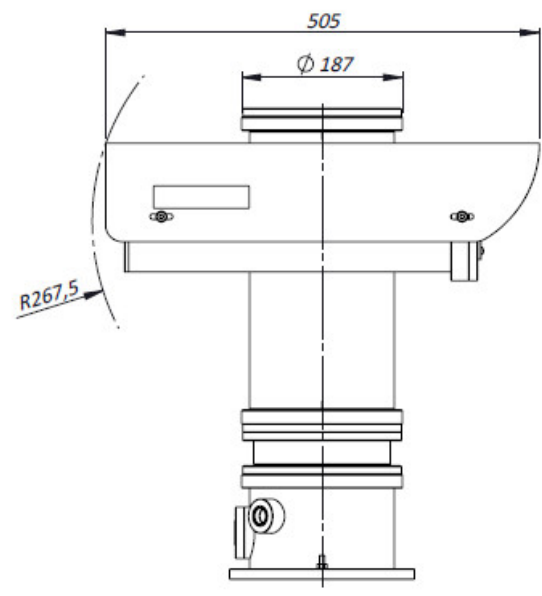
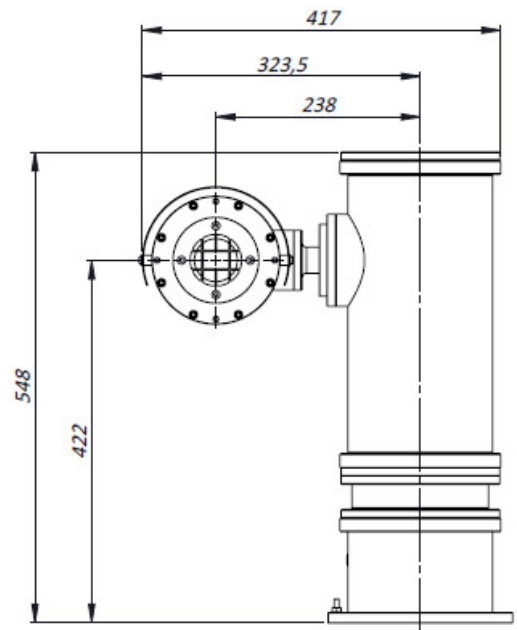
Housing	Optical camera			Thermal camera		Interface					
	BC822v2H3-AS	BC980H2-AS	BC840v2-M04-AS	TC(R1) ² -336	TC(R1) ² -640	INT-RJ	INT-RJ5 INT-RJ10	INT-SM	INT-SM5 INT-SM10	INT-MM	INT-MM5 INT-MM10
EX-FIX24 ¹	✓	✓	✓			✓	✓	✓	✓	✓	✓
EX-FIX24W	✓	✓	✓			✓	✓	✓	✓	✓	✓
EX-FIX24T				✓	✓	✓	✓	✓	✓	✓	✓
EX-PTZ24	✓	✓	✓			✓	✓	✓	✓	✓	✓
EX-PTZ24T				✓	✓	✓	✓	✓	✓	✓	✓
EX-PTZ24D	✓	✓	✓	✓	✓	✓	✓	✓ ³	✓ ³	✓ ³	✓ ³
EX-PTZ24D-IR	✓	✓	✓			✓	✓	✓	✓	✓	✓

¹: This table also applies to the EX cameras versions for 115 Vac and 230 Vac.

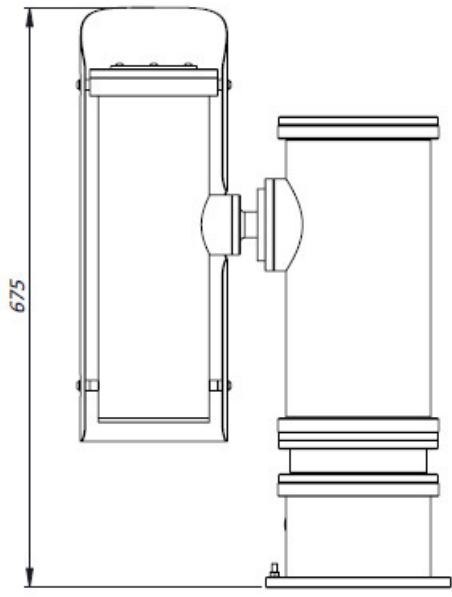
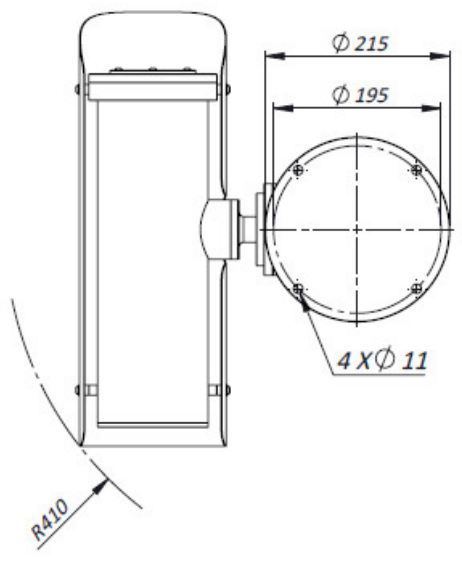
²: R1 version is needed for hot-spot detection.

³: Special arrangements needed. Please contact TKH Security.

EX PTZ T DIMENSIONS IN MM



MAXIMUM HEIGHT



RELATED



Siqua TC-336 and TC-640
Assembly thermal modules 336x256 or 640x512



Siqua INT-RJ / INT-SM / INT-MM
Network Interface and cable tail of the Siqua SA or EX cameras



Siqua EX-JB01
316L Ex e termination box for EX cameras



Siqua EX mounting accessories
316L Mounting accessories for the EX-FIX and EX-PTZ series
