

MC 10 AC, MC 11 AC

19 power supply cabinet

DESCRIPTION

MC 11 power supply cabinets can house and power 11 Siqura rack-mount modules. The heart of the MC 11 is a powerful, extremely robust, and efficient power supply unit, which can supply up to 105 watts. The MC 10 is fitted with two of these power supply units for fully redundant powering. The built-in fans in both cabinets provide sufficient cooling for full-load operation over a wide temperature range. They also makes it possible to stack cabinets on top of each other, utilizing every inch of available rack space. All connections are concentrated on one side. Reversible mounting brackets give you the choice to have all connections at the front or at the back.

FEATURES

Up to 11 slots

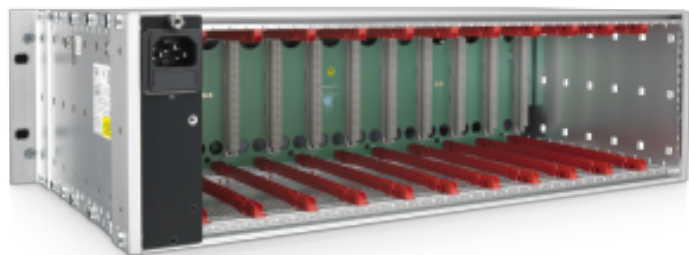
Dual redundant power supply (MC 10 with 10 slots)

Robust, field proven switched-mode power supply

Built-in fans

Reversible mounting brackets

Field-hardened



Number of slots	
MC 11	11 slots
MC 10	10 slots
Type of slot	7 TE Eurocassette

Management	
LED status indicators	
DC	Power-on indicator (green)

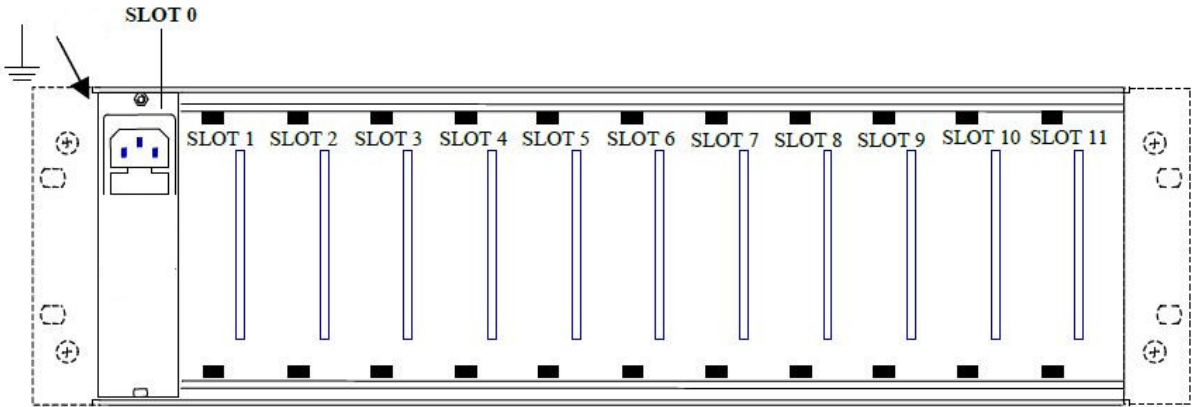
Environmental	
Operating temperature	-40 °C to +65 °C (-40 °F to +149 °F) (See power derating graph above)
Storage temperature	-55 °C to +85 °C (-67 °F to +185 °F)
Relative humidity	5 to 95% no condensation
MTBF (mean time between failures)	100,000 hours
Safety and EMC	IEC/EN 60950-1, IEC/EN 60825, IEC/EN 61000, EN 50130-4, EN 50081-1, EN 55022, FCC part 15, UL

Mechanical	
Dimensions (h x w x d)	132 x 483 x 240 mm (5.2 x 19 x 9.4 in), without cabling
	132 x 483 x 350 mm (5.2 x 19 x 13.8 in), with cabling
Weight	4.5 kg (9.9 lbs)

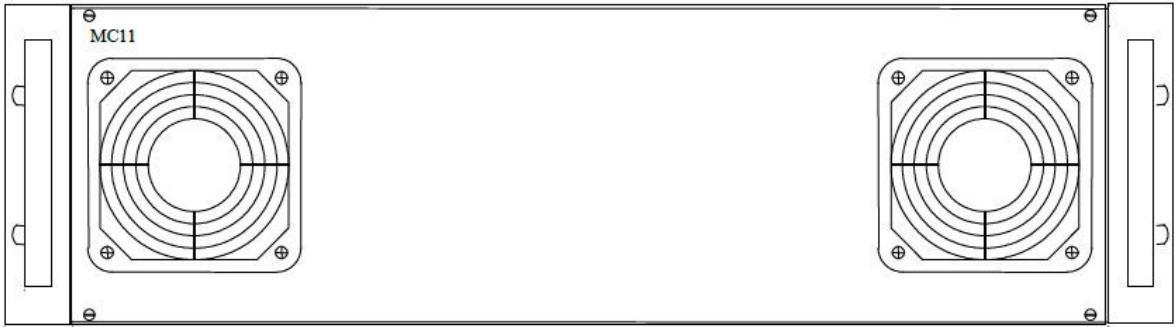
Powering		
	MC 10/11AC-230	MC 10/11AC-115
Mains voltage	230 Vac	115 Vac
Operation voltage	195 - 264 Vac	102 - 132 Vac
Frequency	40 - 100 Hz	40 - 100 Hz
Maximum drop-out time	10 ms	10 ms
Primary fuse	1.6 A / 250 V slow	3.15 A / 250 V slow
Power efficiency (full load)	~83%	>83%
DC Output power	83 W (at 74 °C ambient)	83W (at 74 °C ambient)
	105 W (at 65 °C ambient)	105W (at 65 °C ambient)

Ordering Information	
MC 11 AC	Power supply cabinet 19" rack-mount, 3-RU, 11-slot, 230Vac
MC 11 AC-115	Power supply cabinet 19" rack-mount, 3-RU, 11-slot, 115Vac
MC 10 AC	Redundant PSU cabinet 19" rack-mount, 3-RU, 10-slot, 230Vac
MC 10 AC-115	Redundant PSU cabinet 19" rack-mount, 3-RU, 10-slot, 115Vac

MC11 DIMENSIONS

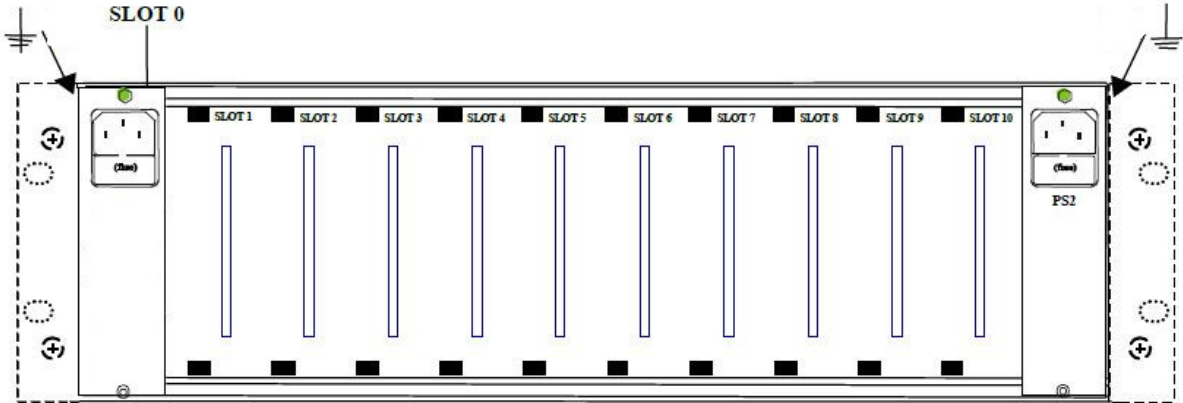


(a)

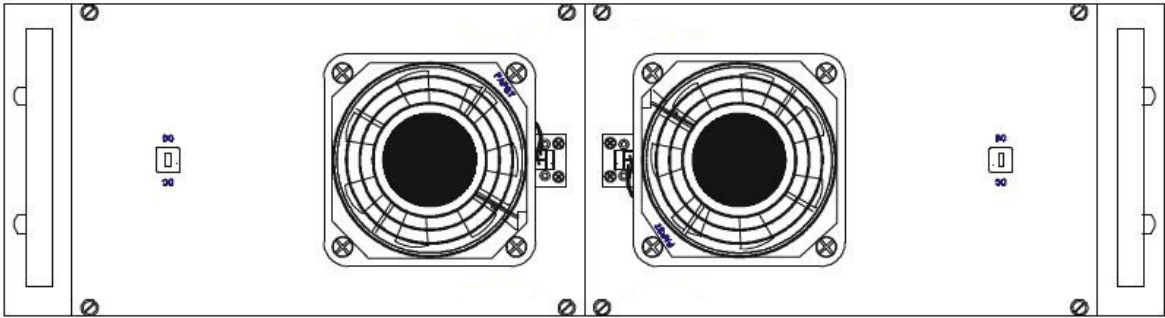


(b)

MC-10 DIMENSIONS



(a)



(b)

MC-10/11 DERATING GRAPH

