

SA301B

Self-powered outdoor siren for intrusion detection systems



Addressee for this information:  User |  Installer



1 DESCRIPTION

SA301B is an outdoor siren.

Operation takes place in **positive voltage reference fall** mode: while the siren is idle, a voltage is constantly applied to the reference terminal; in alarm condition, the voltage interruption causes sound activation.

The siren features a single 4-Ohm horn.

Additional features:

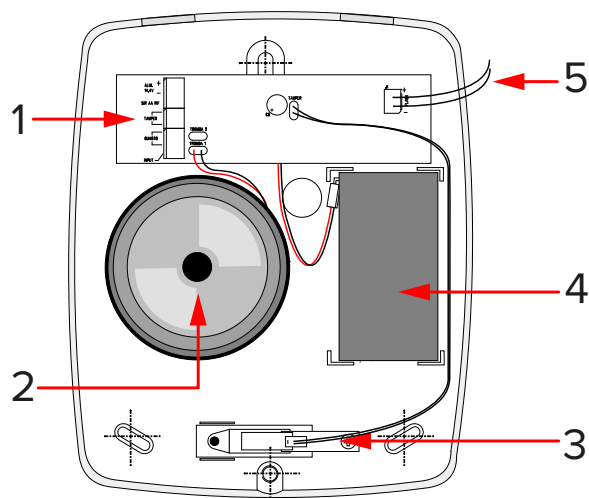
- front blue LED beacon synchronized with sound emission
- orange status LED

Additional visualisation functions can be enabled by cutting specific jumpers.

A microswitch for protection against cover opening and removal from the wall is present.

SA301B is certified IMQ - Security Systems according to EN 50131-4, grade 3.

2 STRUCTURE



- 1 PCB
- 2 Horn
- 3 Microswitch for protection against opening and removal from the wall
- 4 Battery
- 5 Front beacon cable (mounted on the inner side of the front cover)

3 TECHNICAL DATA



Model		SA301B	
Identification			
Use		outdoor	
General features			
Sound emission	Sound type	dual tone	
	Number of horns	1	
	Fundamental frequency	1,750	kHz
	Average sound pressure	106 (1)	dB
	Peak sound pressure	108 (1)	dB
Operating times	Sound deactivation	5	min
	Activation delay	0,05	s
	Battery fault check interval	23	h
	Low/missing battery check interval	9	s
Operating voltage	Power supply	14,4	V
	Battery	12 V 1.2 Ah	
	Minimum power supply	11,0	V
	Maximum operating voltage	15,0	V
	Minimum operating voltage for battery charge	12,7	V
	Discharged battery threshold	10,5	V
	Missing battery threshold	9,0	V
Current consumption at 14.4 V	Idle mode	15	mA
	Alarm mode	1500,0	mA
IMQ certified		EN 50131-4: grade 3	
Environmental class		4	
Protection class		IP44	
Dimensions and weight		L202 × H242 × P90 mm, 1,2 kg	
Parts supplied		screws, inserts, technical manual	

(1) at a distance of 1 metre

Note: install only batteries with self-extinguishing class HB or higher.

4 PRECAUTIONS BEFORE DEVICE MOUNTING



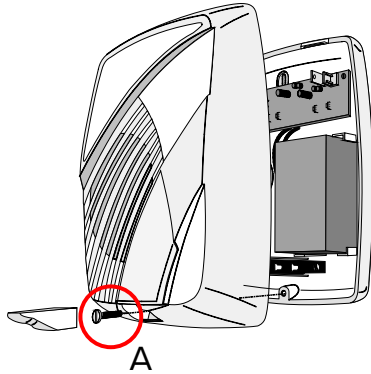
! General warnings are at the end of this manual.

- Check the mounting surface is perfectly flat.
- Make sure the microswitch pin does not fall into holes, gaps or cracks on wall surface.

5 DEVICE MOUNTING



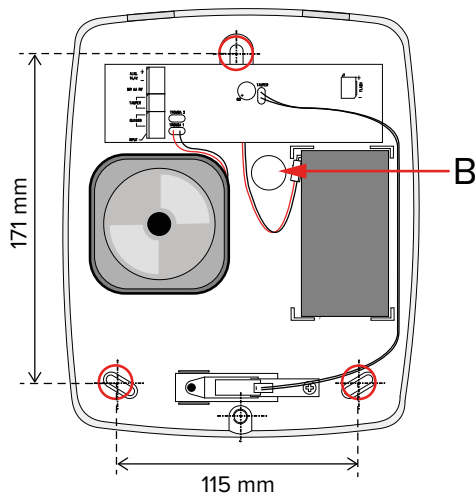
• Opening the housing



- remove the cap covering the front screw
- unscrew the fixing screw A
- separate the cover from the base

• Base wall mount

- before mounting, remove the beacon cable from the FLASH connector on siren board



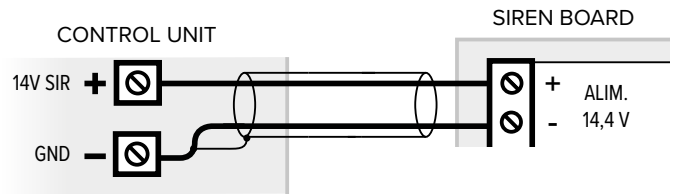
- feed unpowered cables through hole B
- fix the base to the surface using screws and dowels
- arrange the battery in the specific space
- wire the battery to the onboard connector

! Do not reverse polarities.

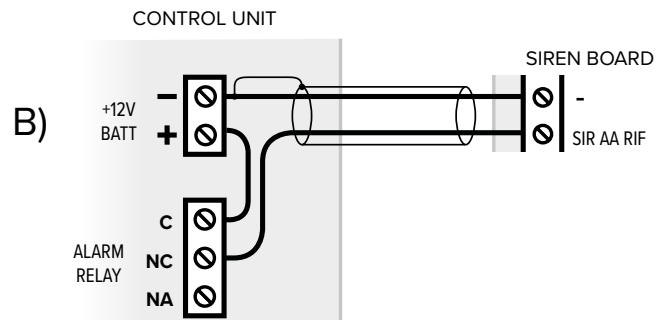
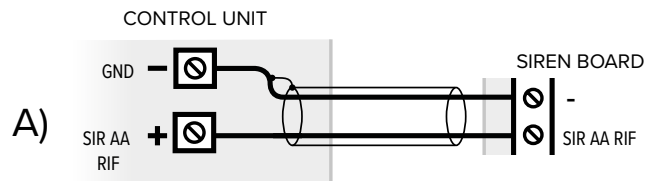
• Wirings

- wire **ALIM. 14,4V** terminals to the power source (on

control unit, if equipped with 14V SIR terminals, or from external power supply unit) for battery charging

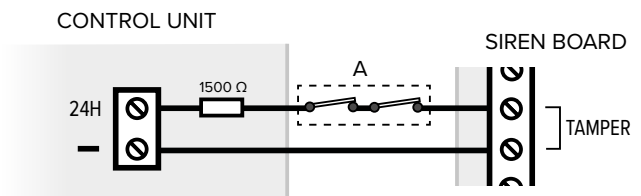


- wire **SIR AA RIF.** terminal to the reference voltage for siren control



- A** Reference for control units equipped with SIR AA RIF. terminals
- B** Reference for control units not equipped with SIR AA RIF. terminals

- wire **TAMPER** terminals (NC) to the control unit tamper circuit or to a control unit zone programmed as "tamper"



- A** Tamper switches of other devices

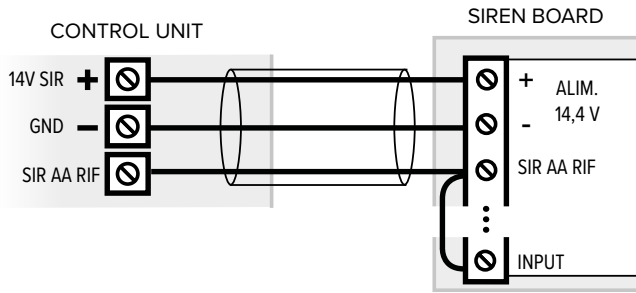
- wire **GUASTO** terminals (NC) to a control unit zone programmed as "fault" (optional)

Status LED control

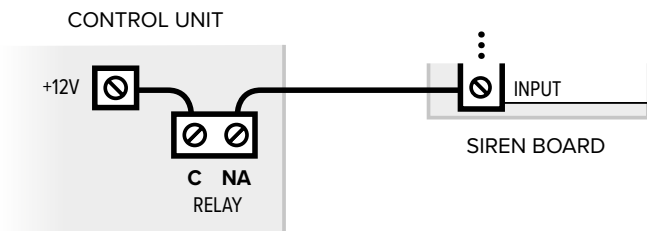
Use **INPUT** terminal to control the status LED.

You can connect **INPUT** terminal:

- to terminal **SIR AA RIF.**: the status LED will blink continuously to indicate the siren is on (see next picture);

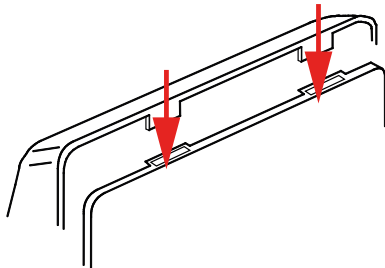


- to a control unit relay output properly programmed so that the status LED flashes under precise conditions (e.g. when control unit is armed).

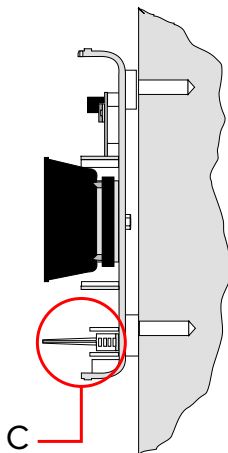


In case no indication is required, leave **INPUT** terminal free.

• Closing the housing



- position the cover on the base



! Make sure the tamper microswitch (C) is kept pressed when the cover is closed

- tighten the fixing screw

- place the cap covering the front screw

6 STARTING THE DEVICE



- trigger an alarm
- check the siren properly works

7 OPERATING MODE

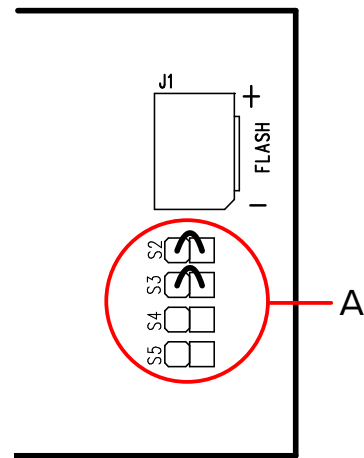


The siren uses two indications at the same time to notify alarm status: audible (horn activation) and visual (beacon activation) indication.

In alarm mode, the siren keeps the sound signal on for 5 minutes maximum.

7.1 Additional functions

Additional visualisation functions can be enabled by cutting specific jumpers.



A position of the jumpers on the board

Jumper to cut	Function	Indication
S2	Sound activation memory indication	Continuous blinks: alarm memory. To delete memory, apply a 12 V voltage to INPUT terminal.
S3	Fault indication	1 flash every 3 s: power supply anomaly 2 flashes every 3 s: low battery 3 flashes every 3 s: battery anomaly
S4	For future use	-
S5	For future use	-

Table of contents

1	DESCRIPTION.....	P. 1
2	STRUCTURE	P. 1
3	TECHNICAL DATA.....	P. 2
4	PRECAUTIONS BEFORE DEVICE MOUNTING	P. 3
5	DEVICE MOUNTING	P. 3
6	STARTING THE DEVICE	P. 4
7	OPERATING MODE.....	P. 4
7.1	Additional functions.....	p. 4
	EU DECLARATION OF CONFORMITY	P. 8
	GENERAL WARNINGS	P. 8
	INSTALLER WARNINGS	P. 8
	USER WARNINGS.....	P. 8
	MAIN SAFETY RULES.....	P. 8
	DISPOSAL WARNINGS.....	P. 8

EU DECLARATION OF CONFORMITY

The product complies with current European EMC and LVD directives.

The full text of the EU declaration of conformity is available at the following internet address: www.elmospa.com – registration is quick and easy.



GENERAL WARNINGS



This device has been designed, built and tested with the utmost care and attention, adopting test and inspection procedures in compliance with current legislation. Full compliance of the working specifications is only achieved in the event the device is used solely for its intended purpose, namely:

Self-powered outdoor siren for intrusion detection systems

The device is not intended for any use other than the above and hence its correct functioning in such cases cannot be assured. Consequently, any use of the manual in your possession for any purpose other than those for which it was compiled - namely for the purpose of explaining the product's technical features and operating procedures - is strictly prohibited.

Production processes are closely monitored in order to prevent faults and malfunctions. However, the components adopted are subject to an extremely modest percentage of faults, which is nonetheless the case with any electronic or mechanical product.

Given the intended use of this item (protection of property and people), we invite you to adapt the level of protection offered by the system to suit the actual situation of risk (allowing for the possibility of impaired system operation due to faults or other problems), while reminding you that there are specific standards for the design and production of systems intended for this kind of application.

We hereby advise you (the system's operator) to see that the system receives regular routine maintenance, at least in accordance with the provisions of current legislation, and also check on as regular a basis as the risk involved requires that the system in question is operating properly, with particular reference to the control unit, sensors, sounders, dialler(s) and any other device connected. You must let the installer know how well the system seems to be operating, based on the results of periodic checks, without delay.

Work involved in the design, installation and maintenance of systems incorporating this product should be performed only by personnel with suitable skills and knowledge required to work safely so as to prevent any accidents. It is vital that systems be installed in accordance with current legislation. The internal parts of certain equipment are connected to the mains and therefore there is a risk of electrocution when maintenance work is performed inside without first disconnecting the primary and emergency power supplies. Certain products include batteries, rechargeable or otherwise, as an emergency backup power supply.

If connected incorrectly, they may cause damage to the product or property, and may endanger the operator (explosion and fire).

INSTALLER WARNINGS



Comply strictly with current standards governing the installation of electrical systems and security systems, and with the manufacturer's directions given in the manuals supplied with the products.

Provide the user with full information on using the system installed and on its limitations, pointing out that there are different levels of security

performance that will need to suit the user's requirements within the constraints of the specific applicable standards. See that the user looks through the warnings given herein.

Work involved in the design, installation and maintenance of systems incorporating this product should be performed only by personnel with suitable skills and knowledge required to work safely so as to prevent any accidents. It is vital that systems be installed in accordance with current legislation. The internal parts of certain equipment are connected to the mains and therefore there is a risk of electrocution when maintenance work is performed inside without first disconnecting the primary and emergency power supplies. Certain products include batteries, rechargeable or otherwise, as an emergency backup power supply. If connected incorrectly, they may cause damage to the product or property, and may endanger the operator (explosion and fire).

USER WARNINGS



Check the system's operation thoroughly at regular intervals, making sure the equipment can be armed and disarmed properly.

Make sure the system receives proper routine maintenance, employing the services of specialist personnel who meet the requirements prescribed by current regulations.

Ask your installer to check that the system suits changing operating conditions (e.g. changes in the extent of the areas to be protected, change in access methods, etc...)

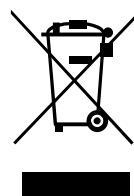
MAIN SAFETY RULES

The use of the device is forbidden for children and unassisted disabled individuals.

Do not touch the device when bare footed, or with wet body parts. Do not directly spray or throw water on the device.

Do not pull, remove or twist the electric cables protruding from the device even if the same is disconnected from the power source.

DISPOSAL WARNINGS



IT08020000001624

In accordance with Directive 2012/19/EU on waste electrical and electronic equipment (WEEE), please be advised that the EEE was placed on the market after 13 August 2005 and must be disposed of separately from normal household waste.