

EX MOUNTING ACCESSORIES

316L Mounting accessories for the EX-FIX and EX-PTZ series

DESCRIPTION

Robust and corrosion-free mounting accessories for the EX-FIX and EX-PTZ Ex camera series

FEATURES

316L corrosion free stainless steel

Suited for onshore, offshore, marine, and heavy industry

Robust and easy to install

EX-FIX and EX-PTZ series

Hazardous Area accessories



Description

Robust 316L mounting brackets for the hazardous areas. Special brackets for the EX-FIX and EX-PTZ series camera housings.

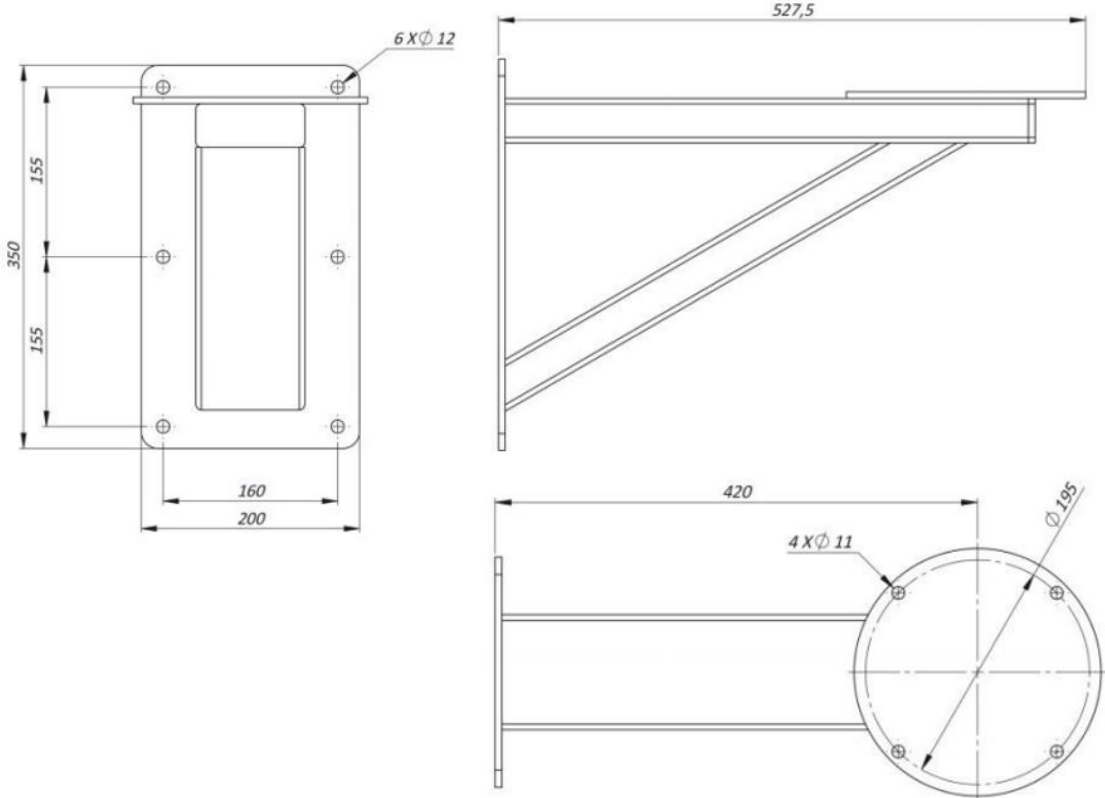
Ordering information

EX-FIX PM01:316L pole mounting adapter for EX wall mounting bracket F (5 kg)

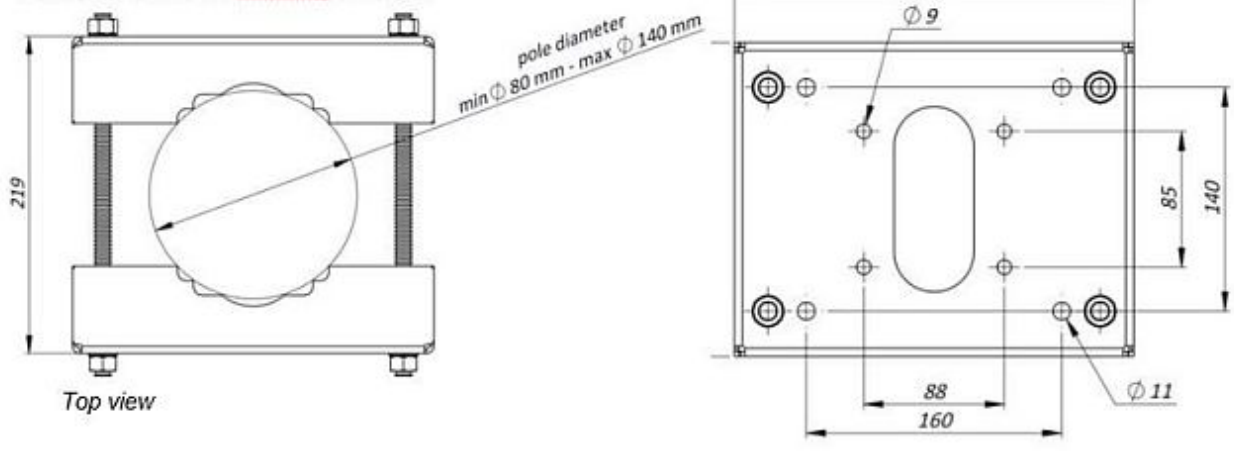
EX-FIX PTM01	316L Pole TOP Mounting bracket for EX fixed camera housing (2 kg)
EX-FIX WM01	316L wall mounting bracket for EX fixed camera housings (5 kg)
EX-PTZ WM01	316L wall mounting bracket for EX PTZ camera stations (8 kg)
EX/SA-MB-2FIX	316L bracket for mounting EX/SA-FIX with EX/SA-FIX IR illuminator
Note: Fits on EX-FIX WM01 wall mount or EX-FIX PTM01 pole top mount.	

EX WALL MOUNTING BRACKET PTZ DIMENSIONS

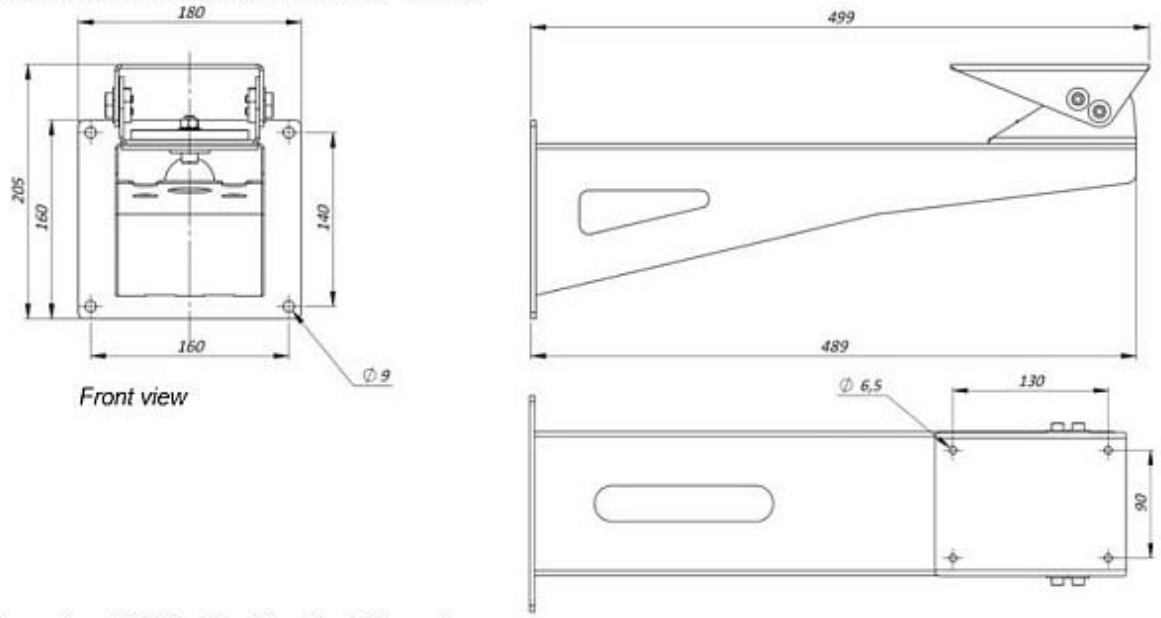
Dimensions EX wall mounting bracket PTZ (in mm)



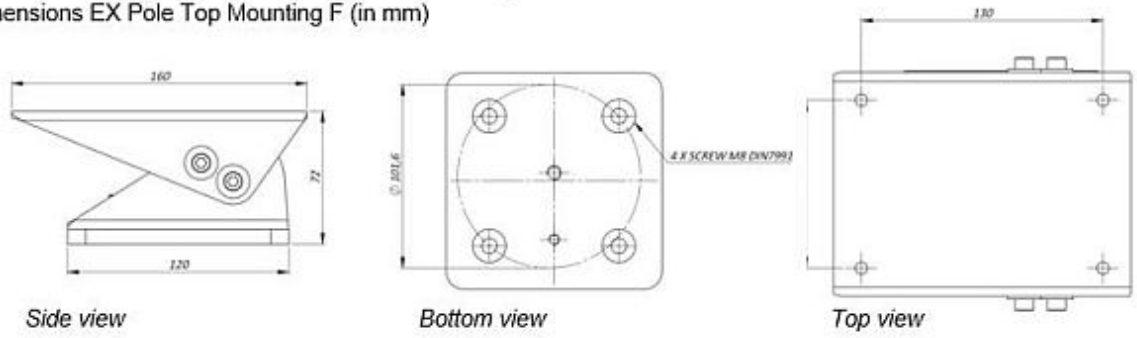
Dimensions EX pole mounting adapter F



Dimensions EX wall mounting bracket F (in mm)



Dimensions EX Pole Top Mounting F (in mm)



EX/SA-MB-2FIX DIMENSIONS IN MM

