

EX-PTZ D SERIES

EX PTZ Dual Spectrum Camera 316L

DESCRIPTION

The EX-PTZ D camera housing is a rugged corrosion proof dual head camera station designed for use in onshore, offshore, marine and heavy industrial environments. The combination of thermal imaging and daylight cameras facilitates 24/7 remote camera surveillance and analytics. The camera housing is not sold separately, it is only available in combination with a Siqura daylight camera module, such as the 33x zoom BC822v2H3-AS, 22x zoom 4K BC980H2-AS, or 4x zoom BC840v2-M04-AS, a thermal module from the TC-336 or TC-640 series, and an interface/cable tail (INT-RJ)

FEATURES

Corrosion protected 316L stainless-steel

ATEX, IECEx, UKEX and INMETRO certified

Dual head camera for day- and night-vision

Grid protected germanium window (diameter 50 mm)

Suited for 9, 13, 19, 25, 35, 50 mm thermal lenses

IP66 / IP67

Integrated power supply (24, 115 or 230 Vac)

Integrated heaters and wiper

Electro-polished 316L sun-shields

Low maintenance



Description

Thermal imaging

The EX-PTZ D is fitted with a germanium window, which makes the camera suitable for long-wave infrared (LWR) thermal imaging. Siquira's TC-336 and TC-640 thermal modules are made to fit this camera. Its grid protected window is suitable for lenses from 9 mm up to 50 mm.

Day-light camera

The other head is fitted with Siquira's 30x zoom ip camera, the bc822v2H3-AS or 22x zoom 4K camera, BC980H2. This head is standard equipped with a wiper and prepared for a washer installation. A 10 litre pressurized washer tank can be obtained separately.

Corrosion free 316L construction

The dual head PTZ camera is made of corrosion proof 316L stainless steel suited to operate in salty or sulfur rich environments. The hard carbon coated germanium window is additionally protected by a 316L grid.

ATEX, IECEx, UKEX and INMETRO certified

The EX-PTZ D is fully certified for hazardous areas zone 1 and 2 for gas and zone 21 and 22 for dust for Europe (ATEX), world-wide (IECEx), United kingdom (UKEX), and for Brazil (INMETRO). The certification includes the thermal module from the TC-336 or TC-640 series and the daylight camera (BC822v2H3-AS or BC980H2 or BC840v2-M04-AS).

Integrated heaters

Both camera heads are fitted with a thermal controlled heater. It regulates the humidity inside the camera and prevents ice or condensation forming on the germanium or optical window.

Mechanical	
Certification	ATEX; IECEx, INMETRO, UKEX
Rating	Ex db op pr IIC T6 Gb -40°C Tamb +60°C Ex tb III C T85°C Db -40°C Tamb +60°C Ex db op pr IIB T5 Gb -40°C Tamb +75°C Ex tb IIIC T100°C Db -40°C Tamb +75°C
Ingress protection rating	IP66 / IP67
Impact rating (casing)	IK10
Body material	Electro-polished 316L stainless steel
Thermal Window	AR/DLC germanium window
- Size	diameter 50 mm; with protective grid
Optical Window	High-Grade Tempered Optical Glass
- Size	diameter 75 mm; 10 mm thick
Sunshield	2x, Standard
Rotation	360° Continuous rotation
Tilt angle	+90° to -90°
Variable speed	up to 36°/sec pan and 18°/sec tilt (peak)
Drive mechanism	Direct drive
Backlash	0.1°
Preset accuracy	0.04°
Operating temperature (Tamb)	-20 °C to +75 °C (-4 °F to +167 °F)
Relative humidity	5% to 100%
Cable entry	1x M25x1.5
Weight	43.5 kg

Electrical			
Power rating	EX-PTZ24D	EX-PTZ115D	EX-PTZ230D
	24 Vac +/-10%	115 Vac +/-10%	230 Vac +/-10%
	50/60Hz	50/60Hz	50/60Hz
Max power consumption	120W	120W	120W
Internal Heater	2x, Standard		
- Heater control	On:12°C +/- 4°C; Off: 20°C +/- 3°C		
Integrated wiper	Standard on the optical window		

Ordering information	
EX-PTZ24D	EX PTZ Dual Spectrum Camera 316L 24VAC
EX-PTZ115D	EX PTZ Dual Spectrum Camera 316L 115VAC
EX-PTZ230D	EX PTZ Dual Spectrum Camera 316L 230VAC

Maintenance kits	
EX-MK PTZ	Maintenance kit EX PTZ camera: O-Ring, screws, desiccant bags
EX/SA-Wiper	Replacement for Stainless steel wiper (complete assembly)

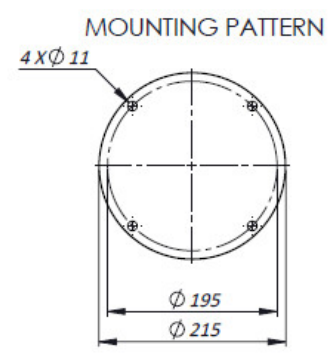
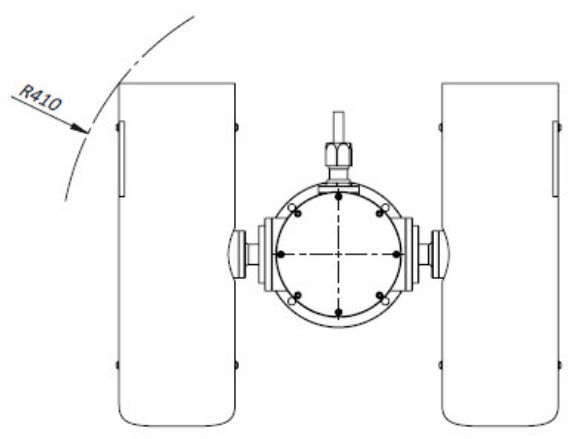
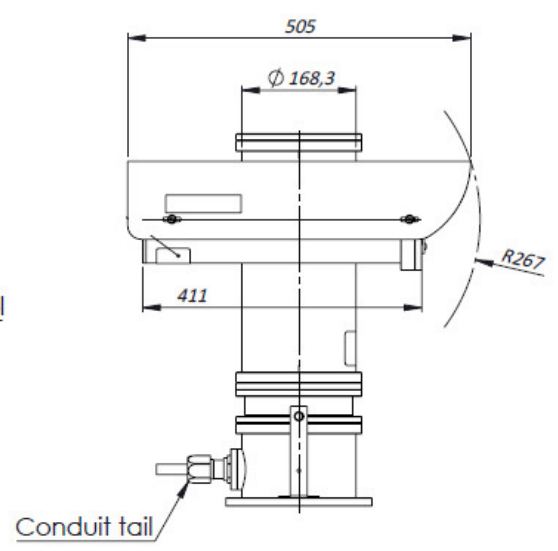
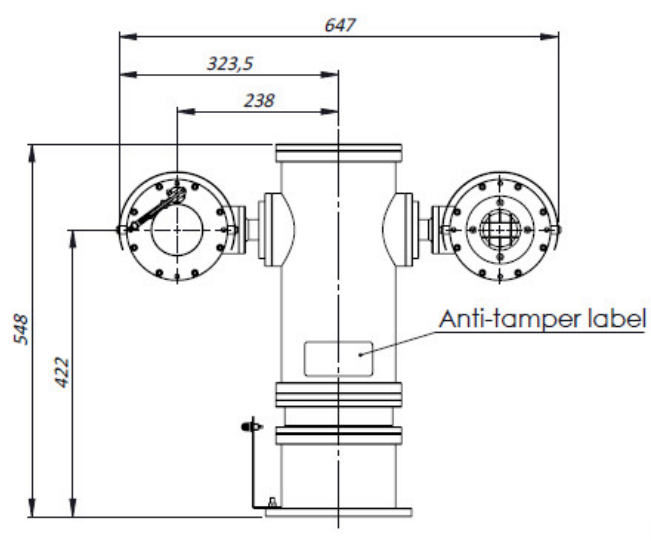
Housing	Optical camera			Thermal camera		Interface					
	BC822v2H3-AS	BC980H2-AS	BC840v2-M04-AS	TC(R1) ² -336	TC(R1) ² -640	INT-RJ	INT-RJ5 INT-RJ10	INT-SM	INT-SM5 INT-SM10	INT-MM	INT-MM5 INT-MM10
EX-FIX24 ¹	✓	✓	✓			✓	✓	✓	✓	✓	✓
EX-FIX24W	✓	✓	✓			✓	✓	✓	✓	✓	✓
EX-FIX24T				✓	✓	✓	✓	✓	✓	✓	✓
EX-PTZ24	✓	✓	✓			✓	✓	✓	✓	✓	✓
EX-PTZ24T				✓	✓	✓	✓	✓	✓	✓	✓
EX-PTZ24D	✓	✓	✓	✓	✓	✓	✓	✓ ³	✓ ³	✓ ³	✓ ³
EX-PTZ24D-IR	✓	✓	✓			✓	✓	✓	✓	✓	✓

¹: This table also applies to the EX cameras versions for 115 Vac and 230 Vac.

²: R1 version is needed for hot-spot detection.

³: Special arrangements needed. Please contact TKH Security.

EX PTZ D DIMENSIONS IN MM



RELATED



Siqura BC822v2H3-AS

Assembly 33x zoom IP camera, 3MP, AF, Day/night, H.265/H.264



TKH Security BC980H2-AS

8MP IP Box camera with integrated 22x zoom lens



Siqura TC-336 and TC-640

Assembly thermal modules 336x256 or 640x512



Siqura INT-RJ / INT-SM / INT-MM

Network Interface and cable tail of the Siqura SA or EX cameras



Siqura EX-JB01

316L Ex e termination box for EX cameras



Siqura EX WP10

10 litres pressurized water tank in 316L cabinet



Siqura EX mounting accessories

316L Mounting accessories for the EX-FIX and EX-PTZ series