

SIQURA

UP-JB

Pole top mount with integrated junction box for Upxx

DESCRIPTION

The UP-JB is an unique pole top mount bracket annex junction box for the UP Upright PTZ series. All connection with the camera are in the watertight junction box. Its special design makes installation easy.

FEATURES

Pole top mount for UP33 and UP36

Integrated watertight junction box

Die-cast aluminum

Easy to install

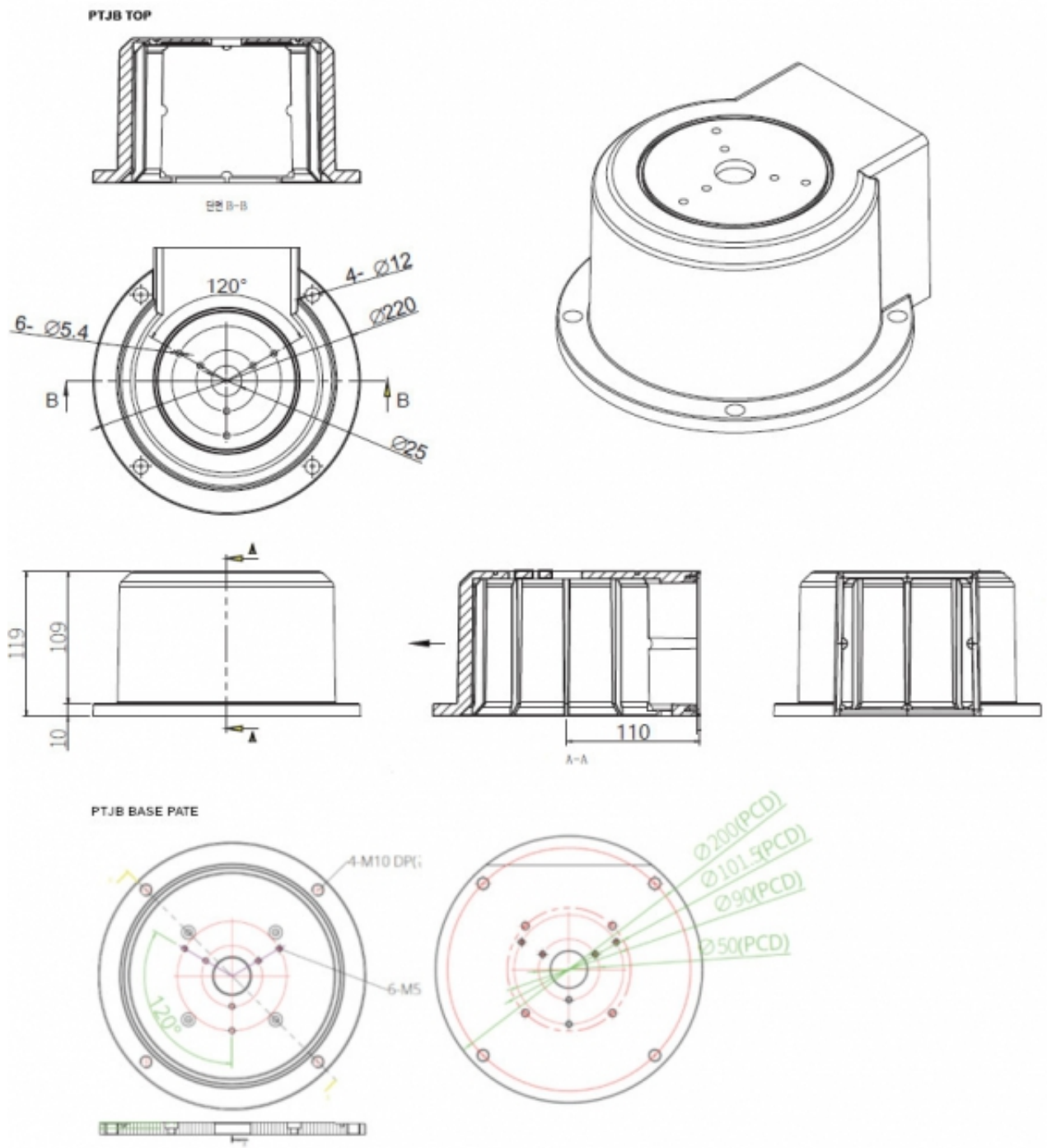


UP-PM

Material	Die-cast Aluminum
Finish	powder coated
Ingress protection	IP66
Weight	2 kg Aprox.

Ordering info:

UP-JB	Pole top mount with integrated junction box for Upxx
UP-WM	Wall mount bracket for UPxx







RELATED



Siqura UP33
Upright PTZ 33x zoom



Siqura UP36
Upright PTZ 36x zoom



Siqura UP-WM
Wall mount bracket for UPxx
