

UP-WM

Wall mount bracket for UPxx

DESCRIPTION

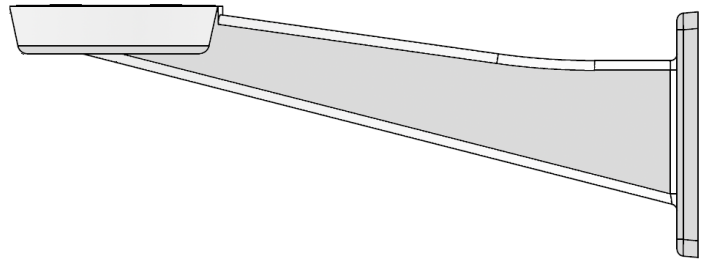
The UP-WM wall-mount bracket is specially designed for the UP-series cameras. Its slim but robust design gives the camera proper stability and a neat installation, hiding the connection cords.

FEATURES

Wallmount for UP33 and UP36

Die-cast aluminum

360° view



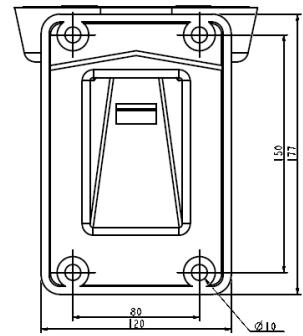
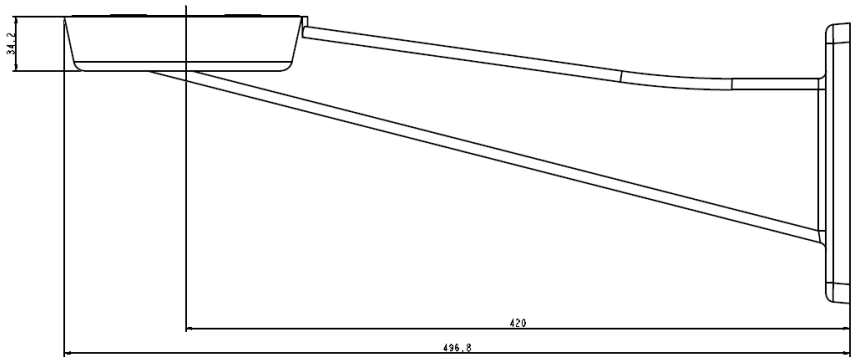
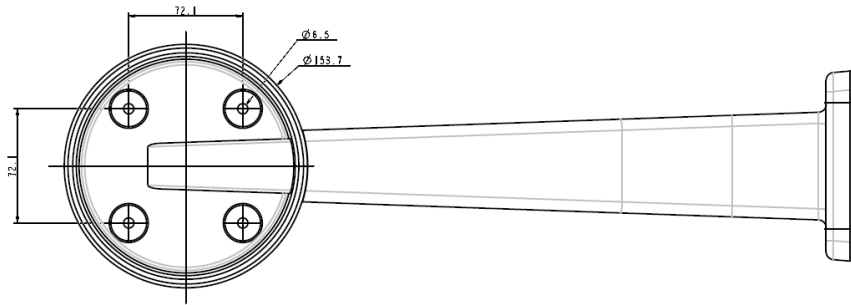
UP-WM

Material	Die-cast Aluminum
Finish	powder coated
Cable management	yes

Ordering info:

UP-WM	Wall mount bracket for UPxx
-------	-----------------------------

DIMENSION UP-WM IN MM



RELATED



Siqura UP33
Upright PTZ 33x zoom



Siqura UP36
Upright PTZ 36x zoom
