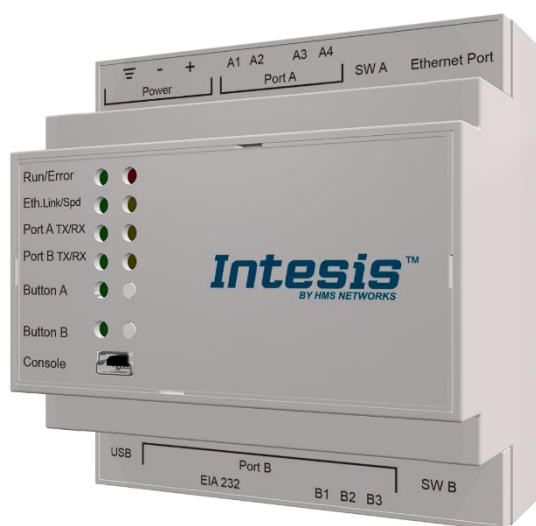


Modbus Server

M-Bus

USER MANUAL

Issue date: 11/2022 r1.5 ENGLISH



Important User Information

Disclaimer

The information in this document is for informational purposes only. Please inform HMS Industrial Networks of any inaccuracies or omissions found in this document. HMS Industrial Networks disclaims any responsibility or liability for any errors that may appear in this document.

HMS Industrial Networks reserves the right to modify its products in line with its policy of continuous product development. The information in this document shall therefore not be construed as a commitment on the part of HMS Industrial Networks and is subject to change without notice. HMS Industrial Networks makes no commitment to update or keep current the information in this document.

The data, examples and illustrations found in this document are included for illustrative purposes and are only intended to help improve understanding of the functionality and handling of the product. In view of the wide range of possible applications of the product, and because of the many variables and requirements associated with any particular implementation, HMS Industrial Networks cannot assume responsibility or liability for actual use based on the data, examples or illustrations included in this document nor for any damages incurred during installation of the product. Those responsible for the use of the product must acquire sufficient knowledge in order to ensure that the product is used correctly in their specific application and that the application meets all performance and safety requirements including any applicable laws, regulations, codes and standards. Further, HMS Industrial Networks will under no circumstances assume liability or responsibility for any problems that may arise as a result from the use of undocumented features or functional side effects found outside the documented scope of the product. The effects caused by any direct or indirect use of such aspects of the product are undefined and may include e.g. compatibility issues and stability issues.

Gateway for the integration of M-Bus meters into Modbus RTU and/or Modbus TCP monitoring and control systems.

ORDER CODE	LEGACY ORDER CODE
INBSMEB0100000	IBBSMEB0100000
INBSMEB0200000	IBBSMEB0200000
INBSMEB0600000	IBBSMEB0600000
INBSMEB1200000	IBBSMEB1200000

INDEX

1	Description	5
1.1	Introduction	5
1.2	Functionality	6
1.3	Gateway's capacity	7
2	M-Bus System	8
2.1	Description	8
2.2	M-Bus interface	8
2.3	M-Bus signals	8
3	Modbus interface of Intesis	10
3.1	Description	10
3.2	Functions supported	10
3.3	Modbus RTU	10
3.4	Modbus TCP	10
3.5	Address Map	10
3.6	Points definition	11
4	Connections	12
4.1	Powering the device	13
4.2	Connection to M-Bus	13
4.3	Connection to Modbus	13
4.3.1	Modbus TCP	13
4.3.2	Modbus RTU	13
4.4	Connection to the configuration tool	13
5	Set-up process and troubleshooting	14
5.1	Pre-requisites	14
5.2	Intesis MAPS. Configuration & monitoring tool for Intesis Modbus series	14
5.2.1	Introduction	14
5.2.2	Connection	14
5.2.3	Configuration tab	15
5.2.4	Signals	15
5.2.5	Sending the configuration to Intesis	16
5.2.6	Diagnostic	16
5.3	Set-up procedure	18
6	Electrical & Mechanical Features	19
7	Dimensions	20

1 Description

1.1 Introduction

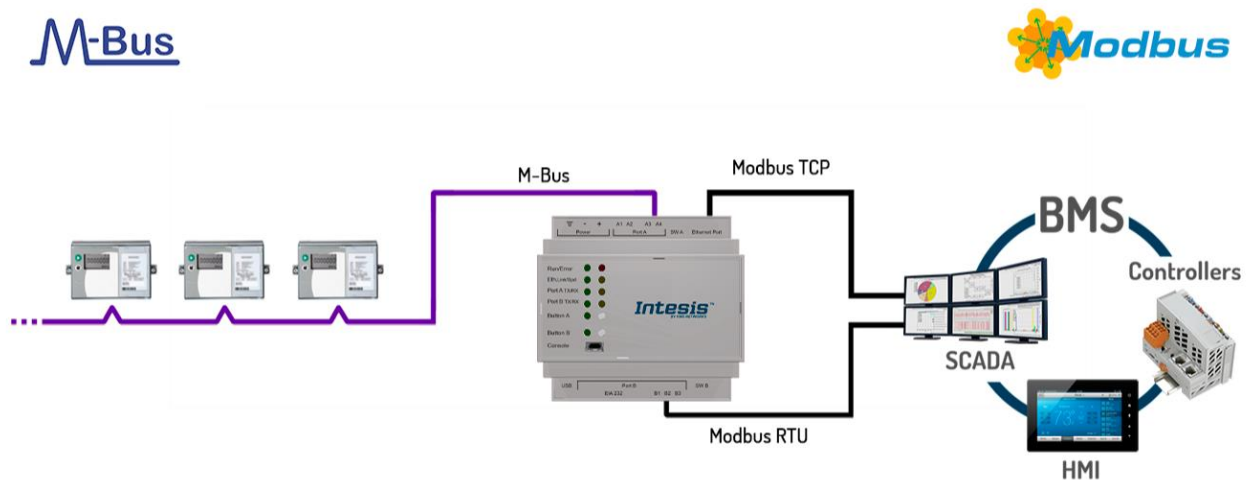
This document describes the integration of M-Bus devices into Modbus RTU and Modbus TCP systems using the *Intesis Modbus Slave – M-Bus* gateway.

The aim of this integration is to make accessible M-Bus devices from a Modbus control system or device, as if it was part of the own Modbus installation.

For this, Intesis acts as a Modbus TCP server or Modbus RTU slave device in its Modbus interface, allowing read/write points from the Modbus client device(s). From the M-Bus point of view, Intesis acts as a M-Bus level converter and master device (EN-1434-3). The readings of the M-Bus slave device(s) are performed by Intesis by automatic continuous polling or underdemand (to avoid batteries on meters run out).

Configuration is carried out using the configuration software Intesis™ MAPS.

This document assumes that the user is familiar with M-Bus and Modbus technologies and their technical terms.



Integration of M-Bus devices into Modbus TCP or Modbus RTU control and monitoring systems

1.2 Functionality

Intesis polls, either continuously or only when ordered from the Modbus side, the M-Bus devices to obtain updated readings for the points configured in it (the points corresponding to measures and states of the meters in the integration points list explained later in this document). With every read, the new values received are updated in the Intesis's memory and become available in the Modbus side. When a change in any point configured as output in Intesis is detected (this is written from the Modbus side), the corresponding action in the M-Bus device will be performed. These actions can be: force a polling of a specific M-Bus device or force a polling of all M-Bus devices.

The polling of a specific M-Bus device, or of all M-Bus devices, can be forced in any moment from the Modbus side by writing a 1 in the corresponding binary point specially enabled for this purpose in the Intesis.

The automatic continuous polling of all M-Bus devices can be activated/deactivated writing from Modbus in a specific binary point specially enabled for this purpose in the Intesis.

Other M-Bus information accessible from Modbus, using specific points of the Intesis, is:

- Bus activity (indicates if meters are currently being polled or if polling is in stand-by).
- M-Bus status of every meter (this M-Bus status is sent by the own meter with every poll and indicates the internal status, manufacturer specific in every case).

These are the main features of the M-Bus interface of Intesis:

- Embedded level converter. Direct connection to M-Bus devices with no extra hardware required.
- Scan option to automatically detect M-Bus devices and its available registers.
- Import/Export of M-Bus device templates.
- EIA485 two wires (plug-in terminal bloc with screws) connection.
- Baud rate configurable from 300 to 9600 bps (allowed baud rates in M-Bus. The devices are normally configured at 2400 bps at the factory).
- Primary or secondary addressing allowed.
- Useful timeouts and specific parameters to make the interface widely compatible with many meter's peculiarities found usually between different manufacturers.
- Polling of the meters can be continuously, either configured in the own Intesis or you can activate/deactivate continuous polling of the meters from Modbus side using a special datapoint.
- You can force a polling of the meters (refresh of readings) in any moment from Modbus side using special datapoints: one datapoint to force a polling of all the meters, and one specific datapoint per meter to force the polling of the individual meter.
- Intesis can also be configured to make a single polling of the meters (refresh of readings) at the start up.
- For each meter, a datapoint is available in Modbus indicating communication error with the meter, also a general communication error datapoint is available (that will be active whenever the communication with one or more meters has failed).
- Fully flexible configuration of the registers to poll in the meter, to adapt to any meter.

Every meter, depending on manufacturer and model, offers different type of signals from the mentioned before. To know what signals offers the meter and of what type, to be able to integrate those wanted, refer to the device technical documentation. Anyway, and to ease and speed up the identification of the signals offered by any device (and of what type), the scan option is highly recommended or the import of templates too.

1.3 Gateway's capacity

Intesis capacity is listed below:

Element	10 version	20 version	60 version	120 version	Notes
Type of Modbus Master devices	Modbus RTU (EIA485 or EIA232) Modbus TCP				Those supporting Modbus <i>protocol</i> . Communication over TCP/IP and RTU.
Number of Modbus Master devices	1 Master device per RTU Node Up to 6 TCP connections				Number of Modbus Master devices supported by the device.
Number of Modbus registers	250	500	1500	3000	Maximum number of points that can be defined in the virtual Modbus Slave/Server device inside the gateway.
Type of M-Bus devices	M-Bus EIA485 Slave devices				Those supporting M-Bus EN-1434-3 <i>Standar</i> . Communication over EIA485.
Number of M-Bus slave devices	10	20	60	120	Number of M-Bus slave devices supported by the gateway.
Number of M-Bus signals	250	500	1500	3000	Number of M-Bus signals (readings in the meters) that can be read from Intesis.

2 M-Bus System

In this chapter, a brief description of functionality and features of M-Bus is provided.

2.1 Description

The M-Bus ("Meter-Bus") is a European standard for remote reading of heat meters and it is also usable for all other types of consumption meters as well as for various sensors and actuators.

M-Bus standards are:

- EN 13757-2 (physical and link layer).
- EN 13757-3 (application layer).

Many manufacturers of energy meters, pulse counters, water meters, electricity meters, etc. add to their devices an M-Bus interface, enabling them to be interconnected and remote measured through a 2-wire bus based on the standards of M-Bus. There are many manufacturers of these measurement devices incorporating M-Bus interface and also some other manufacturers of specific communication M-Bus devices like bus repeaters, EIA232/EIA485 to M-Bus level converters, etc.

2.2 M-Bus interface

The gateway connects to the M-Bus system directly without requiring an external level converter.

Connection to the M-Bus is done by EIA485 connection. Notice that the the gateway is also powering the bus, so no extra hardware is required to connect with M-Bus compatible meters or devices.

2.3 M-Bus signals

Intesis Modbus Server - M-Bus can read the following type of signals offered by M-Bus devices:

- Energy meters:

- Energy (kWh or J).
- Volume (m3, feet3, gallon).
- Power (kW or J/h).
- Volume flow (m3/h, m3/min or m3/s, gallon/h, gallon/min, gallon/s).
- Mass flow (kg/h).
- Flow Temperature (°C).
- Return Temperature (°C).
- Temperature difference (K).
- External Temperature (°C).
- Temp. limit (°C).
- Pressure (Bar).
- Vols (volts).
- Amps (amps).
- H.C.A., without units. (Multipurpose signal used, for example, by some energy meters to offer the readings of auxiliary pulse counter inputs of the device).
- On Time, normally in hours but depends on the meter.
- Operating Time, normally in hours but depends on the meter.
- Averaging Duration, normally in hours but depends on the meter.
- Actuality Duration, normally in hours but depends on the meter.
- And others.

- Electricity meters:

These are the type of signals more frequently offered by M-Bus devices and used by energy meters and electricity meters. The reading of other more specific type of signals also specified in the standard M-Bus, for example date/time, could be also implemented in Intesis on demand, contact your nearest distributor for details.

Every meter, depending on manufacturer and model, offers different type of signals from the mentioned before. To know what signals offers the device and of what type, to be able to integrate those wanted, refer to the device technical documentation. Anyway, and to ease and speed up the identification of the signals offered by any device (and of what type), it has been embedded in the firmware of Intesis a utility to poll the meter and show details about the signals offered by the device and the corresponding signal code needed in the signals list of Intesis for every one of the signals to integrate. This is explained in more detail in Annex I of this document.

3 Modbus interface of Intesis

3.1 Description

Intesis acts as a slave device in its Modbus interface, this interface can be the Ethernet port (if using Modbus TCP), or the EIA232 port or the EIA485 port (if using Modbus RTU). To access the points and resources of the Intesis from a Modbus Master device, you must specify as the Modbus register addresses, those configured inside Intesis corresponding to M-Bus signals. See details below in this document.

The Intesis is able to have Modbus RTU mode active, Modbus TCP mode active, or both modes active at the same time.

3.2 Functions supported

This part is common for Modbus TCP & RTU.

Modbus functions 01 and 02 (coils and digital input registers) can be used to read Modbus registers.

Modbus functions 03 and 04 (read holding registers and read input registers) can be used to read Modbus registers.

Modbus functions 05 and 15 (Single digital Holding Registers and Write Multiple Holding Registers) can be used to write Modbus registers.

Modbus functions 06 and 16 (Single Multiple Holding Registers and Write Multiple Holding Registers) can be used to write Modbus registers.

If poll records are used to read or write more than one register, it is necessary that the range of addresses requested contains valid addresses; if not the corresponding Modbus error code will be returned.

All the registers are of 2 bytes, even if they are associated to signals of type bit in the external system, and its content is expressed in MSB..LSB.

Modbus error codes are fully supported; they will be sent whenever a non-valid Modbus action or address is required

3.3 Modbus RTU

Baud rate can be selected from 1200, 2400, 4800, 9600, 19200, 38400, 56700 and 115200.

Data Bits:8

Parity can be selected from: none, even, odd.

Stop Bits:1 and 2.

Modbus slave number can be configured. Physical connection (EIA232 or EIA485) can also be selected.

Only the lines RX, TX and GND of the EIA232 connector are used (TX/RX+ and TX/RX- for EIA485).

3.4 Modbus TCP

The TCP port to use can be configured (by default 502 is used).

The IP address, subnet mask and default router address to use by Intesis can be also configured.

3.5 Address Map

The Modbus address map is fully configurable; any point in the Intesis can be freely configured with the desired Modbus register address.

3.6 Points definition

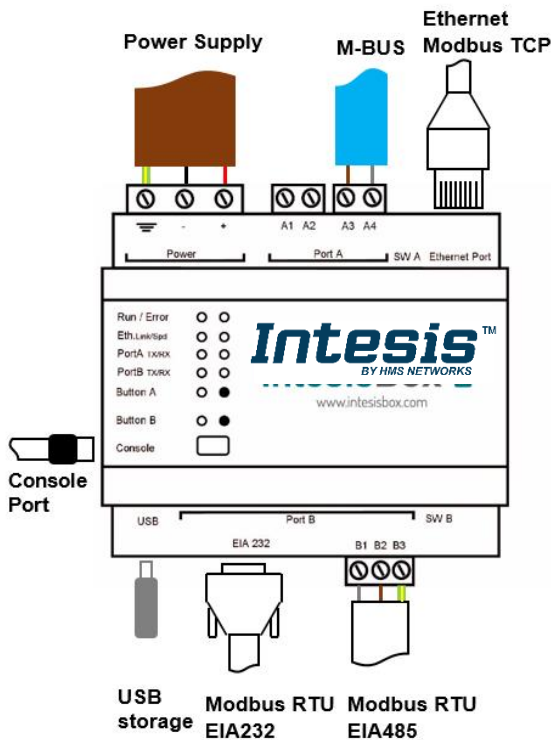
Every point defined in the gateway has the Modbus Format, Point and R/W features associated to it that can be configured. These features are explained in section 5.2.4.

Each point defined in Intesis has the following Modbus features associated to it:

Feature	Description
#Bits	<p>One of the following bit lengths can be used:</p> <ul style="list-style-type: none"> • 1 bit • 16 bits • 32 bits
Data Coding Format	<p>One of the following Modbus data coding formats can be used:</p> <ul style="list-style-type: none"> • 16/32 unsigned. • 16/32 bits signed (one's complement – C1). • 16/32 bits signed (two's complement – C2). • 16/32 bits Float. • 16/ bits Bitfields. • Error comm
Function code	<p>One of the following Modbus function codes can be used:</p> <ul style="list-style-type: none"> • 1- Read Coils. • 2- Read Discrete Inputs. • 3- Read Holding Registers. • 4- Read Input Registers. • 5- Write Single Coil. • 6- Write Single Register. • 15- Write Multiple Coils. • 16- Write Multiple Registers.
Byte Order	<ul style="list-style-type: none"> • Big Endian • Little Endian • Word Inverted Big Endian • Word Inverted Little Endian
Register Address	The Modbus register address inside the slave device for the point.
Bit inside the register	<p>Bit inside the Modbus register (optional). The gateway allows bit decoding from generic 16 bits input/holding Modbus registers.</p> <p><i>Bit coding into 16 bits input/holding Modbus registers is used for some devices to encode digital values into this type of registers, being these registers normally accessible using Modbus function codes 3 and 4 (read holding/input registers).</i></p>
Read/Write	<p>0: Read 1: Write 2: Read / Write</p>

4 Connections

Find below information regarding the Intesis connections available.



Power Supply

Must use NEC Class 2 or Limited Power Source (LPS) and SELV rated DC power supply. Respect polarity applied of terminals (+) and (-). Be sure the voltage applied is within the range admitted (check table below). The power supply must be connected to earth.

Ethernet / Modbus TCP

Connect the cable coming from the IP network to the connector ETH of the gateway. Use an Ethernet CAT5 cable. If communicating through the LAN of the building, contact the network administrator and make sure traffic on the port used is allowed through all the LAN path (check the gateway user manual for more information). With factory settings, after powering up the gateway, DHCP will be enabled for 30 seconds. After that time, if no IP is provided by a DHCP server, the default IP 192.168.100.246 will be set.

PortA / MBUS

Connect the MBUS bus to connectors A3 (+) and A4 (-) of gateway's PortA. Intesis provides 36VDC M-Bus voltage to the bus.

PortB / Modbus RTU

Connect the EIA485 bus to connectors B2 (+), B1 (-) and A1 or A2 (SNGD) or to connectors B1 (-), B2 (+) and B3 (SNGD) of gateway's PortB. Respect the polarity.

Note for PortB; Remember the characteristics of the standard EIA485 bus: maximum distance of 1200 meters, maximum 32 devices connected to the bus, and in each end of the bus it must be a termination resistor of 120 Ω. The gateway has an internal bus biasing circuit that incorporates the termination resistor. If you install the gateway in one of the ends of the bus, then do not install an additional termination resistor in that end.

Connect the serial cable EIA232 coming from the external serial device to the EIA232 connector of gateway's PortB. This is a DB9 male (DTE) connector in which only the lines TX, RX and GND are used. Details of the pinout can be seen in the user's manual. Respect the maximum distance of 15 meters.

Console Port

Connect a mini-type B USB cable from your computer to the gateway to allow communication between the Configuration Software and the gateway. Remember that Ethernet connection is also allowed. Check the user manual for more information.

USB

Connect a USB storage device (not a HDD) if required. Check the user manual for more information.

Ensure proper space for all connectors when mounted (see section 7).

4.1 Powering the device

A power supply working with any of the voltage range allowed is needed (check section 6). Once connected the RUN led (Figure above) will turn on.

WARNING! In order to avoid earth loops that can damage the gateway and/or any other equipment connected to it, **is mandatory to use DC power supplies connected to earth.**

4.2 Connection to M-Bus

Connect the M-Bus bus to connectors A3 (+) and A4 (-) of gateway's PortA.

Remember that the Intesis provides 36VDC M-Bus voltage to the bus, acting as a M-Bus level converter as well.

In case there is no response from the M-Bus device(s) to the frames sent by Intesis, check that they are operative and reachable from the network connection used by Intesis. You can use an EIA-485-to-USB converter and a M-Bus Master software (such as MBSheet or similar) to double check the M-Bus installation.

4.3 Connection to Modbus

4.3.1 Modbus TCP

Connect the communication cable coming from the Modbus TCP Master to the Ethernet port of Intesis. The cable to be used shall be a straight Ethernet UTP/FTP CAT5 cable.

4.3.2 Modbus RTU

In case of using an EIA485 connection, connect the communication cable coming from the Modbus network to the port marked as Modbus of Intesis. Connect the EIA485 bus to connectors B2 (+), B1 (-) and A1 or A2 (SNGD) or to connectors B1 (-), B2 (+) and B3 (SNGD) of gateway's PortB. Respect the polarity.

Remember the characteristics of the standard EIA485 bus: maximum distance of 1200 meters, maximum 32 devices connected to the bus, and in each end of the bus it must be a termination resistor of 120 Ω . The gateway has an internal bus biasing circuit that incorporates the termination resistor. If you install the gateway in one of the ends of the bus, then do not install an additional termination resistor in that end.

In case of using an EIA232 connection, connect the serial cable EIA232 coming from the external serial device to the EIA232 connector of gateway's PortB. This is a DB9 male (DTE) connector in which only the lines TX, RX and GND are used. Details of the pinout can be seen in the user's manual. Respect the maximum distance of 15 meters.

4.4 Connection to the configuration tool

This action allows the user to have access to configuration and monitoring of the device (more information can be found in the configuration tool User Manual). Two methods to connect to the PC can be used:

- **Ethernet:** Using the Ethernet port of Intesis.
- **USB:** Using the console port of Intesis, connect a USB cable from the console port to the PC.

5 Set-up process and troubleshooting

5.1 Pre-requisites

It is necessary to have a M-Bus installation, device or interface operative and well connected to the corresponding M-Bus port of Intesis and a Modbus RTU Master or Modbus TCP client connected to their corresponding ports as well.

Connectors, connection cables, PC to use the configuration tool and other auxiliary material, if needed, are not supplied by HMS Industrial Networks S.L.U for this standard integration.

Items supplied by HMS Networks for this integration are:

- Intesis gateway.
- Link to download the configuration tool.
- Product documentation.

5.2 Intesis MAPS. Configuration & monitoring tool for Intesis Modbus series

5.2.1 Introduction

Intesis MAPS is a Windows® compatible software developed specifically to monitor and configure Intesis Modbus Server series.

The installation procedure and main functions are explained in the *Intesis MAPS User Manual*. This document can be downloaded from the link indicated in the installation sheet supplied with the Intesis device or in the product website at www.intesis.com

In this section, only the specific case of Modbus to M-Bus systems will be covered.

Please check the Intesis MAPS user manual for specific information about the different parameters and how to configure them.

5.2.2 Connection

To configure the Intesis connection parameters press on the **Connection** button in the *menu bar*.

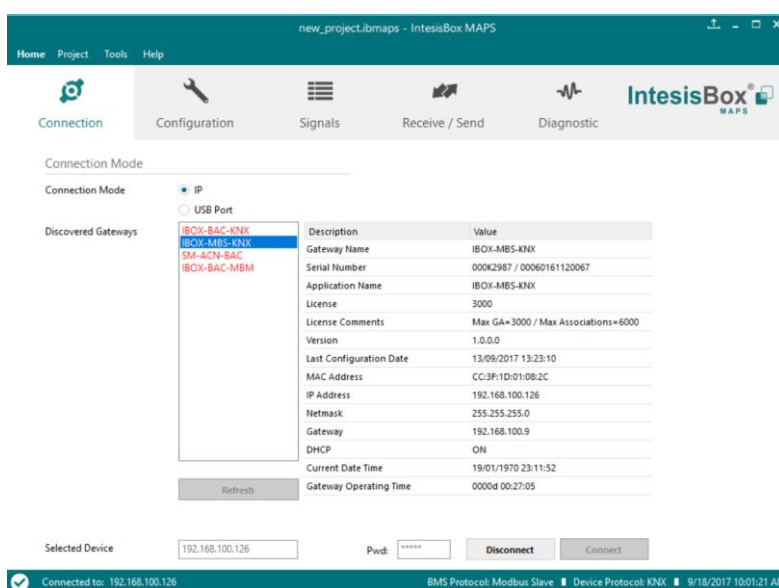


Figure 5.1 MAPS connection

5.2.3 Configuration tab

Select the **Configuration** tab to configure the connection parameters. Three subsets of information are shown in this window: General (Gateway general parameters), Modbus Slave (Modbus interface configuration) and M-Bus (M-Bus interface parameters).

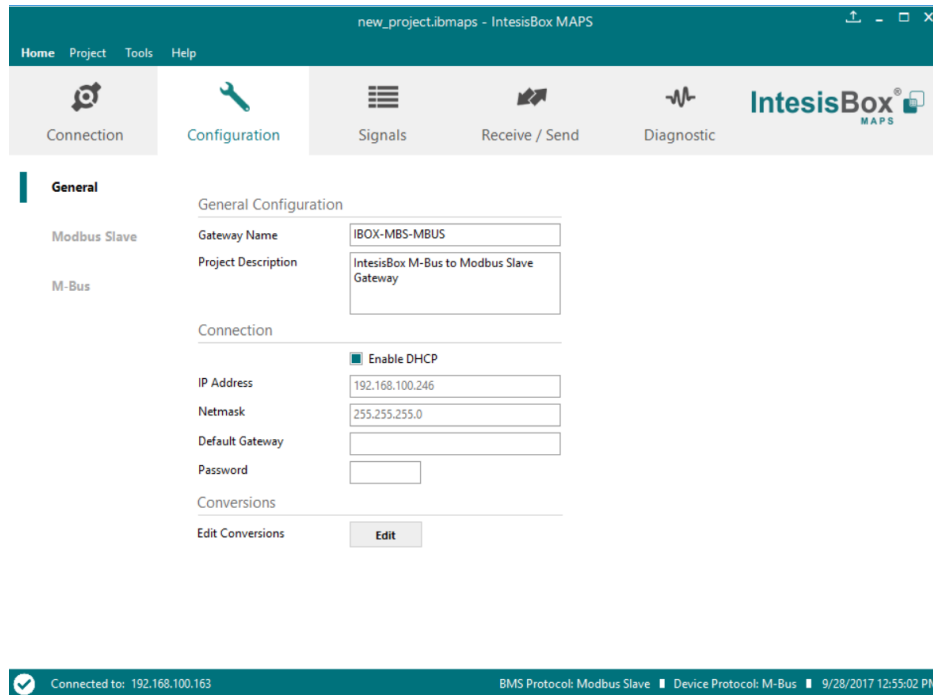


Figure 5.2 Intesis MAPS configuration tab

5.2.4 Signals

All available objects, Object Instances, its corresponding Modbus register and other main parameters are listed in the signals tab. More information on each parameter and how to configure it can be found in the Intesis MAPS user manual.

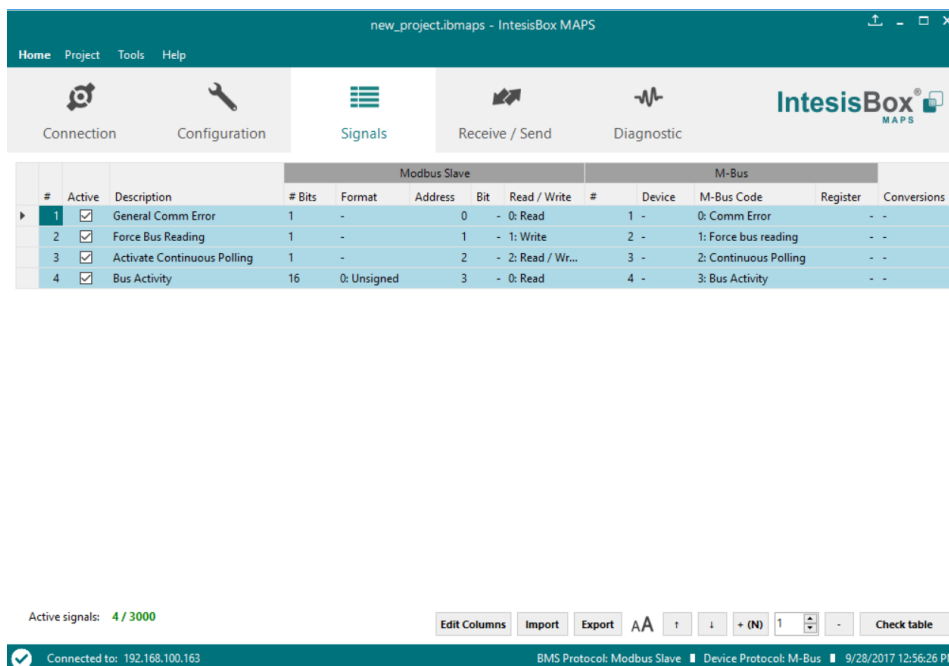


Figure 5.3 Intesis MAPS Signals tab

5.2.5 Sending the configuration to Intesis

When the configuration is finished, follow the next steps.

- 1.- Click on **Save** button to save the project to the project folder on your hard disk (more information in Intesis MAPS User Manual).
- 2.- You will be prompted to generate the configuration file to be sent to the gateway.
 - a.- If **Yes** is selected, the file containing the configuration for the gateway will be generated and saved also into the project folder.
 - b.- If **NO** is selected, remember that the binary file with the project needs to be generated before the Intesis starts to work as expected.
- 3.- Press the **Send File** button to send the binary file to the Intesis device. The process of file transmission can be monitored in the Intesis Communication Console window. Intesis will reboot automatically once the new configuration is loaded.

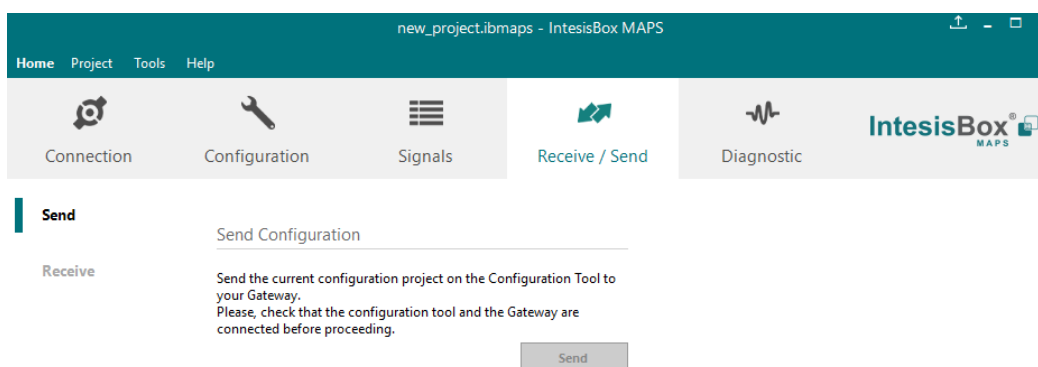


Figure 5.4 Intesis MAPS Receive/Send tab

After any configuration change, do not forget to send the configuration file to the Intesis using button Send File.

5.2.6 Diagnostic

To help integrators in the commissioning tasks and troubleshooting, the Configuration Tool offers some specific tools and viewers.

In order to start using the diagnostic tools, connection with the Gateway is required.

The Diagnostic section is composed by two main parts: Tools and Viewers.

- **Tools**

Use the tools section to check the current hardware status of the box, log communications into compressed files to be sent to the support, change the Diagnostic panels' view or send commands to the gateway.
- **Viewers**

In order to check the current status, viewer for the Internal and External protocols are available. It is also available a generic Console viewer for general information about communications and the gateway status and finally a Signals Viewer to simulate the BMS behavior or to check the current values in the system.

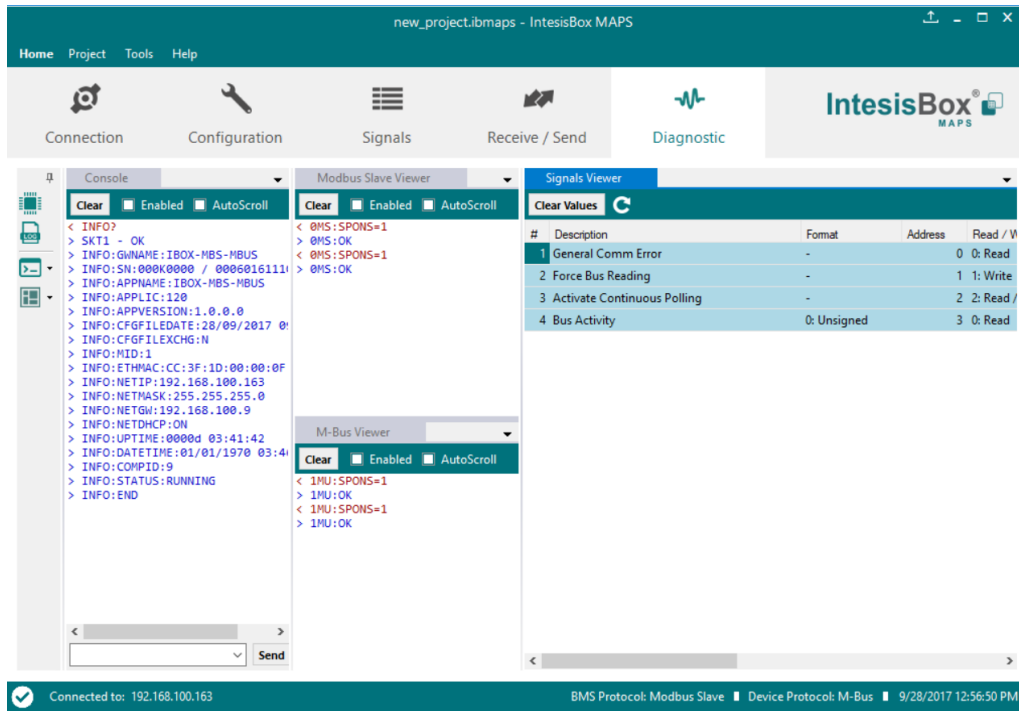


Figure 5.5 Diagnostic

More information about the Diagnostic section can be found in the Configuration Tool manual.

5.3 Set-up procedure

1. Install Intesis MAPS on your laptop, use the setup program supplied for this and follow the instructions given by the Installation wizard.
2. Install Intesis in the desired installation site. Installation can be on DIN rail or on a stable not vibrating surface (DIN rail mounted inside a metallic industrial cabinet connected to ground is recommended).
3. Connect the M-Bus communication cable coming from the M-Bus network to the port marked as Port A on Intesis (More details in section 4).
4. If using, Modbus RTU, connect the communication cable coming from the EIA485/EIA232 port of the Modbus RTU installation to the port marked as Port B of Intesis (More details in section 4).

If using, Modbus TCP, connect the communication cable coming from the Ethernet port of the Modbus TCP installation to the port marked as Port B of Intesis (More details in section 4).

5. Power up Intesis. The supply voltage should be any of the voltage range allowed (check section 6). Take care of the polarity of the supply voltage applied.

WARNING! In order to avoid earth loops that can damage Intesis and/or any other equipment connected to it, **is mandatory to use DC power supplies connected to earth.**

6. If you want to connect using IP, connect the Ethernet cable from the laptop PC to the port marked as Ethernet of Intesis (More details in section 0).

If you want to connect using USB, connect the USB cable from the laptop PC to the port marked as Console of Intesis (More details in section 0).

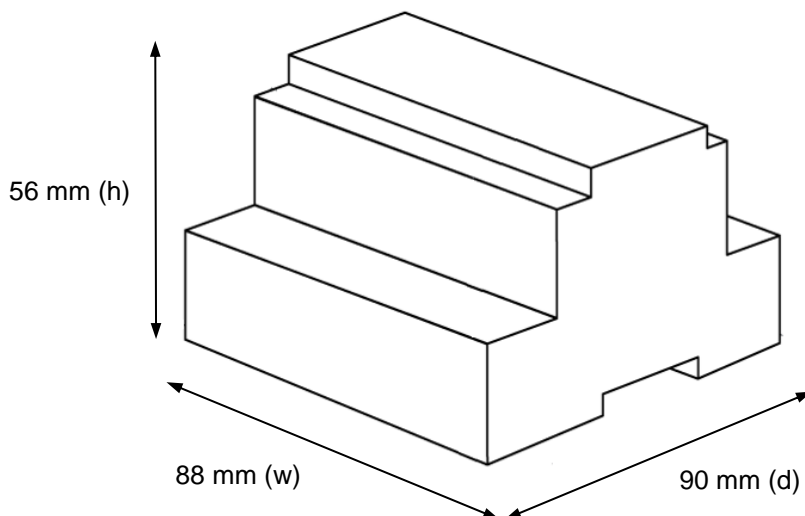
7. Open Intesis MAPS, create a new project selecting a copy of the one named **INMBSMEB---0000**.
8. Modify the configuration as desired, save it and download the configuration file to Intesis as explained in the Intesis MAPS user manual.
9. Visit the Diagnostic section and check that there is communication activity, some TX frames and some other RX frames. This means that the communication with the M-Bus installation and Modbus Master devices are OK. In case there is no communication activity between Intesis and the M-Bus and/or Modbus devices, check that those are operative: check the baud rate, the communication cable used to connect all devices and any other communication parameter.

6 Electrical & Mechanical Features



Enclosure	Plastic, type PC (UL 94 V-0) Net dimensions (d×w×h): 90x88x56 mm Recommended space for installation (d×w×h): 130x100x100mm Color: Light Grey. RAL 7035	Battery	Size: Coin 20mm x 3.2mm Capacity: 3V / 225mAh Type: Manganese Dioxide Lithium
Mounting	Wall. DIN rail EN60715 TH35.	Console Port	Mini Type-B USB 2.0 compliant 1500VDC isolation
Terminal Wiring (for power supply and low-voltage signals)	Per terminal: solid wires or stranded wires (twisted or with ferrule) 1 core: 0.5mm ² ... 2.5mm ² 2 cores: 0.5mm ² ... 1.5mm ² 3 cores: not permitted If cables are more than 3.05 meters long, Class 2 cable is required.	USB port	Type-A USB 2.0 compliant Only for USB flash storage device (USB pen drive) Power consumption limited to 150mA (HDD connection not allowed)
Power	1 x Plug-in screw terminal block (3 poles) Positive, Negative, Earth 24VDC +/-10%	Push Button	Button A: Check the user manual Button B: Check the user manual
Ethernet	1 x Ethernet 10/100 Mbps RJ45 2 x Ethernet LED: port link and activity	Operation Temperature	0°C to +60°C
Port A	1 x M-Bus Plug-in screw terminal block orange (2 poles) 1500VDC isolation from other ports Voltage rating: 36VDC / 210mA 1 x Plug-in screw terminal block green (2 poles) Reserved for future use	Operational Humidity	5 to 95%, no condensation
Switch A (SWA)	1 x DIP-Switch for PORT A configuration: Reserved for future use	Protection	IP20 (IEC60529)
PORT B	1 x Serial EIA232 (SUB-D9 male connector) Pinout from a DTE device 1500VDC isolation from other ports (except PORT B: EIA485) 1 x Serial EIA485 Plug-in screw terminal block (3 poles) A, B, SGND (Reference ground or shield) 1500VDC isolation from other ports (except PORT B: EIA232)	LED Indicators	10 x Onboard LED indicators 2 x Run (Power)/Error 2 x Ethernet Link/Speed 2 x Port A TX/RX 2 x Port B TX/RX 1 x Button A indicator 1 x Button B indicator
Switch B (SWB)	1 x DIP-Switch for serial EIA485 configuration: Position 1: ON: 120 Ω termination active Off: 120 Ω termination inactive Position 2-3: ON: Polarization active Off: Polarization inactive		

7 Dimensions



Recommended available space for its installation into a cabinet (wall or DIN rail mounting), with space enough for external connections

