

WGGS-2 Group Control Relay

Technical specifications and installation instructions

Item number 2032



1. Description

The **Group Control Relay WGGS-2** can operate up to two drives as a group. The built-in device can be fitted in a junction box, wiring channel or section.

1.0.1. Scope of delivery

- Group Control Relay

1.1. Technical Data

Installation	Mounting
Degree of protection	IP 20
Dimensions	approx. 38 x 47 x 30 (W x H x D, mm)
Weight	approx. 55 g
Ambient temperature	Operating -20...+70°C, Storage -55...+90°C
Ambient air humidity	max. 95% rH, avoid condensation
Operating voltage	230 V AC / 50 Hz
Control input	230 V AC, 50 Hz (Up/Down/N/PE)
Outputs	2 x drives, 230 V AC (Up/Down/N/PE), max. 500 W per output. Observe the maximum output of the power source!

The product conforms with the provisions of EU directives.

2. Installation and commissioning

2.1. Installation notes



Installation, testing, operational start-up and troubleshooting should only be performed by an electrician.



DANGER!

Risk to life from live voltage (mains voltage)!

There are unprotected live components within the device.

- VDE regulations and national regulations are to be followed.
- Ensure that all lines to be assembled are free of voltage and take precautions against accidental switching on.
- Do not use the device if it is damaged.
- Take the device or system out of service and secure it against unintentional use, if it can be assumed, that risk-free operation is no longer guaranteed.

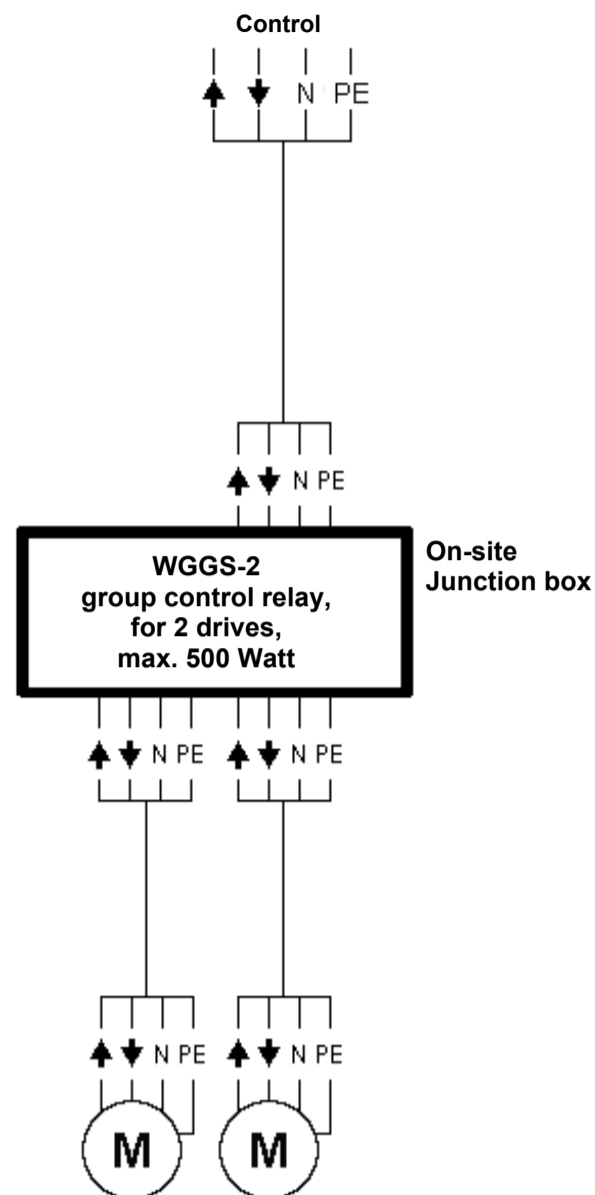
The device is only to be used for the intended purpose described in this manual. Any improper modification or failure to follow the operating instructions voids any and all warranty and guarantee claims.

After unpacking the device, check it immediately for possible mechanical damage. If it has been damaged in transport, inform the supplier immediately.

The device may only be used as a fixed-site installation; that means only when assembled and after conclusion of all installation and operational start-up tasks and only in the surroundings designated for it.

Elsner Elektronik is not liable for any changes in norms and standards which may occur after publication of these operating instructions.

2.2. Connection diagram



3. Disposal

After use, the device must be disposed of or recycled in accordance with the legal regulations. Do not dispose of it with the household waste!