

BC980

4K Network box camera, H.265/H.264/MJPEG, DC-Iris, ABF

DESCRIPTION

The BC980 is an 8MP HD box camera with built-in auto back-focus providing razor-sharp 4K images even under difficult lighting conditions. It is compact and, as demonstrated by its ONVIF Profile S, G, T conformance, installation is fast and easy. Currently, a rolling change is in development, and new deliveries will be done using the new camera shape.

FEATURES

4K resolution, 8 MP @ 30 fps

CS mount

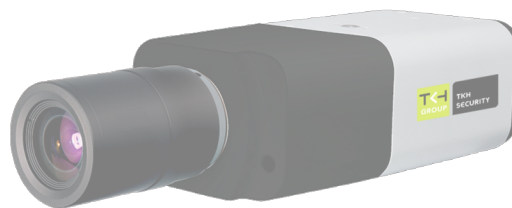
Auto back focus (ABF)

Quad-stream H.265, H.264 and MJPEG video

120 dB High Dynamic Range

24 Vac, 12 Vdc, PoE

ONVIF Profile S, G and T



Description

Multi-stream multi-codec

The camera has quad-stream capability for simultaneous streaming of H.265, H.264 and MJPEG. Multiple combinations of resolution, frame rate, and encoding can be configured to fit all possible live viewing and recording scenarios. The 4K or 8 Mpixel resolution is available at 25/30 fps still offering multiple exposure WDR (or HDR, in short) with the possibility to add a second stream.

Open standards

Multiple options are available to easily integrate the BC980 to a video management system. In support of open standards, the camera is compliant with the ONVIF Profile Q for out of the box installation, profile G from local recording and profile S for streaming and VMS compatibility.

Image enhancement

The BC980 utilizes advanced image processing technology. Crisp and detailed 4K images with an extremely high dynamic range in real time due to multiple exposure HDR within one frame. Back-light and High-light compensation enhances image-visibility in difficult lighting situations. In addition the camera provides for 3D motion compensated noise reduction for the best images.

Power source choices

The BC980 can be powered by 12 Vdc, 24 Vac, or over the network with PoE.

Camera	
Image sensor	1/1.8" CMOS
Effective pixels	3864(H) x 2180(V)
Minimum scene illumination	0.04 Lux color, 0.002 Lux B/W, f/1.6
Shutter speed	1 to 1/100,000 sec
IR function	Auto, Night, Day, Smart
Lens	CS mount
Iris control	Adaptive P-iris and DC-iris

Image control	
Dynamic range	120 dB (HDR)
Exposure control	Auto-iris, P-Iris (Switch automatically)
White balance	Auto, ATW, One push, Manual
Image settings	Sharpness, Brightness, Contrast, Color, EV, Backlight Compensation, Highlight Compensation, WDR
SNR	Better than 54dBw
Noise reduction	2DNR, 3DNR, motion compensated noise reduction
Image rotation	90°, 180°, 270° rotation
Digital zoom	10x

Functions	
Privacy masks	8 colors, 5 masks
Text and picture overlay	Date, time, date & time, subtitle, image
Video motion detection	On / off / by schedule
Video motion detection alarm	Alarm output, record video clip, send alarm message, upload image
Network failure detection	On / off / by schedule
Network failure detection alarm	Alarm output, record video clip, send alarm message, upload image
Tamper detection	On / off / by schedule
Tamper detection alarm	Alarm output, record video clip, send alarm message, upload image
Behavior Analytics*	Abandoned Object, Intrusion Detection, Camera Sabotage Wrong Direction, Loitering Detection, Object Counting Object Removal, Stopped Vehicle
*Offer by request	

Video				
Compression algorithm(s)	H.265, H.264, MJPEG			
Number streams	4x, individually configurable H.265/H.264/MJPEG streams in resolution, frame rate and bandwidth.			
Supported resolutions	3840x2160, 3200x1800, 1920x1080, 1280x1024, 1280x720, 1024x768, 800x600, 720x480, 640x480, 352x240			
Max streaming (H264/H265/MJPEG)				
60fps	1920x1080	1920x1080	352x240	
30fps (HDR)	3840x2160	800x600		
30fps (HDR)	3200x1800	1920x1080	800x600	
30fps (HDR)	1920x1080	1920x1080	1920x1080	1920x1080

Specs



Video

Compression bit rate control	Constant bit rate (CBR), variable bit rate (VBR), Low bit rate (LBR)
Max frame rate MJPEG	1080p (1920x1080) @ 30 fps
Compression bit rate control	Low bit rate (LBR), constant bit rate (CBR), variable bit rate (VBR)
Output bit rate (per stream)	Up to 10240 kbit/s
Number of clients	Up to 20 (RTSP)
Total output data rate (max)	50000 kbit/s

Audio

Two-way audio	Line in, Line out
Compression	G.711 (μ -law, a-law) / G.726 / AAC / PCM
Input level, Output level	Adjustable gain
Connector type	Female phone jacks, 3.5 mm

Alarm inputs/output

Input	2
Output	1
Connector type	Terminal block

Storage

Storage options	Supports up to 512 GB capacity of SD/SDHC/SDXC memory (vFAT/EXT4)
Network storage	NAS

Network

Interface(s)	100/1000 Mb Ethernet
Network protocols	IPv4/v6, TCP, UDP, RTP, RTSP, HTTP, HTTPS, ICMP, FTP, SNMP, SMTP, DHCP, UPnP, PPPoE, IGMP, IEEE 802.1x, QoS
Connector type	RJ-45

Management

Supported browsers	Internet Explorer 9, 10 and 11 (limited support for Edge, Chrome, Firefox, Safari)
Security	HTTPS, IP Filter, IEEE 802.1x, digest authentication
Protocols	UPnP, SNMP, ONVIF Profiles S, G, and Q, Siquira API
Password levels	User and Administrator
User accounts	20

Powering

Power consumption	Max. 13.68 W
Power	24 VAC +/- 10%; 12 VDC +/- 10%; PoE (IEEE 802.3af class 0, Max. 9.11W)
Connector type	1x 3 Pin terminal block

Environmental

Operating temperature	-30°C to 60°C(-22°F to 140°F)
-----------------------	-------------------------------

Specs



Environmental

Relative humidity	10% to 90%, no condensation
-------------------	-----------------------------

Mechanical

Dimensions	150x82x52 mm
------------	--------------

Weight	395 g
--------	-------

Color	grey/black
-------	------------

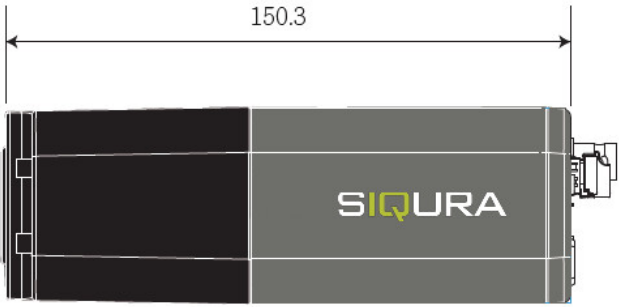
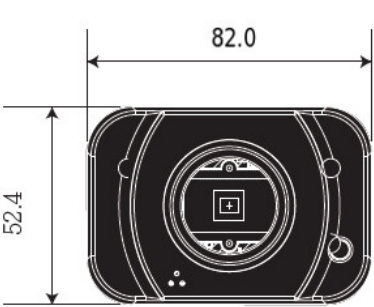
Ingress protection	IP20
--------------------	------

Ordering information

BC980	4K Network box camera, H.265/H.264/MJPEG, DC-Iris & P-iris, ABF
-------	---

VL18D-125x500	Lens, 1/1.8" , 12,5-50mm, F1.6, DC auto iris, IR, 5MP
---------------	---

DIMENSIONS IN MM







RELATED



Siqura Lenses
Megapixel Varifocal Lenses



TKH Security HSG04
Outdoor Wiper housing for a fixed box camera



TKH Security HSG05
Outdoor fixed housing, 90-260VAC
