

SIQURA

SA-FIX SERIES

316L all weather fixed IP camera

DESCRIPTION

The SA-FIX camera housing is a rugged corrosion proof camera housing designed for use in onshore, offshore, marine and heavy industrial environments. The camera housing is constructed from electro-polished 316L stainless steel for maximum corrosion protection and is fitted with an 316L sun-shield and a thermostatically controlled heater element. The housing is not sold separately, it is only available in combination with a Siqura daylight camera module, such as the BC822v2H3-AS or BC980H2, and an interface (INT-RJ/SM/MM).

FEATURES

Corrosion protected 316L stainless-steel

Integrated power supply (24, 115 or 230 Vac)

Low maintenance

Integrated heater

Electro-polished 316L sun-shield included



Description

Corrosion free 316L construction

The SA-FIX housing is suited to be used in salty or sulfur rich environments. 100% of the camera housing is made of corrosion proof 316L steel.

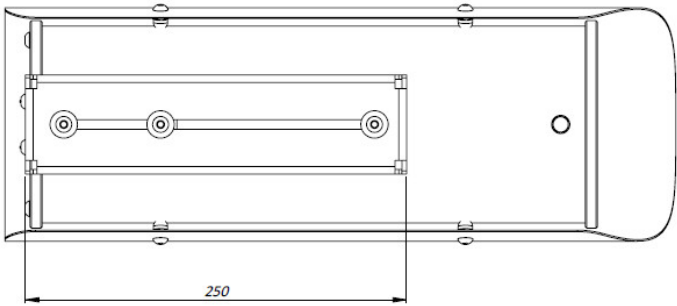
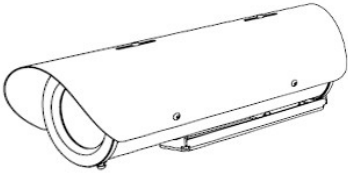
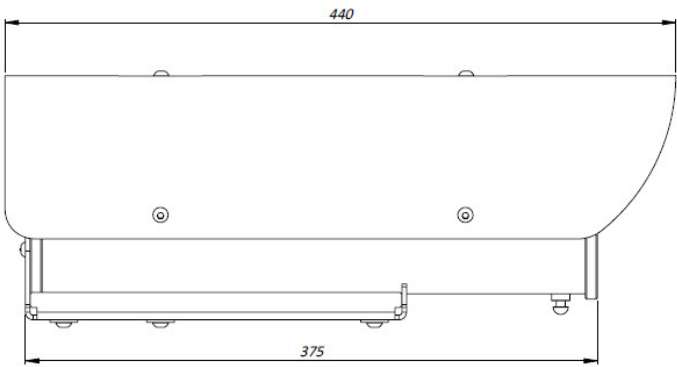
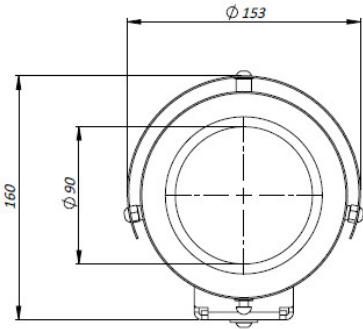
Mechanical	
Ingress protection rating	IP66/ IP67
Impact rating (casing)	IK10
Body material	Electro-polished 316L stainless steel
Sunshield	Standard
Operating temperature	-20 °C to +75 °C (-4 °F to +167 °F)
Cable entry	2x M20
Weight	7 kg

Electrical			
Power rating	SA-FIX24	SA-FIX115	SA-FIX230
	24 Vac +/-10%	115 Vac +/-10%	230 Vac +/-10%
	50/60Hz	50/60Hz	50/60Hz
Internal Heater	Standard		
- Heater control	On: 12°C +/- 4°C; Off: 20°C +/- 3°C		
- Heater power dissipation	10W		

Ordering information	
SA-FIX24	Safe Area Fixed Camera 316L 24VAC
SA-FIX115	Safe Area Fixed Camera 316L 115VAC
SA-FIX230	Safe Area Fixed Camera 316L 230VAC

Maintenance kits	
SA-MK F	Maintenance kit SA Fixed camera: O-Ring, screws, 2 cable glands, desiccant bags

SA-FIX DIMENSIONS IN MM



COMPATIBILITY MATRIX

Housing	Optical camera	Thermal camera			Interface				
	BC822v2H3-SA	TC(R1)-336	TC(R1)-640	INT-RJ	INT-RJ5 INT-RJ10	INT-SM	INT-SM5 INT-SM10	INT-MM	INT-MM5 INT-MM10
SA-FIX24	✓			✓		✓		✓	
SA-FIX24W	✓			✓		✓		✓	
SA-FIX24T	✓	✓	✓	✓		✓		✓	
SA-PTZ24	✓			✓					
SA-PTZ24T		✓	✓	✓					
SA-PTZ24D	✓	✓	✓	✓					

This chart also applies to the SA cameras versions for 115 Vac and 230 Vac.

RELATED



Siqura BC822v2H3-AS

Assembly 33x zoom IP camera, 3MP, AF, Day/night, H.265/H.264



TKH Security BC980H2-AS

8MP IP Box camera with integrated 22x zoom lens



Siqura SA mounting accessories

316L Mounting accessories for the SA-FIX and SA-PTZ series



Siqura INT-RJ / INT-SM / INT-MM

Network Interface and cable tail of the Siqura SA or EX cameras
