

FEATURES

- 2 x 0-10 VDC individual outputs for valve control
- 4 individual outputs (suitable for capacitive loads, maximum 140 µF) capable of controlling up to 4 fan speeds
- 4 analog/digital inputs
- Manual output operation of 0-10 VDC and individual outputs with push button and LED status indicator
- 10 logic functions
- Output timing facilities
- Total data saving on power failure
- Integrated KNX BCU (TP1-256)
- Dimensions 67 x 90 x 79 mm (4.5 DIN units)
- DIN rail mounting according to IEC 60715 TH35, with fixing clamp
- Possibility of connecting different phases in adjacent outputs
- Conformity with the CE, UKCA, RCM directives (marks on the right side)

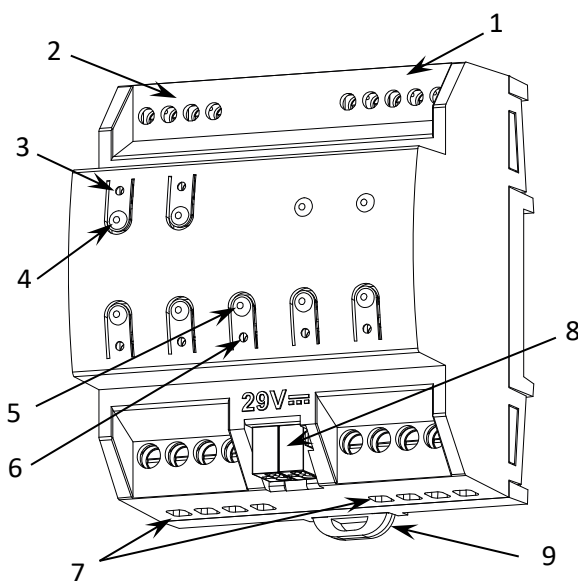


Figure 1: MAXinBOX FC 0-10V VALVE

1. Analog/Digital inputs	2. 0-10 VDC outputs	3. Output status LED	4. Output control button
5. Programming/Test button	6. Programming/Test LED	7. Individual outputs	8. KNX connector
			9. Fixing clamp

Programming/Test button: short press to set programming mode. If this button is held while plugging the device into the KNX bus, it enters the safe mode. If this button is held for more than 3 seconds, the device enters the test mode.

Programming/Test LED: programming mode indicator (red). When the device enters the safe mode, it blinks (red) every half second. The manual mode is indicated by the green color. During the start-up (reset or after KNX bus failure) and if the device is not in safe mode, it starts a blue blinking sequence.

GENERAL SPECIFICATIONS

CONCEPT		DESCRIPTION		
Type of device		Electric operation control device		
KNX supply	Voltage (typical)	29 VDC SELV		
	Voltage range	21-31 VDC		
	Maximum consumption	Voltage	mA	mW
		29 VDC (typical)	11	319
24 VDC ¹	15	360		
Connection type		Typical TP1 bus connector for 0.8 mm Ø rigid cable		
External power supply		Not required		
Operation temperature		0 .. +55 °C		
Storage temperature		-20 .. +55 °C		
Operation humidity		5 .. 95%		
Storage humidity		5 .. 95%		
Complementary characteristics		Class B		
Protection class / Overvoltage category		II / III (4000 V)		
Operation type		Continuous operation		
Device action type		Type 1		
Electrical stress period		Long		
Degree of protection / Pollution degree		IP20 / 2 (clean environment)		
Installation		Independent device to be mounted inside electrical panels with DIN rail (IEC 60715)		
Minimum clearances		Not required		
Response on KNX bus failure		Data saving according to parameterization		
Response on KNX bus restart		Data recovery according to parameterization		
Operation indicator		The programming LED indicates programming mode (red) and test mode (green). Each output LED indicates its status		
Weight		248 g		
PCB CTI index		175 V		
Housing material / Ball pressure test temperature		PC FR V0 halogen free / 75 °C (housing) - 125 °C (connectors)		

¹ Maximum consumption in the worst-case scenario (KNX Fan-In model).

OUTPUTS SPECIFICATIONS AND CONNECTIONS		DESCRIPTION
CONCEPT		
Number of outputs		4
Output type		Potential-free outputs through bistable relays with tungsten pre-contact / Micro-disconnection
Rated current per output		AC 16(6) A @ 250 VAC (4000 VA) DC 7 A @ 30 VDC (210 W)
Maximum load per output	Resistive	4000 W
	Inductive	1500 VA
Maximum inrush current		800 A/200 µs 165 A/20 ms
Connections in adjacent outputs		Possibility of connecting different phases. It is not allowed to connect power supplies of different order, SELV with NO SELV, in the same block
Maximum current per block		40 A
Connection method		Screw terminal block (0.5 Nm max.)
Cable cross-section		1.5-4 mm ² (IEC) / 26-10 AWG (UL)
Outputs per common		1
Maximum response time		10 ms
Mechanical lifetime (min. cycles)		3 000 000
Electrical lifetime (min. cycles)		100000 @ 8 A / 25000 @ 16 A (VAC)

¹ Lifetime values could change depending on the load type.

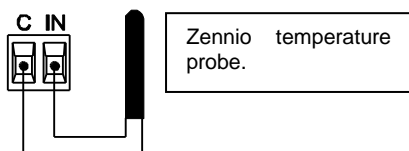
0-10V OUTPUT SPECIFICATIONS AND CONNECTIONS		DESCRIPTION
CONCEPT		
Número de salidas		2
Output type		0-10 VDC
Maximum load per output		1.5 mA
Connection method		Screw terminal block (0.5 Nm max.)
Cable cross-section		0.5-2.5 mm ² (IEC) / 26-12 AWG (UL)
Maximum cable length		30 m
Output per common		1

INPUTS SPECIFICATIONS AND CONNECTIONS		DESCRIPTION
CONCEPT		
Number of inputs		4
Inputs per common		4
Operation voltage		+3.3 VDC in the common
Operation current		1 mA @ 3.3 VDC (per input)
Switching type		Dry voltage contacts between input and common
Connection method		Screw terminal block (0.5 Nm max.)
Cable cross-section		0.5-2.5 mm ² (IEC) / 26-12 AWG (UL)
Maximum cable length		30 m
NTC probe length		1.5 m (extensible up to 30 m)
NTC accuracy (@ 25 °C)		±0.5 °C
Temperature resolution		0.1 °C
Maximum response time		10 ms

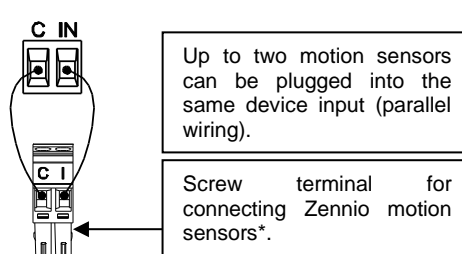
INPUTS CONNECTION

Any combination of the following accessories is allowed in the inputs:

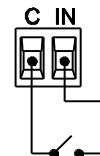
Temperature Probe



Motion Sensor



Switch/Sensor/ Push button



⚠ Commons of different devices must not be connected together.

* In case of using ZN110-DETEC-P sensor, its micro switch number 2 must be in **Type B position**.

SAFETY INSTRUCTIONS AND ADDITIONAL NOTES

- Installation should only be performed by qualified professionals according to the laws and regulations applicable in each country.
- Do not connect the mains voltage nor any other external voltage to any point of the KNX bus; it would represent a risk for the entire KNX system. The facility must have enough insulation between the mains (or auxiliary) voltage and the KNX bus or the wires of other accessories, in case of being installed.
- Once the device is installed (in the panel or box), it must not be accessible from outside.
- Keep the device away from water (condensation over the device included) and do not cover it with clothes, paper or any other material while in use.
- The WEEE logo means that this device contains electronic parts and it must be properly disposed of by following the instructions at <https://www.zennio.com/en/legal/weee-regulation>.

WIRING DIAGRAMS

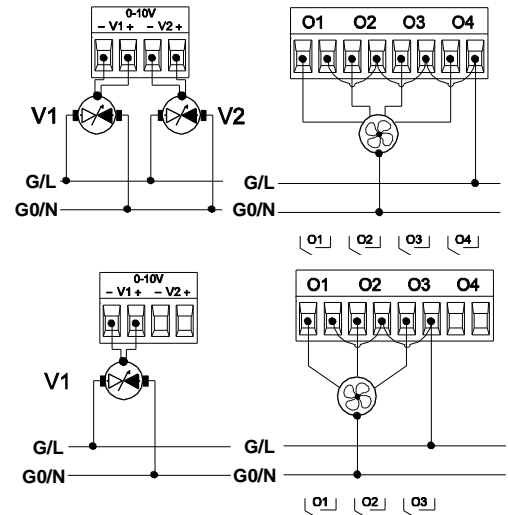


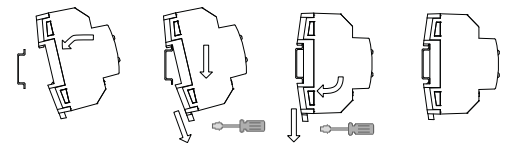
Figure 2: wiring example for 4-pipe fan coil with 4-speed fan (up) and for 2-pipe fan coil with 3-speed fan (down).

0-10 V outputs according to the number of fan coil pipes:

Fan Coil	0-10 V output	Valve function
4 pipes	V1	Cooling valve
	V2	Heating valve
2 pipes	V1	Cooling and/or heating valve

⚠ In order to ensure the expected status of the relays, please check that the device is connected to the KNX bus before energizing the power circuit.

Attaching MAXinBOX FC 0-10V VALVE to DIN rail:



Removing MAXinBOX FC 0-10V VALVE from DIN rail:

