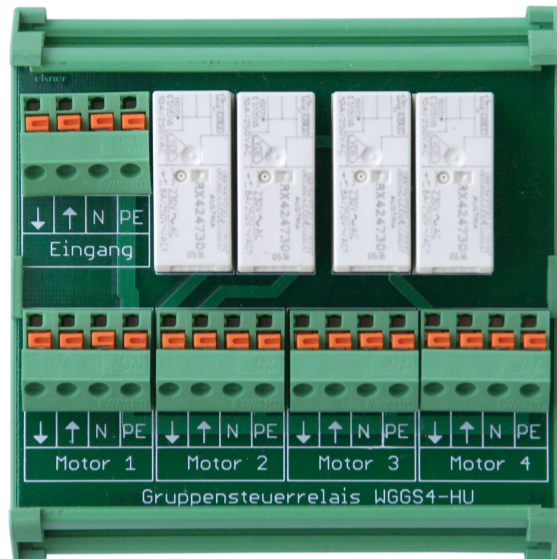


WGGGS-4-H

Group Control Relay

Technical specifications and installation instructions

Item number 2034



1. Description

The **Group Control Relay WGGGS-4-H** can operate up to four drives as a group. Connections are screwless, using cage clamp terminals.

1.0.1. Scope of delivery

- Group control relay for installation on DIN rail.

1.1. Technical Data

Installation	Series installation on DIN rail according to DIN 43880
Degree of protection	IP 20 (after installation in distributor)
Dimensions	approx. 88 × 90 × 50 (W × H × D, mm), 5 width units
Weight	approx. 140 g
Ambient temperature	Operating -40...+50°C, Storage -55...+90°C
Ambient air humidity	max. 95% rH, avoid condensation
Operating voltage	230 V AC / 50 Hz
Control input	230 V AC, 50 Hz (Up/Down/N/PE)
Outputs	4 × drives, 230 V AC (Up/Down/N/PE), max. 500 W per output. Observe the maximum output of the power source!

The product conforms with the provisions of EU directives.

2. Installation and commissioning



Installation, testing, operational start-up and troubleshooting should only be performed by an authorised electrician.



DANGER!

Risk to life from live voltage (mains voltage)!

There are unprotected live components inside the device.

- Inspect the device for damage before installation. Only put undamaged devices into operation.
- Comply with the locally applicable directives, regulations and provisions for electrical installation.
- Immediately take the device or system out of service and secure it against unintentional switch-on if risk-free operation is no longer guaranteed.

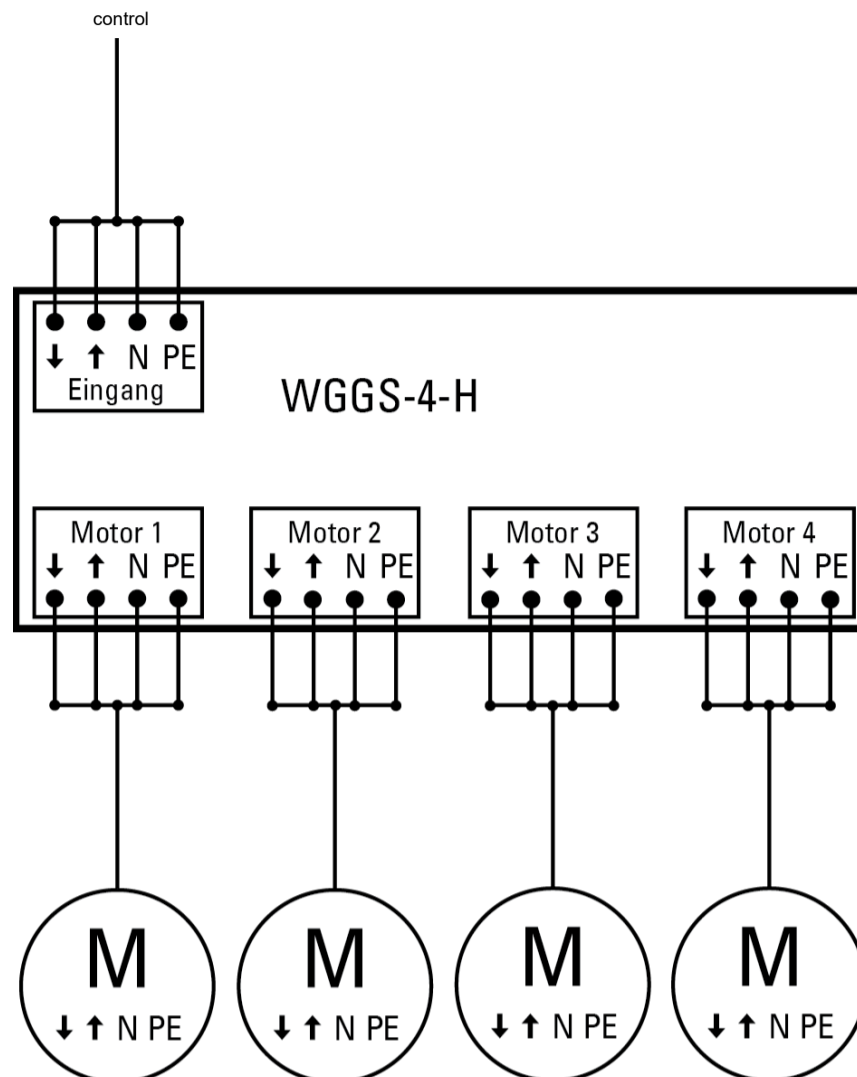
Use the device exclusively for building automation and observe the operating instructions. Improper use, modifications to the device or failure to observe the operating instructions will invalidate any warranty or guarantee claims.

Operate the device only as a fixed-site installation, i.e. only in assembled condition and after conclusion of all installation and operational start-up tasks, and only in the surroundings designated for it.

Elsner Elektronik is not liable for any changes in norms and standards which may occur after publication of these operating instructions.

2.1. Connection diagram

The device is intended for series installation on DIN rail and occupies 5 width units.



3. Disposal

After use, the device must be disposed of in accordance with the legal regulations. Do not dispose of it with the household waste!