

XCUCM01

Ceilingmount for the XCU Fusion and Compact

DESCRIPTION

Ceiling mounts for XCU Fusion and XCU Compact. The XCUCM01 is a heavy duty version, suited for harsh mechanical environments, withstanding heavy vibrations and shocks.

FEATURES

Complete bracket for ceiling mount

316L stainless steel

RAL9016

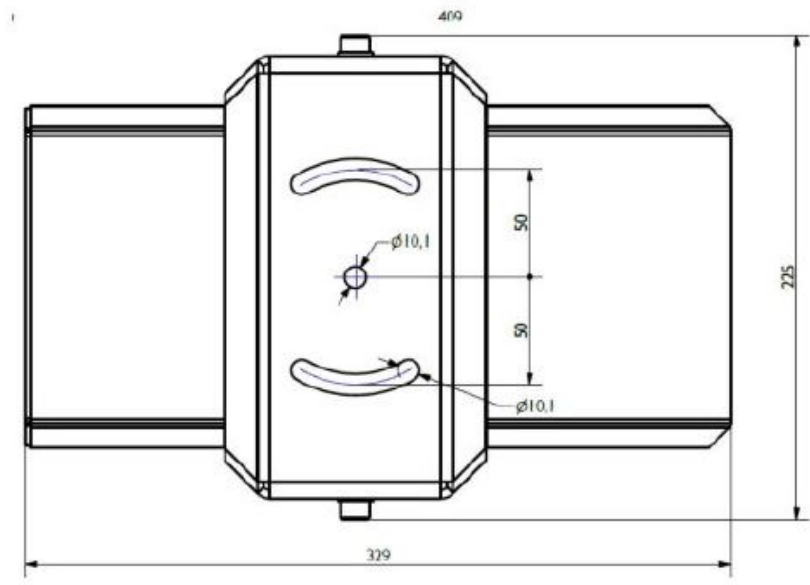
XCUCM01: 240 x 225 x 120, 3.5 kg

XCUCM02: 222 x 205 x 115, 1.9 kg

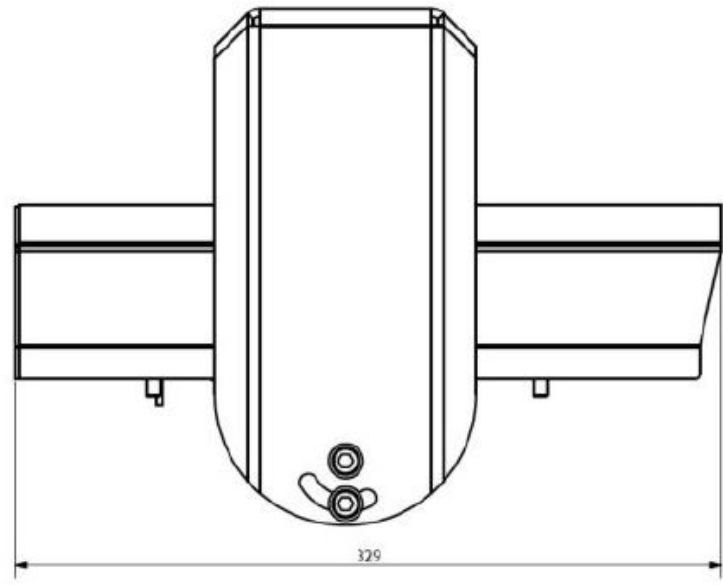
Corrosion Class C5



DIMENSIONS XCUCM01 IN MM



XCU Fusion mounted on XCUCM01 heavy duty, top view



XCU Fusion mounted on XCUCM01 heavy duty, side view

XCUCM01



RELATED



Siqura XCU Fusion
316L stainless-steel intelligent dual imager camera



Siqura XCU Fusion 2SM
316L stainless-steel intelligent dual imager camera with singlemode fiber



Siqura XCU Compact
XCU Compact 316L rugged 2MP HD camera motorized zoom
