

# EX-PTZ SERIES

## EX PTZ Camera 316L

### DESCRIPTION

The EX-PTZ camera housing is a rugged corrosion proof PTZ camera station designed for use in hazardous areas in onshore, offshore, marine and heavy industrial environments. The housing is not sold separately, it is only available in combination with a Siqura daylight camera module, such as the 33x zoom BC822v2H3-AS, 22x zoom 4K BC980H2-AS, or 4x zoom BC840v2-M04-AS, and an interface/cable tail (INT-RJ/SM/MM)

### FEATURES

Corrosion protected 316L stainless-steel

ATEX, IECEx, UKEX and INMETRO certified

IP66 / IP67

Integrated power supply (24, 115 or 230 Vac)

Integrated heater and wiper

Electro-polished 316L sun-shield

Optional direct to fiber

Low maintenance



## Description

### Corrosion free 316L construction

The PTZ camera station is made of corrosion proof 316L stainless steel body suited to operate in salty or sulfur rich environments.

### Day-light camera

The EX-PTZ is to be fitted with Siquira's 30x zoom ip camera, the bc822v2H3-AS or the 22x zoom 4K camera, BC980H2-AS. The camera is standard equipped with an integrated wiper and prepared for a washer installation. A 10 liter pressurized washer tank can be obtained separately.

### ATEX, IECEx, UKEX and INMETRO certified

The EX-PTZ is fully certified for hazardous areas zone 1 and 2 for gas and zone 21 and 22 for dust for Europe (ATEX), world-wide (IECEx), United kingdom (UKEX), and for Brazil (INMETRO). The certification includes the optical camera modules (BC822v2H3-AS or BC980H2 or BC840v2-M04-AS).

### Integrated heater

The housing comes with a built-in thermal controlled heater. It regulates the humidity inside the camera and prevents ice or condensation forming on the optical window.

Mechanical	
Certification	ATEX; IECEx, INMETRO, UKEX
Rating	Ex db op pr IIC T6 Gb -40°C Tamb +60°C Ex tb III C T85°C Db -40°C Tamb +60°C Ex db op pr IIB T5 Gb -40°C Tamb +75°C Ex tb IIIC T100°C Db -40°C Tamb +75°C
Ingress protection rating	IP66 / IP67
Impact rating (casing)	IK10
Body material	Electro-polished 316L stainless steel
Optical Window	High-Grade Tempered Optical Glass
- Size	diameter 75 mm; 10 mm thick
Sunshield	Standard
Rotation	360° Continuous rotation
Tilt angle	+90° to -90°
Variable speed	up to 36°/sec pan and 18°/sec tilt (peak)
Drive mechanism	Direct drive
Backlash	0.1°
Preset accuracy	0.04°
Operating temperature (Tamb)	-20 °C to +75 °C (-4 °F to +167 °F)
Relative humidity	5% to 100%
Cable entry	1x M25x1.5
Weight	33 kg

Electrical			
Power rating	EX-PTZ24	EX-PTZ115	EX-PTZ230
	24 Vac +/-10%	115 Vac +/-10%	230 Vac +/-10%
	50/60Hz	50/60Hz	50/60Hz
Max power consumption	95W	95W	95W
Internal Heater	Standard		
- Heater control	On:12°C +/- 4°C; Off: 20°C +/- 3°C		
Integrated wiper	Standard		

Ordering information	
EX-PTZ24	EX PTZ Camera 316L 24VAC
EX-PTZ115	EX PTZ Camera 316L 115VAC
EX-PTZ230	EX PTZ Camera 316L 230VAC

Maintenance kits	
EX-MK PTZ	Maintenance kit EX PTZ camera: O-Ring, screws, desiccant bags
EX/SA-Wiper	Replacement for Stainless steel wiper (complete assembly)

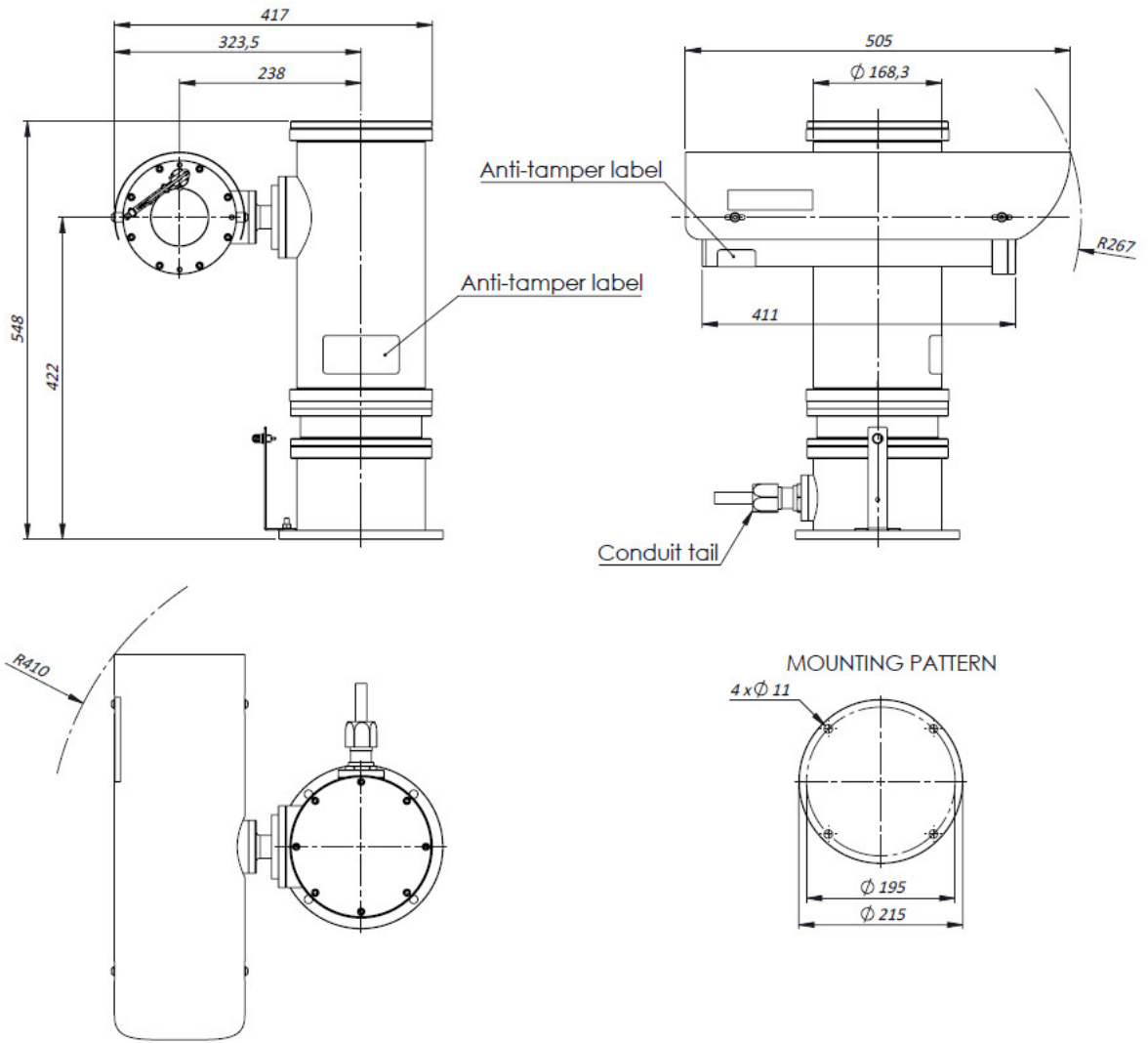
Housing	Optical camera			Thermal camera		Interface					
	BC822v2H3-AS	BC980H2-AS	BC840v2-M04-AS	TC(R1) <sup>2</sup> -336	TC(R1) <sup>2</sup> -640	INT-RJ	INT-RJ5 INT-RJ10	INT-SM	INT-SM5 INT-SM10	INT-MM	INT-MM5 INT-MM10
EX-FIX24 <sup>1</sup>	✓	✓	✓			✓	✓	✓	✓	✓	✓
EX-FIX24W	✓	✓	✓			✓	✓	✓	✓	✓	✓
EX-FIX24T				✓	✓	✓	✓	✓	✓	✓	✓
EX-PTZ24	✓	✓	✓			✓	✓	✓	✓	✓	✓
EX-PTZ24T				✓	✓	✓	✓	✓	✓	✓	✓
EX-PTZ24D	✓	✓	✓	✓	✓	✓	✓	✓ <sup>3</sup>	✓ <sup>3</sup>	✓ <sup>3</sup>	✓ <sup>3</sup>
EX-PTZ24D-IR	✓	✓	✓			✓	✓	✓	✓	✓	✓

<sup>1</sup>: This table also applies to the EX cameras versions for 115 Vac and 230 Vac.

<sup>2</sup>: R1 version is needed for hot-spot detection.

<sup>3</sup>: Special arrangements needed. Please contact TKH Security.

EX PTZ DIMENSIONS IN MM



## RELATED

---



### **Siqua BC822v2H3-AS**

Assembly 33x zoom IP camera, 3MP, AF, Day/night, H.265/H.264

---



### **TKH Security BC980H2-AS**

8MP IP Box camera with integrated 22x zoom lens

---



### **Siqua INT-RJ / INT-SM / INT-MM**

Network Interface and cable tail of the Siqua SA or EX cameras

---



### **Siqua EX-JB01**

316L Ex e termination box for EX cameras

---



### **Siqua EX WP10**

10 litres pressurized water tank in 316L cabinet

---



### **Siqua EX mounting accessories**

316L Mounting accessories for the EX-FIX and EX-PTZ series

---