

SIQURA

# XCUSS01

## XCU Fusion Sunshield

### DESCRIPTION

Corrosion free sun-shield for XCU Fusion.

### FEATURES

---

Sun-shield for XCU Fusion

---

Powder coated 316L stainless steel

---

RAL9016

---

Corrosion Class C5

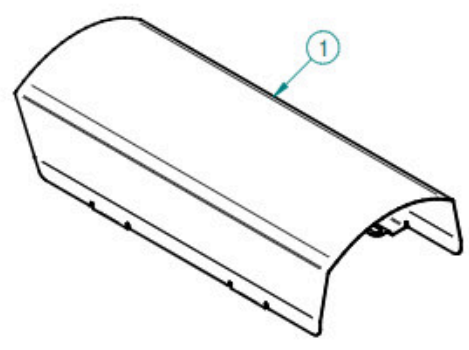
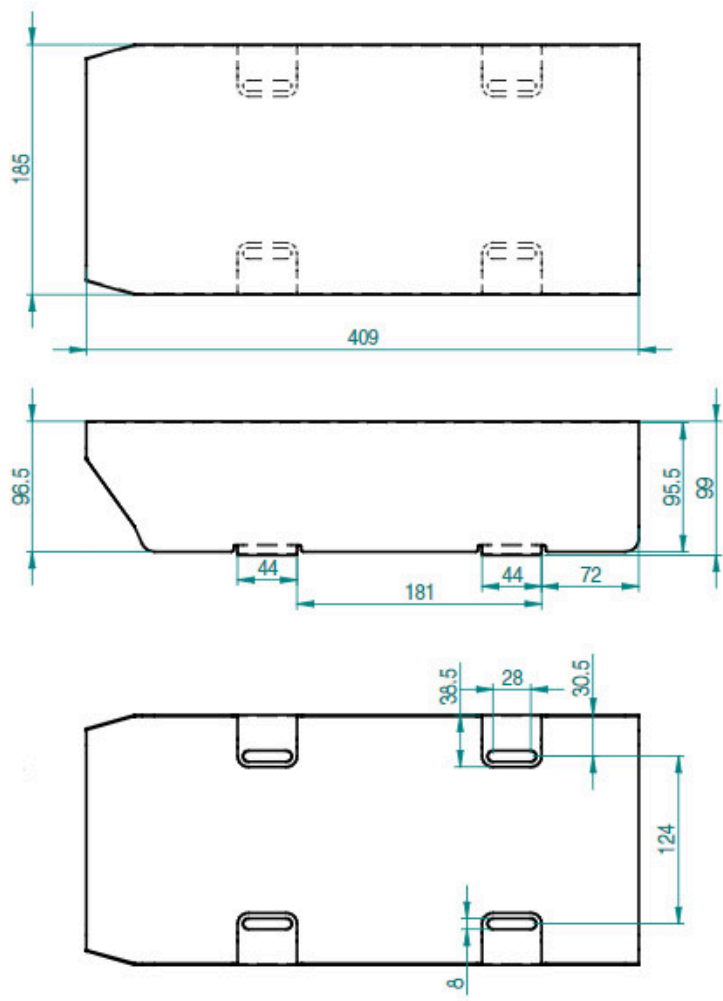
---

Max wind velocity 240 km/h (150 mph)

---



DIMENSIONS IN MM



## RELATED

---



**Siqura XCU Fusion**  
316L stainless-steel intelligent dual imager camera

---



**Siqura XCU Fusion 2SM**  
316L stainless-steel intelligent dual imager camera with singlemode fiber

---