

B100PROX-MF

NETWORKED BIOMETRIC READER WITH
MIFARE CARD READER

B100PROX-MF is a Wiegand biometric and RFID reader for access control applications.

It offers storage up to 100 fingerprints and programmable Wiegand Output (8 to 128 bits). It can read MIFARE Classic, Ultralight and Desfire compatible cards. Configuration of the readers and fingerprint enrollment is done through PC Software.

Connection between the biometric readers is RS-485 and it is used for fingerprint transfer and configuration.

Management of the reader is integrated in our access control software PROS CS.

For integration with other systems we provide:

- Biomanager CS, client-server based software package for solutions without additional development
- CNV1000, TCP/RS-485 communication converter for connection between software and readers



bx Black Edition

Product available in Black ABS

FEATURES

- Surface Mount fingerprint reader with integrated Mifare reader (13.56 MHz)
- Compatible with most Wiegand controller
- SteelCoat protective coating provides added protection of fingerprint sensor for rugged environments
- Authentication: Finger, Finger or card, Finger and Card, Finger on Card
- Storage capacity: 100 fingerprints; unlimited in Finger on Card mode
- RFID reading type: Mifare Classic 1K & 4K, Ultralight, Desfire; Finger on Card (Classic and Desfire)
- Matching time: < 2 s
- Read range: 1.5 - 5.5 cm
- Large rectangular LED allows a fast reader status reading.
- Adjustable Wiegand protocol (8 to 128-bit) is utilized in the biometric reader which makes it compatible with controllers with Wiegand interface
- Wiegand Protocol adjustment done through PC
- Programmable Backlight ON/OFF
- Separate BioManager CS Software available free when used with third party controllers
- Fingerprints stored in the reader and backup copy kept in the software
- With "Finger on card" mode, reader do not keep fingers database
- Enrolment can be done from Desktop Reader (B100PROX-USB) or reader itself
- Compatibility with XPR Control Panels: EWS
- Power Supply: 12V DC
- Consumption: 200 mA max.
- IP rating: IP54 (internal use only)
- Operating Temperature: 0°C to +50°C

LEDS

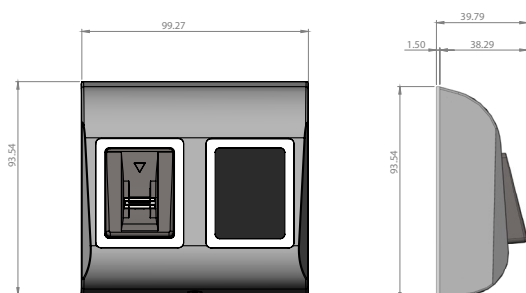


FOBS & CARDS



Ref.	PBX-1E-MS50	PBX-2-MS50	PBX-2C-MS50
Features	ABS 13.56MHz tags (1K)	ISO Card 0.75mm - 13.56MHz (1K)	NISO Card 2mm - 13.56MHz (1K)
Ref.		PBX-2-MS70	
Features		ISO Card 0.75mm - 13.56MHz (4K)	

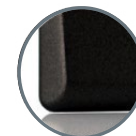
DIMENSIONS



FOBS & CARDS

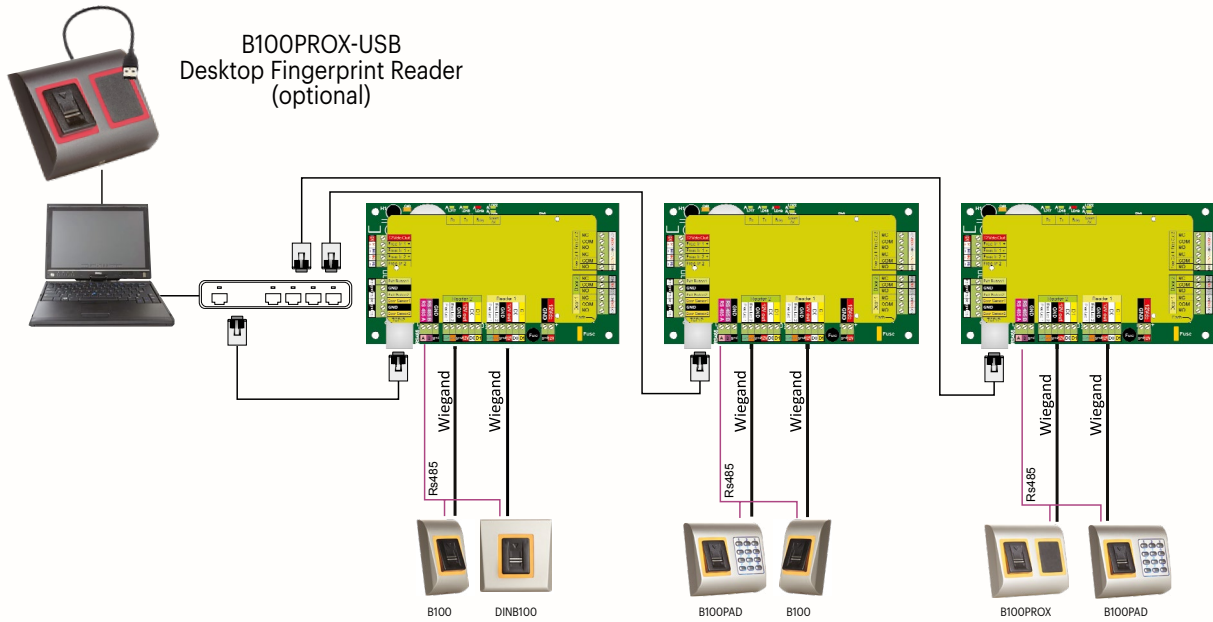


B100PROXS-MF
Silver - ABS



B100PROXBK-MF
Black - ABS

EWSI CONTROLLER - ARCHITECTURE

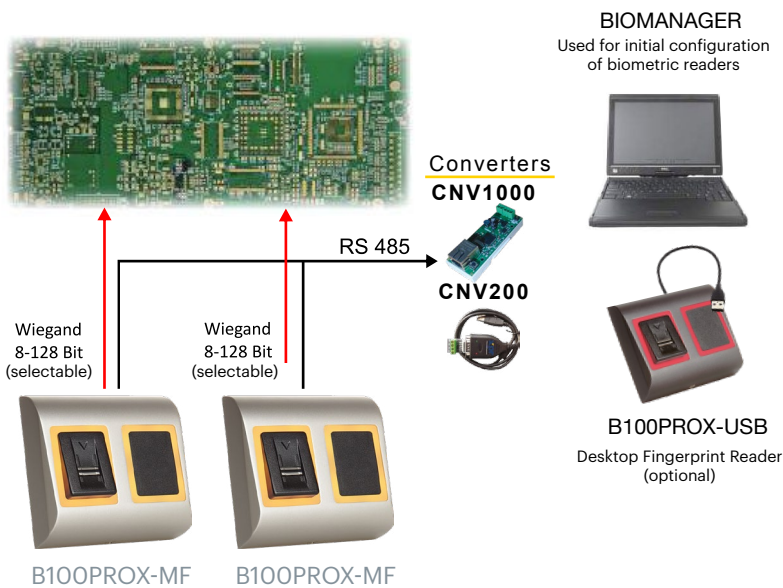


PROS CS SOFTWARE

Client Server Access Control Management Software for the EWSI Network controller system. This software enables multiple clients to connect to the system locally or remotely.



THIRD PARTY CONTROLLER - ARCHITECTURE



► Enrolment can be done from any biometric reader in the network or from Desktop USB Enrollment Unit.

► Finger templates can be sent to all readers in the network. Different Users can be sent to different Fingerprint Readers.

BIOMANAGER CS SOFTWARE

► Windows based PC Software.

► Free Fingerprint Management Software for XPR Biometric Readers.



All product specifications are subject to change without notice.