

UP-PM

Double bracket pole mount adapter for UP wall mount

DESCRIPTION

The UP-PM double bracket pole mount adapter is specially designed to mount the UP-series upright PTZ to the side of a pole. In combination with the UP-WM wall-mount bracket the UP-series cameras can pan 360° without obstruction. Its slim design gives the camera proper stability and a neat installation, hiding the connection cords.

FEATURES

Pole mount bracket for UP-WM

powdercoated stainless steel

Dual bracket design for optimal grip



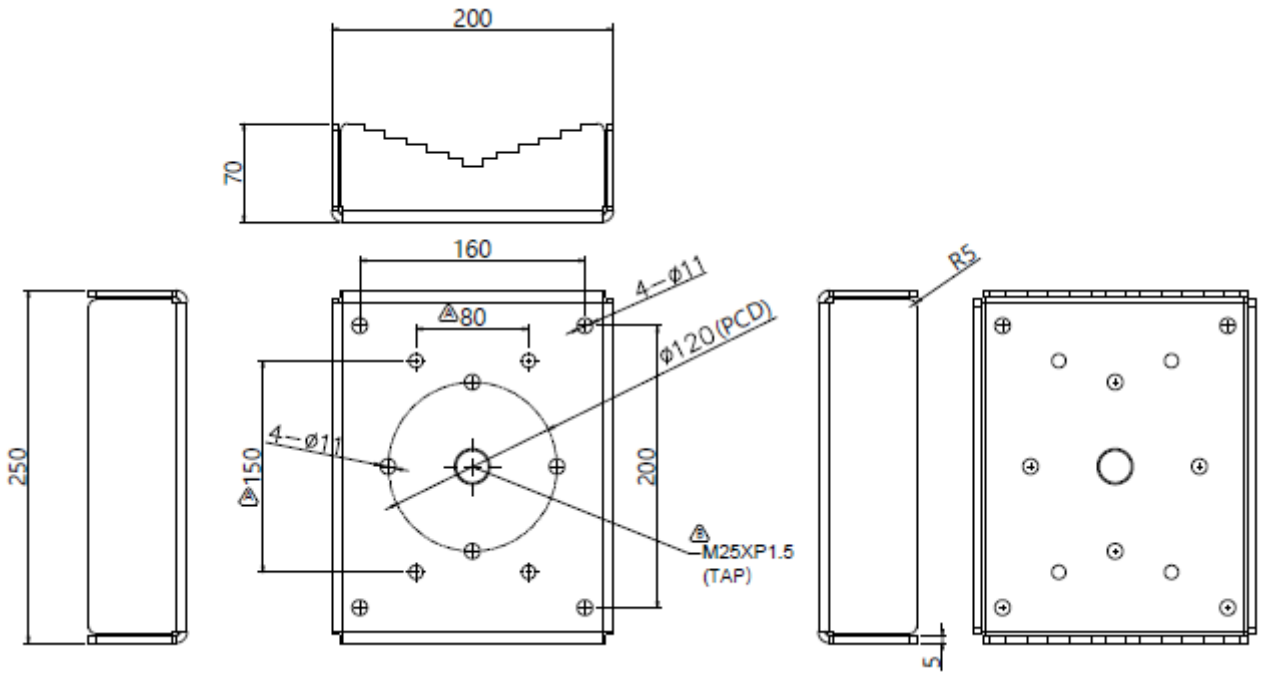
UP-PM

Material	304 stainless steel
Finish	powder coated
Pole diameter	80mm up to 130mm
Max. load	50kg
Weight	8 kg (Approx.)

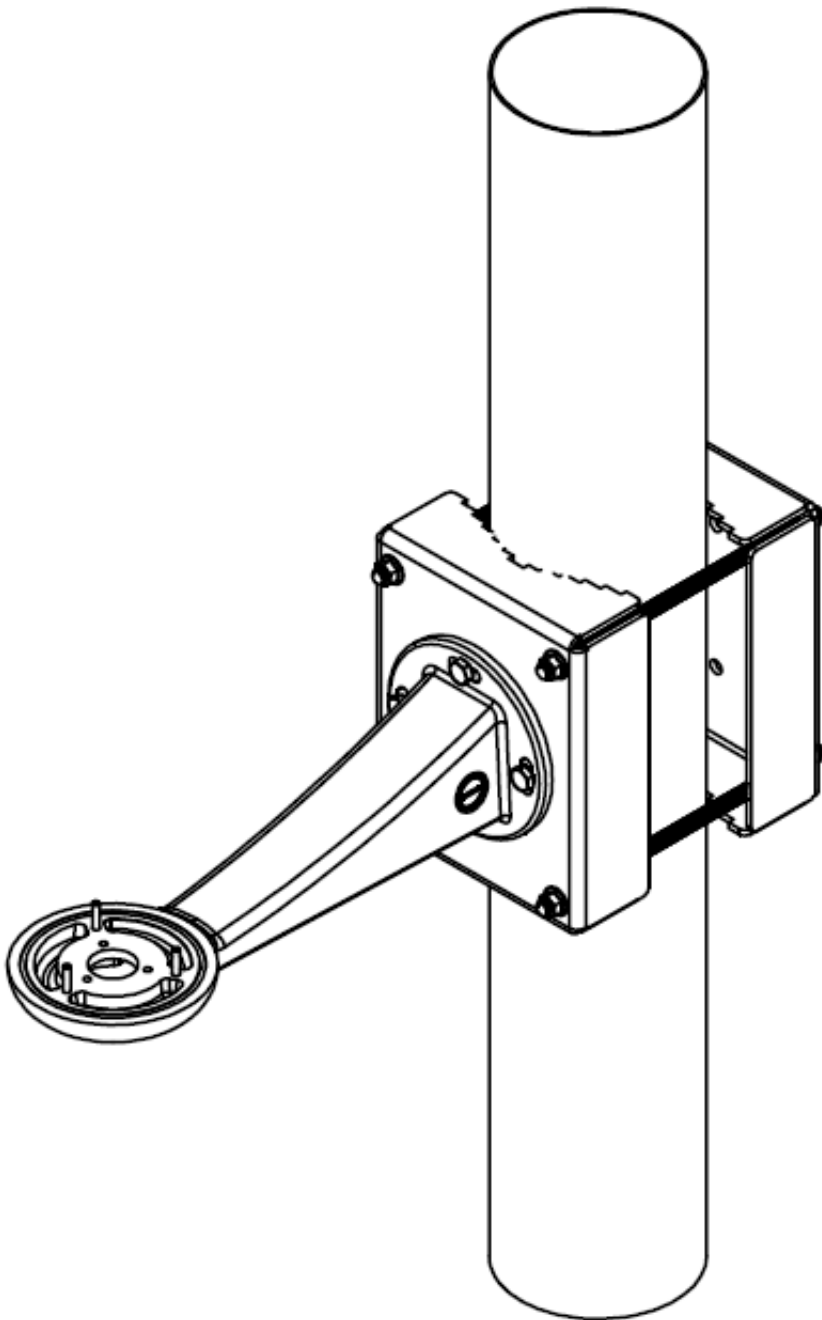
Ordering info:

UP-PM01	Double bracket pole mount adapter for UP-wall mount
UP-WM	Wall mount bracket for UPxx

DIMENSIONS IN MM



UP-WM MOUNTED TO A POLE WITH THE UP-PM ADAPTER.



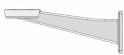
RELATED



Siqura UP33
Upright PTZ 33x zoom



Siqura UP36
Upright PTZ 36x zoom



Siqura UP-WM
Wall mount bracket for UPxx
