

BIOPROX-MF

SURFACE MOUNT BIOMETRIC AND MIFARE
RFID READER WITH WIEGAND OUTPUT



BIOPROX-MF is a Wiegand biometric and RFID reader for access control applications with programmable Wiegand output. It offers storage of up to 9500 fingerprints, it reads Mifare Classic 1K & 4K, Ultralight, Desfire cards/tags and has a programmable Wiegand Output (8 to 128 bits).

Management of the reader is integrated in our access control software PROS CS.

For integration with other systems we provide:

- Biomanager CS, client-server based software package for solutions without additional development
- CNV1000, TCP/RS-485 communication converter for connection between software and readers

FEATURES

- Surface Mount fingerprint reader with integrated Mifare reader (13.56 MHz)
- Compatible with most Wiegand controller
- SteelCoat protective coating provides added protection of fingerprint sensor for rugged environments
- Authentication: Finger, Finger or card, Finger and Card, Finger on Card
- Storage capacity: up to 9500 fingerprints; unlimited in Finger on Card mode
- RFID reading type: Mifare Classic 1K & 4K, Ultralight, Desfire; Finger on Card (Classic and Desfire)
- 1:1000 identification: 1 s
- Large rectangular LED allows a fast reader status reading
- Configuration and template management by software
- Fingerprint enrolment by desktop reader BIOE or reader itself
- Adjustable Wiegand protocol (1 to 128-bit) is utilized in the biometric reader which makes it compatible with controllers with Wiegand interface
- Wiegand Protocol adjustment done through PC
- Programmable Backlight ON/OFF
- Separate BioManager CS Software available free when used with third party controllers
- Fingerprints stored in the reader and backup copy kept in the software
- Fingerprint enrolment: On the reader or from the USB desktop reader (BIOE or BIOPROX-USB)
- Compatibility with XPR Control Panels: EWS
- Power Supply: 9-14V DC
- Consumption: 200 mA max.
- IP rating: IP65
- Operating Temperature: -15°C to +50°C

ACCESSORIES



MCD-MINI

Protection cover in A304 brushed steel for double Mini range reader.

Compulsory protection for external use.

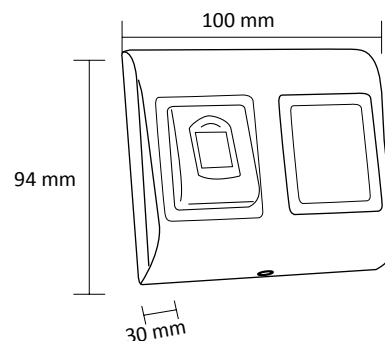


Access Denied

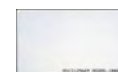
Idle Mode

Access Granted

DIMENSIONS



FOBS & CARDS



Ref.	PBX-1E-MU	PBX-2-MU	PBX-2C-MU
Features	ABS 13.56MHz tags	ISO Card 0.75mm - 13.56MHz	NISO Card 2mm - 13.56MHz
Ref.	PBX-1E-MS50	PBX-2-MS50	PBX-2C-MS50
Features	ABS 13.56MHz tags (1K)	ISO Card 0.75mm - 13.56MHz (1K)	NISO Card 2mm - 13.56MHz (1K)
Ref.		PBX-2-MS70	
Features		ISO Card 0.75mm - 13.56MHz(4K)	

