

SA-FIXAC SERIES

Air-cooled Fixed Camera 316L with vortex cooler, PoE

DESCRIPTION

The SA-FIXAC air-cooled camera housing is a rugged corrosion proof housing designed for use in extreme hot environments. The camera housing is constructed from electro-polished 316L stainless steel for maximum corrosion protection. The camera housing can be fitted with a Siqura IP-camera such as the BC822v2H3-AS or BC980H2. The compressed air for the SA-FIXAC must be clean and dry, the SA-ABFL air filter is specially designed for the SA-FIXAC.

FEATURES

Corrosion protected 316L stainless-steel

Active air-cooling system

Operating temperature up to 100°C

Low maintenance



Description

Corrosion free 316L construction

The SA-FIXAC housing is suited to be used in salty or sulfur rich environments. 100% of the camera housing is made of corrosion proof 316L steel.

Mechanical

Ingress protection rating	IP66/ IP67
Impact rating (casing)	IK10
Body material	Electro-polished 316L stainless steel
Sunshield	No
Operating temperature	5 °C to +100 °C (41 °F to +212 °F)
Cable entry	2x M20
Weight	6 kg

Electrical

Power rating	Power for the internal camera only.
--------------	-------------------------------------

Cooler

Type of cooler	Vortex tube
Max temp difference	70°C
Max air pressure	10.3 Bar (150 PSI)

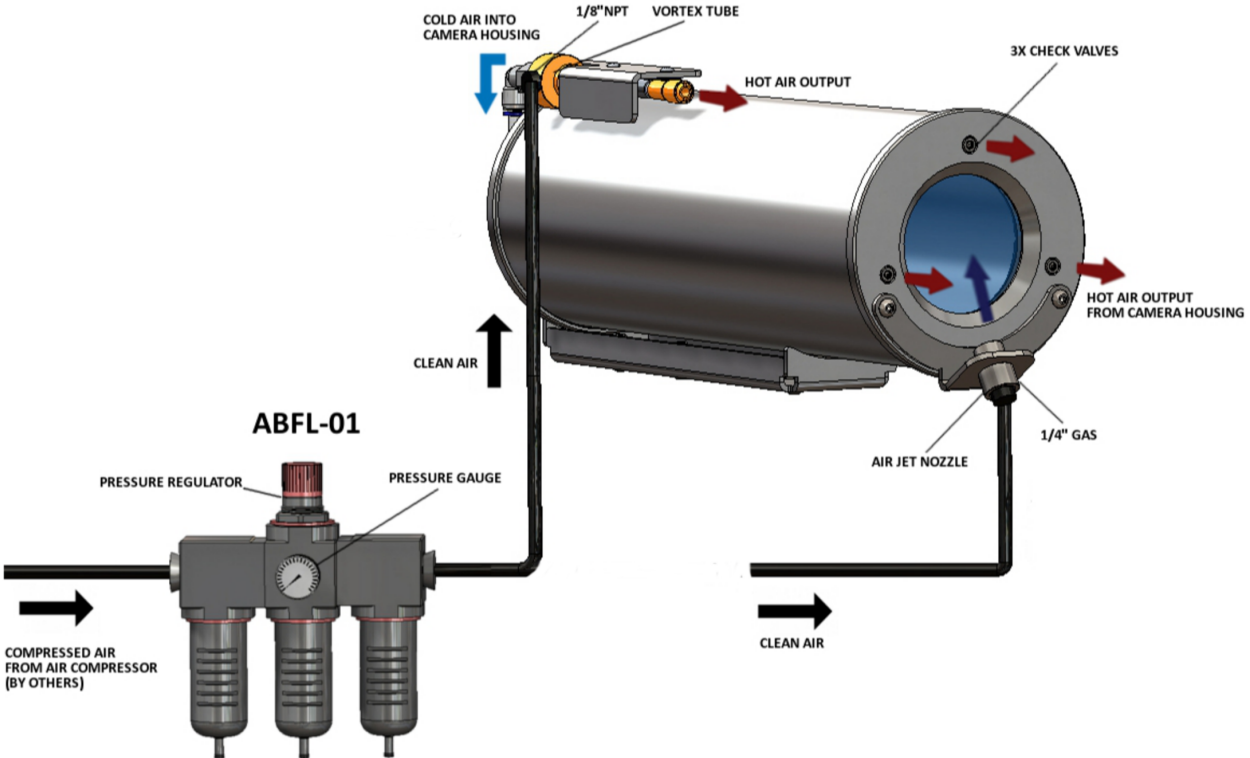
SA-ABFL

Dimensions	250X280x100 mm
Weight	0.9 kg
Max input pressure	6 bar
Gauge pressure range	from 0 to 6 bar
Filters	0.1 micron
Input connector	1/2 GAS
Output connector	1/2 GAS
Temperature range	from +5° to +50° C

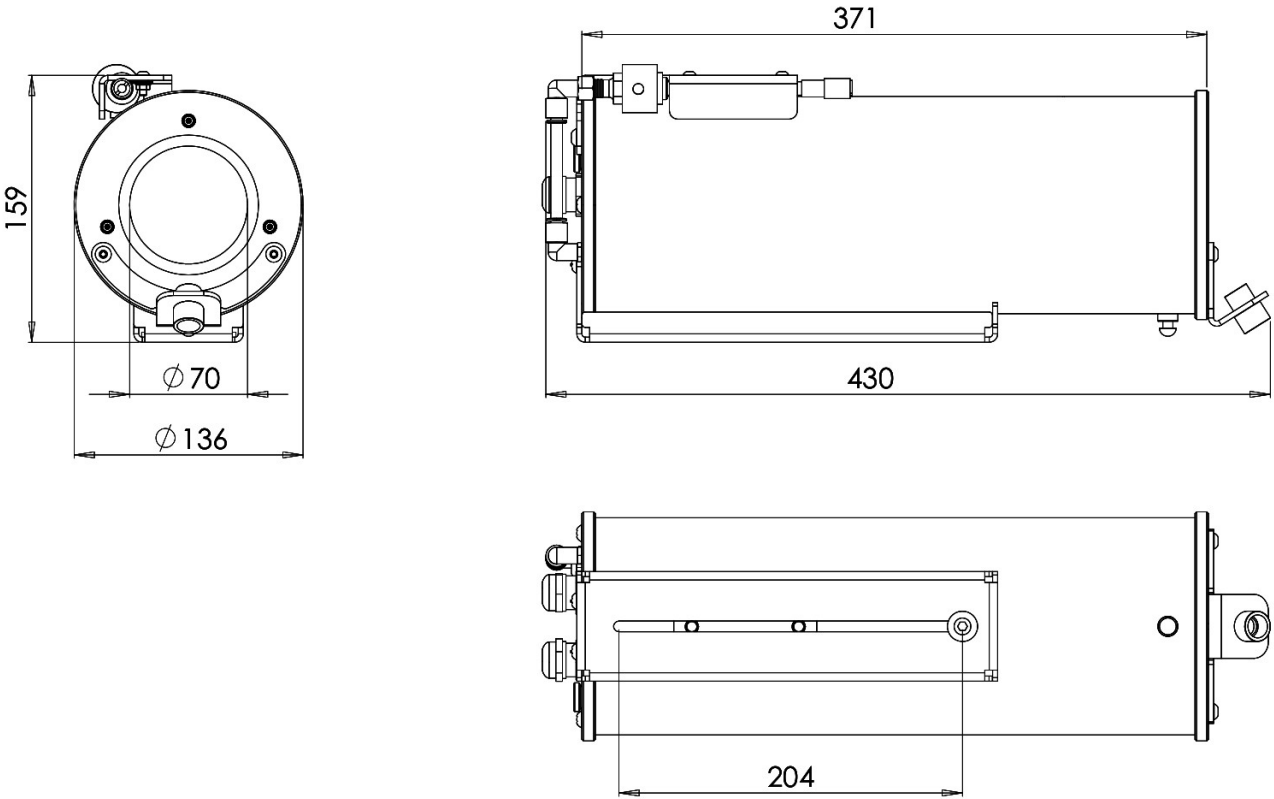
Ordering information

SA-FIXAC	Air-cooled Fixed Camera 316L with vortex cooler, PoE
SA-ABFL	Air filter

CONNECTION DIAGRAM

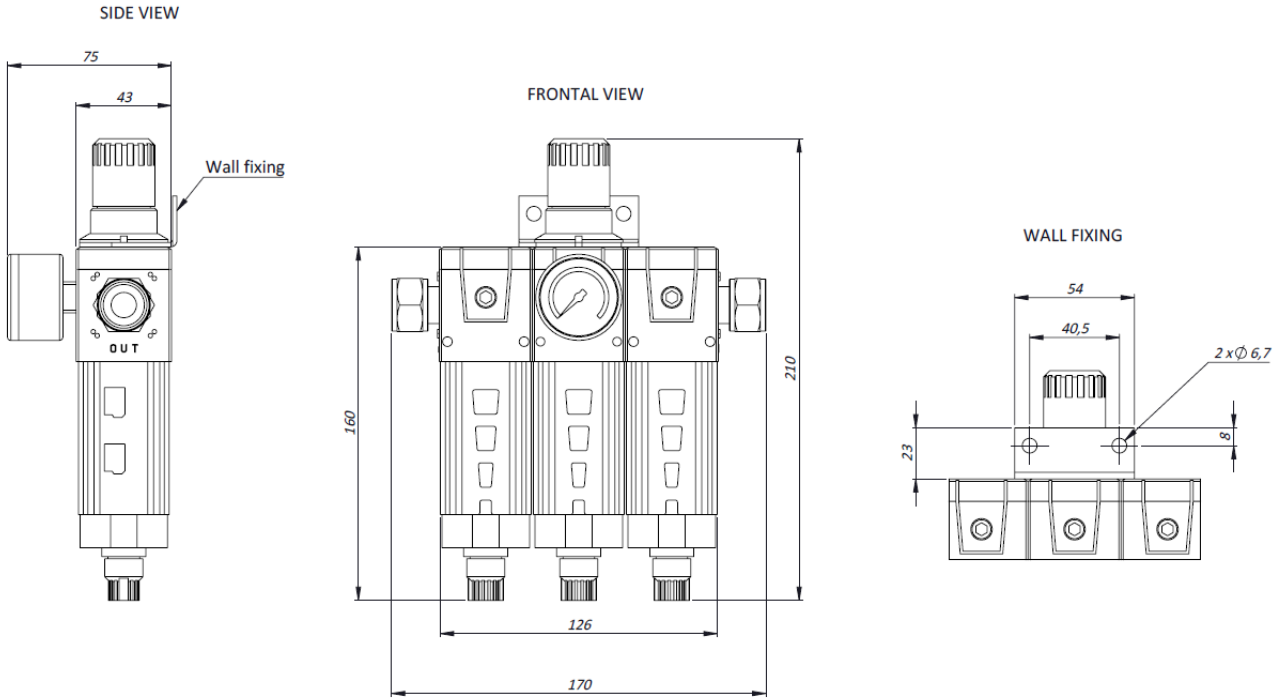


DIMENSIONS IN MM





SA-ABFL DIMENSIONS IN MM



RELATED



Siqura BC822v2H3-AS

Assembly 33x zoom IP camera, 3MP, AF, Day/night, H.265/H.264



TKH Security BC980H2-AS

8MP IP Box camera with integrated 22x zoom lens



Siqura SA mounting accessories

316L Mounting accessories for the SA-FIX and SA-PTZ series
