

SIQURA

UP22-4K

Upright PTZ, 4K 22x zoom, 24 Vac

DESCRIPTION

The Upright PTZ (UP22-4K) is a high-precision, full-featured Ultra HD (4K, 8Mpixel) network PTZ camera providing high-quality, ultra sharp images. The integrated 22x optical zoom in combination with the UHD resolution, and its gyro-based embedded image stabilization makes the camera ideal for traffic applications.

FEATURES

- 1/1.8" Progressive CMOS
- 22x Optical and 10x digital zoom,
- 8 Mpixel @ 30 fps resolution
- Quad H.265/H.264/MJPEG streaming
- 120 dB WDR (HDR)
- Day/Night with IR-cut filter
- Variable pan and tilt speed, proportional zoom
- Continuous rotation, tilt from -90° to +40°
- Preset accuracy of 0.1°
- Corrosion Proof, IP66
- ONVIF Profile S, G and T



Description

Construction

The robust construction using cast aluminum and durable plastics ensures accurate positioning and stable video, close by and at large distances. The UP22-4K is made to operate under extreme temperatures for mission critical applications. It is tested and approved according to the environmental requirements of NEMA TS-2.

22x zoom and 4K UHD

The UP22-4K can stream an ultra high-definition video stream with razor sharp images. In combination with the optical 22x zoom this results in images with a quality comparable to a conventional 1080p camera with 44x optical zoom. The auto-focus is fast and precise over the whole zoom range.

Multi-stream high definition

The camera has quad-stream capability for simultaneous streaming of H.265, H.264 and/or MJPEG. Multiple combinations of resolution and frame rate can be configured to fit different scenarios. 8 Mpixel (4K) resolution is available at 30 fps, two full-HD 1080p streams at 60 fps can be combined with a low resolution stream.

Image enhancement

The UP22-4K provides HDR or dual shutter WDR for extreme dynamic range for use in bright-light situations. Back-light or high-light compensation enhances image visibility in difficult lighting situations. With a built-in gyro the UP22-4K minimizes the effects from vibration to ensure the sharp and smooth video.

Cybersecurity

At the first login attempt, it's compulsory to set up a strong password to a certain level. Using HTTPS SSL/TLS 1.2, web browsers and video streaming can be protected within a secured communication channel. The security boundaries are set using multi-level user management and system log records every configuration change as well as login attempts as the track. Network access is protected by IEEE 802.1x port-based authentication with EAP/TLS or EAP/PEAP.

ONVIF

Multiple options are available to easily integrate the UP22-4K to a video management system. In support of open standards, the camera is compliant with the ONVIF Profile T



and Profile S for streaming compatibility with other VMS's, and Profile G for local storage compatibility.

Camera	
Image Sensor	1/1.8" Progressive CMOS
Effective pixels	3864x2180 (4K)
Minimum scene illumination	Color: 0.04 lux, B/W: 0.002 lux,
Shutter Speed	1 s to 1/10,000 s
Lens	22x optical zoom
Focal length	6.4 - 138.5mm, F/1.5
Field of View	
- Horizontal	64° to 3°
- Vertical	37° to 2°
Focus Control	Autofocus/Manual
Slow Shutter	Supported
Day/Night	IR-cut filter with twilight sensor
Internal demister/heater	Standard

Image	
Wide dynamic range	120dB
White Balance	Auto, ATW, Manual, One push
Image Setting	Saturation, Brightness, Contrast, Sharpness, Backlight Compensation, Highlight Compensation, WDR
Day/Night Switch	Auto/Scheduled/Triggered by Alarm In
Image Enhancement	2DNR, 3DNR, ColorNR
Image Stabilization	Support, built-in Gyro
Digital Zoom	10x
Image Rotation	90°, 180°, 270° rotation
privacy masks	24x
Text and picture overlay	Compass, date and time, 4x line (40 characters each), preset title, image, image transparency

Video	
Video Compression	H.265 (Main Profile) / H.264 (High Profile/Main Profile) / MJPEG
Video Bitrate	64 Kbps - 10 Mbps
Max. Resolution	3840 x 2160 at 30 fps, (1920x1080 for MJPEG)
Supported Resolution	3840 x 2160(8MP); 3200x1800; 1920x1080; 1280x1024; 1280x720; 1024x768; 800x600; 720x480; 640x480(VGA); 352x240; 320x240
Frame Rate	25/30 fps, 50/60fps
Number of simultaneous streams	Quad Streams, Individually configurable stream
Max. Streaming	
- 30fps (dual shutter WDR)	3840x2160 800x600
- 30fps (dual shutter WDR)	3200x1800 1920x1080 800x600
- 30fps (dual shutter WDR)	1920x1080 1920x1080 1920x1080 1920x1080
- 60fps	1920x1080 1920x1080 352x240
Bitrate Control	Constant bit rate (CBR), variable bit rate (VBR), Low bit rate (LBR)
Number of video output streams	Up to 20 (RTSP)

Specs



Video

Total Output Data	50Mb/s
Video output	1 Vp-p; 2-pin to BNC patch cable (For test/installation only)
Region of interest	3 regions in total

Analytics

Loitering Detection	Enter and loiter in a user-defined region
Intrusion Detection	Enter in a user-defined region
Object Removal	Remove the user-defined object
Object Abandoned	Enter in a user-defined region
Event detections	External Input, Analytics, Network Failure Detection, Periodical Event, Manual Trigger, Cell-based motion detection, Tampering
Event Action	Alarm output, record video clip, send alarm message, upload image

Network

Communication Interface	100/1000 Mb (RJ45)
Network protocols	IPv4/IPv6, HTTP, HTTPS, TLS1.2, 802.1x, Qos, FTP, SMTP(SSL), UPnP, SNMP(v1/v2/v3/Traps), DNS, DDNS, NTP, RTSP, RTP, TCP/IP, IGMP(v2/v3), DHCP, PPPoE, Pelco D (TCP/UDP), NTCIP (TCP/UDP), ONVIF Profile S/G/T, Siqua Protocol (SPI)
Security	User authentication, Syslog, Digest authentication (RTSP, HTTP), HTTPS Secure port encryption (TLS1.2); IEEE 802.1x port-based network access control (EAP-MD5, EAP-TLS, EAP-TTLS-EAP-PEAP), IP filtering
Web Viewer	Internet Explorer 11, Microsoft Edge, Google Chrome, Mozilla Firefox, Apple Safari

Powering

Power consumption	70 W incl. heater, 30 W without heater
Heater consumption	30 W Body; 10 W Defroster
Power	24 Vac, 30 to 35 Vdc

Environmental

Operating temperature	-34 °C to +74 °C (-29 °F to 165 °F) - per Nema TS-2
- Continuous (sheltered, air temp)	-34 °C to +60 °C (-22 °F to 140 °F)
- Cold start	-30°C (-22 °F)
Vibration, shock	Nema TS-2 (2015)
Max wind velocity	240 km/h (150 mph)
Relative humidity	5% to 100%
Ingress rating	IP66
Impact rating (Casing only)	IK10
Corrosion Class	C5 (EN 12944-1998)

Mechanical

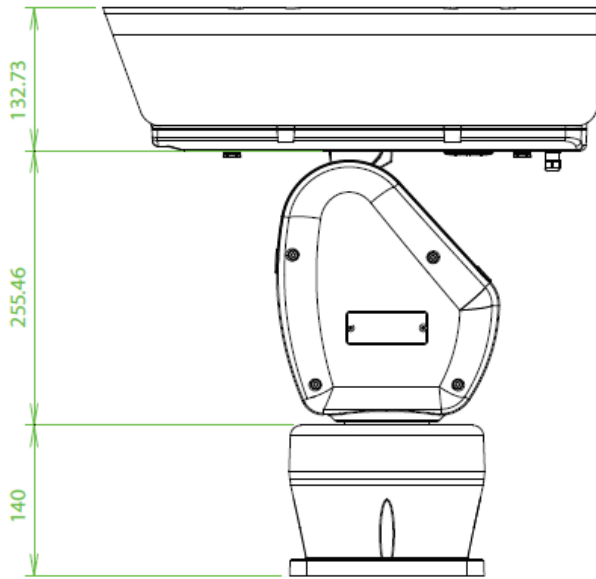
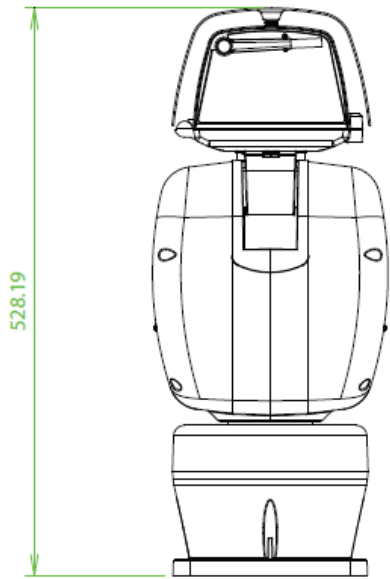
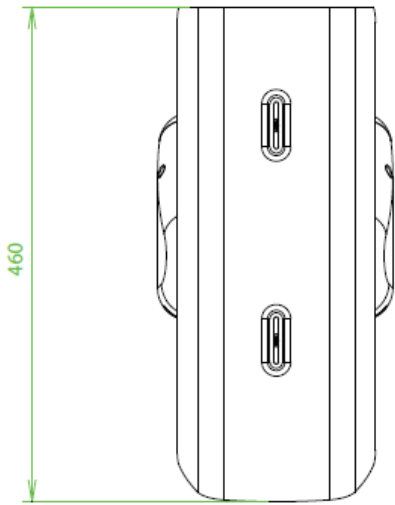
Housing materials	Aluminum Die-cast
Coating	Powder coated (White)

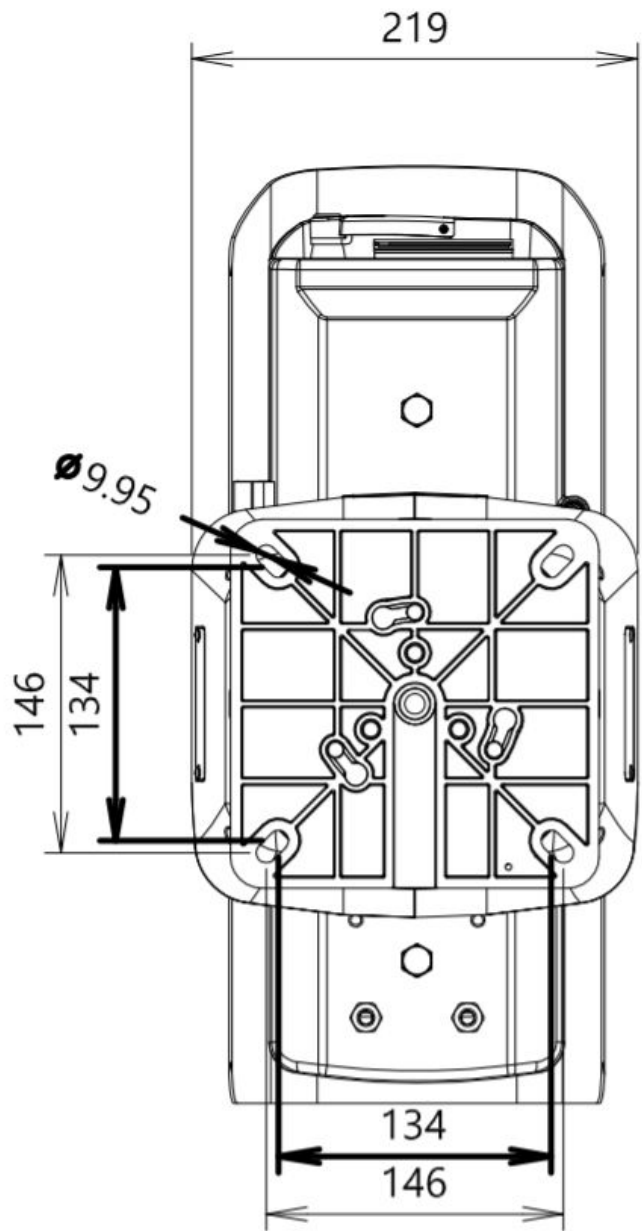
Specs



Mechanical	
Transmission	Toothed belt driven
Pan	Endless 360 degree
Pan speed (variable)	0.036°/s up to 120°/s
Tilt	-90° to +40°
Tilt speed (variable)	0.012°/s up to 40°/s
Speed-by-Zoom	Yes, proportional for Optical zoom as well as Digital zoom
Presets	256
Preset accuracy	0.1° (typ.)
Wiper	Standard integrated wiper
Dimensions (h x w x d)	See drawings for dimensions
Weight	14 kg (30 lbs)

Ordering information	
UP22-4K	Upright PTZ 4K 22x zoom, 24 Vac
UP-IR200	IR illumination kit for UPxx PTZ, 200 m, 850 nm
UP-WM	Wall mount bracket for UPxx
UP-PM	Double bracket Pole mount adaptor for UP series
WP10	10l washer tank, pump 10m, float switch, 316L frame, 24 Vac -230 Vac
UP-WNK01	Upxx water nozzle kit. Includes nozzle, bracket and 10m hose
PA80-24	PSU, 115/230 VAC to 24VAC, 3.3A, indoor, extended temp.
PA144-JB24	PSU, 115/230VAC to 24VAC, 6A, outdoor, IP67/IK10

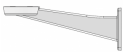




RELATED



Siqura UP-IR200
IR illumination Kit for Upright PTZ UPxx



Siqura UP-WM
Wall mount bracket for UPxx



Siqura WP10
10l washer tank, pump 10m, float switch, 316L frame



Siqura PSR, PA
DC power adaptors for (PTZ) cameras and PoE switches



TKH Security PA144-JB24
PSU, 115/230VAC to 24VAC,6A, outdoor, IP67/IK10 junction box
