

TBS

SENSITIVE PUSH BUTTON

FEATURES

- Onboard Dipswitch to set for latch mode or pulse mode
- Ideally suited for a wide range of applications e.g. Exit button, light switch, elevator button or industrial panels
- Stainless Steel touch plate
- Resin potted electronics



SPECIFICATIONS

Electrical Characteristics:

Input voltage: 12-24V DC; 15-24V AC
 Current consumption: Max. 65 mA
 Relay output: 2 A with 24 CC/ 120 V CA
 Indicators: Normal - Red LED
 Relay operation - Green LED

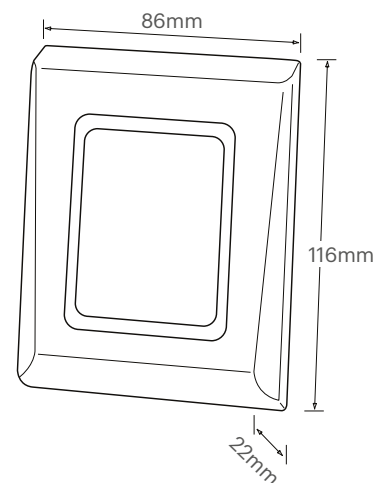
Environmental Characteristics:

Operating Temperature: -20°C to 50°C
 Operating Humidity: non-condensing up to 95%
 IP rating: IP66

Mechanical Characteristics:

Housing: Die-cast aluminum
 Alloy housing

DIMENSIONS



TBS ARROW



TBS EXIT