

2MP LightHunter IR Network Camera

IPC672LR-ADUPKF40



Key Features



Optics

- LightHunter illumination
- Day/night functionality
- Smart IR , up to 30 m (98 ft) IR distance
- Up to 120 dB Optical WDR(Wide Dynamic Range)
- Optical glass window with higher light transmittance
- IR anti-reflection window to increase the infrared transmittance
- 2D/3D DNR (Digital Noise Reduction)

Compression

- Ultra 265,H.265, H.264, MJPEG
- Built-in microphone & speaker
- Triple streams
- ROI (Region of Interest)

Network

- ONVIF Conformance

Structure

- Support PoE power supply
- Wide temperature range: -20°C ~ 60°C (-4°F to 140°F)
- Wide voltage range of ±25%
- IP66

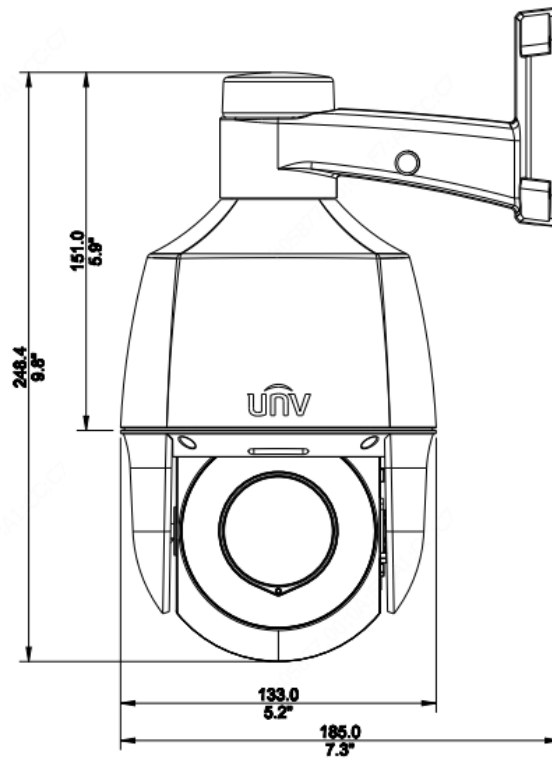
Specifications

IPC672LR-ADUPKF40					
Camera					
Sensor	1/2.8" progressive scan, 2.0 megapixel, CMOS				
Lens	4.0mm@F1.6				
DORI Distance	Lens	Detect(m)	Observe(m)	Recognize(m)	Identify(m)
	4mm	62.1	24.8	12.4	6.2
Angle of View (H)	84.3°				
Angle of View (V)	42.8°				
Angle of View (O)	103.7°				
Shutter	Auto/Manual, shutter time: 1 s ~ 1/100000 s				
Minimum Illumination	Colour:0.001 lux (F1.6,AGC ON) 0 lux with IR				
Day/Night	IR-cut filter with auto switch (ICR)				
Digital noise reduction	2D/3D DNR				
S/N	>52 dB				
IR Range	UP to 30m (98ft)				
Wavelength	850nm				
IR On/Off Control	Auto/Manual				
WDR	120dB				
Video					
Video Compression	Ultra 265,H.265, H.264, MJPEG				
H.264 code profile	Baseline profile, Main Profile				
Frame Rate	Main Stream:1080P (1920*1080):Max. 30 fps; 720P (1280 × 720):Max. 30 fps; Sub Stream: 720P (1280 × 720):Max. 30 fps; Third Stream: CIF (352*288): Max. 30 fps				
Video Bit Rate	128 Kbps~16 Mbps				
OSD	Up to 8 OSDs				
Privacy Mask	Up to 8 areas				

ROI	Up to 8 areas
Motion Detection	Up to 4 areas
Image	
White Balance	Auto/Outdoor/Fine Tune/Sodium Lamp/Locked/Auto2
Digital noise reduction	2D/3D DNR
Smart IR	Support
Flip	Normal/Vertical/Horizontal/180°
Dewarping	Support
HLC	Supported
BLC	Supported
Audio	
Audio Compression	G.711
Suppression	Supported
Sampling Rate	8 KHZ
Storage	
Edge Storage	Micro SD, up to 128 GB
Network Storage	ANR, NAS(NFS)
Network	
Protocols	IPv4, IGMP, ICMP, ARP, TCP, UDP, DHCP, PPPoE, RTP, RTSP, RTCP, DNS, DDNS, NTP, FTP, UPnP, HTTP, HTTPS, SMTP, 802.1x, SNMP, SSL
Compatible Integration	ONVIF(Profile S, Profile G, Profile T), API
Client	EZStation EZView EZLive
Web Browser	Plug-in required live view: IE9+, Chrome 41 and below, Firefox 52 and below
	Plug-in free live view: Chrome 57.0+, Firefox 58.0+, Edge 16+, Safari 11+
Pan & Tilt	
Pan Range	345°
Pan Speed	0.1° /s ~ 50° /s
	Preset speed: 50° /s
Tilt Range	90°
Tilt Speed	0.1° ~ 40° /s
	Preset speed: 40° /s
Number of Presets	256
Patrol	Preset patrol, Route patrol
Interface	
Network	1 RJ45 10M/100M Base-TX Ethernet
Built-in Mic	Supported
Built-in Speaker	Supported
Certifications	
Certifications	CE: EN 60950-1 UL: UL60950-1 FCC: FCC Part 15
General	
Power	DC 12V ± 25%, PoE (IEEE802.3 at)

	Power consumption: Max 14 W
Dimensions (Ø x H)	Φ133mm*248.4mm (Φ5.2" x 9.8")
Net Weight	0.80 kg (1.76lb)
Gross Weight	1.06 kg (2.34lb)
Material	The front half of the sphere: metal The others: plastic
Working Environment	-20°C ~ 60°C (-4°F to 140°F), Humidity: ≤95% RH(non-condensing)
Storage Environment	-20°C ~ 60°C (-4°F to 140°F), Humidity: ≤95% RH(non-condensing)
Surge Protection	4KV
Ingress Protection	IP66
Reset Button	Supported

Dimensions



Accessories

TR-JB07-D-IN

TR-UP06-B-IN

TR-UP06-C-IN

TR-A01-IN



Zhejiang Uniview Technologies Co., Ltd.

South Tower, Building 10, Wanlun Science Park, 88 Jiangling Road, Hangzhou, P.R.China 310051

Email: overseasbusiness@uniview.com; globalsupport@uniview.com

<http://www.uniview.com>

©2020 Zhejiang Uniview Technologies Co., Ltd. All rights reserved.

*Product specifications and availability are subject to change without notice.