

# SA50

## Indoor siren


 Addressee for this information:  User |  Installer

### 1 DESCRIPTION

SA50 is an optical acoustic device for indoor use. It features a single piezoelectric horn and a white LED flasher.

The siren is supplied in a plastic housing.

Microswitches are available for protection against cover opening and removal from the wall.

### 2 TECHNICAL DATA



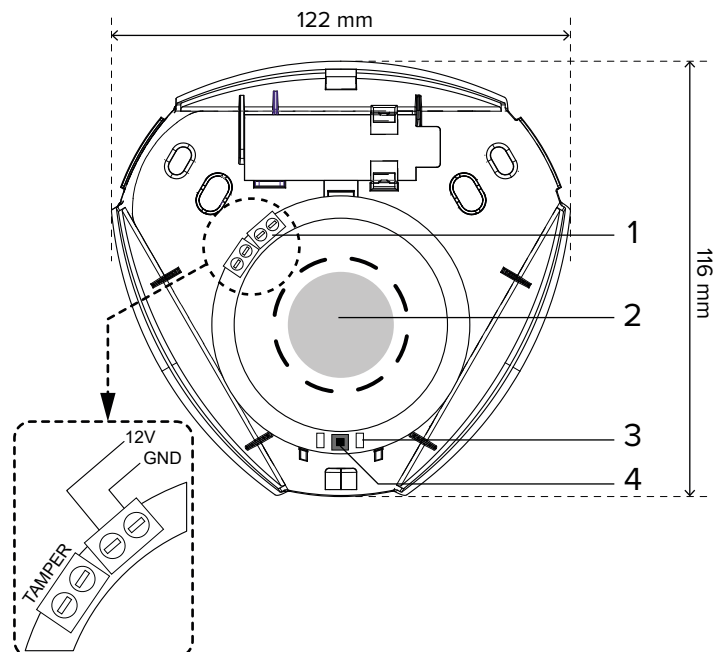
Model	SA50		
<b>Identification</b>			
Use	for indoor use		
<b>General features</b>			
<b>Sound emission</b>	Sound type	dual tone	
	Number of horns	1	
	Fundamental frequency	2,860	kHz
	Peak sound pressure	108	dB
	Average sound pressure	104	dB
<b>Operating voltage</b>	Power supply	12	V
	Minimum power supply	9,0	V
	Maximum operating voltage	15,0	V
<b>Consumption at power voltage</b>	Alarm mode	80,0	mA
<b>Conformity</b>	EN 50131-4: grade 2		
<b>Environmental class</b>	II		
<b>Working temperature</b>	+5 / +40		°C

Model	SA50	
<b>Dimensions</b>	W 122 × H 116 × D 35	mm
<b>Weight</b>	140	g

#### Parts supplied

Screws, dowels, technical manual.

#### View of the internal components



- 1 Terminals
- 2 Horn
- 3 Flasher LED
- 4 Anti-opening switch

### 3 PRECAUTIONS BEFORE DEVICE MOUNTING



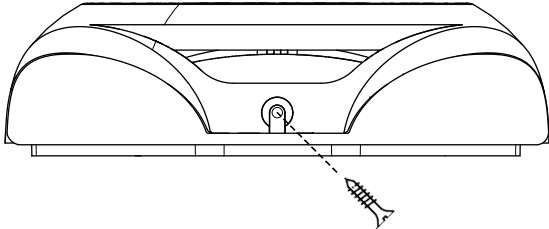
General warnings are at the end of this manual.

Check the mounting surface is perfectly flat.

### 4 DEVICE MOUNTING

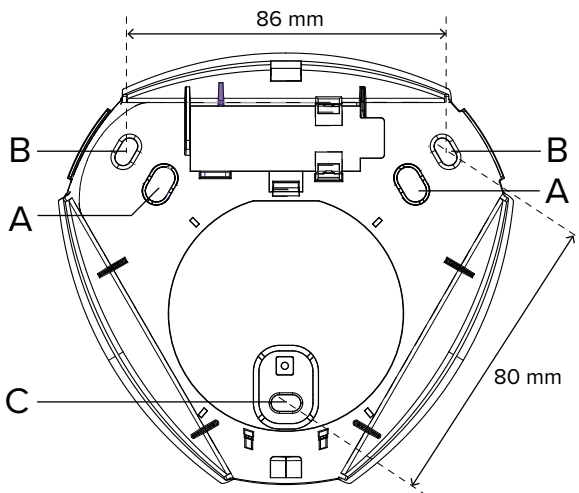


#### • Opening the housing



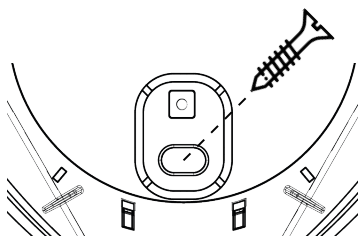
- loosen the fixing screw leaving it to its place
- lift the cover
- extract the cover from the upper hook

#### • Base wall mount

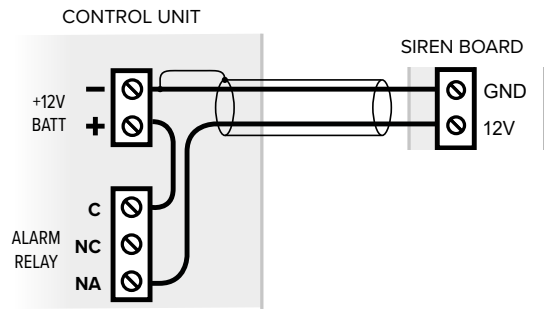


- drill one of the areas for cable passage (A)
- feed unpowered cables through the drilled hole
- fix the base to the surface using screws and dowels (holes B, C)

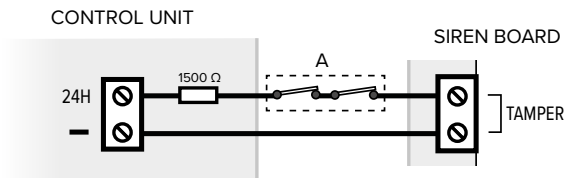
The screw with dowel inserted into hole C implements the protection against removal.



#### • Wirings



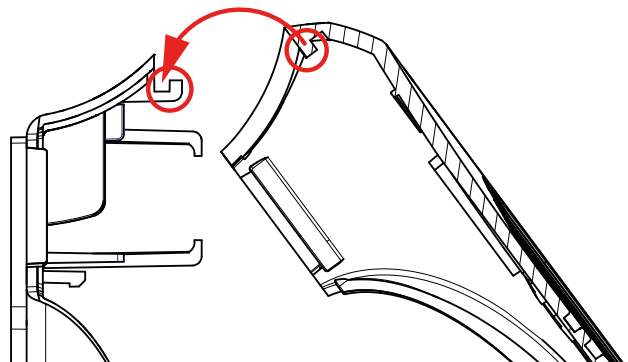
- wire power terminals to the control unit alarm relay



#### A Tamper switches

- wire **TAMPER** terminals (NC) to the control unit tamper circuit or to a control unit zone programmed as "tamper"

#### • Closing the housing



Side view

- insert the cover in the upper hook
- lower the cover
- tighten the cover fixing screw

### 5 STARTING THE DEVICE



- trigger an alarm
- check the siren properly works

### 6 OPERATING MODE



The siren uses two indications at the same time to notify alarm status: audible (horn activation) and visual (beacon activation) indication.

## Table of contents

---

1	DESCRIPTION.....	P. 1
2	TECHNICAL DATA.....	P. 1
3	PRECAUTIONS BEFORE DEVICE MOUNTING .....	P. 2
4	DEVICE MOUNTING.....	P. 2
5	STARTING THE DEVICE .....	P. 2
6	OPERATING MODE.....	P. 2
	EU DECLARATION OF CONFORMITY .....	P. 4
	GENERAL WARNINGS .....	P. 4
	INSTALLER WARNINGS .....	P. 4
	USER WARNINGS.....	P. 4
	MAIN SAFETY RULES.....	P. 4
	DISPOSAL WARNINGS.....	P. 4

## EU DECLARATION OF CONFORMITY

The product complies with current European EMC and LVD directives.

The full text of the EU declaration of conformity is available at the following internet address: [www.elmospa.com](http://www.elmospa.com) – registration is quick and easy.



## GENERAL WARNINGS



This device has been designed, built and tested with the utmost care and attention, adopting test and inspection procedures in compliance with current legislation. Full compliance of the working specifications is only achieved in the event the device is used solely for its intended purpose, namely:

### Indoor siren.

The device is not intended for any use other than the above and hence its correct functioning in such cases cannot be assured. Consequently, any use of the manual in your possession for any purpose other than those for which it was compiled - namely for the purpose of explaining the product's technical features and operating procedures - is strictly prohibited.

Production processes are closely monitored in order to prevent faults and malfunctions. However, the components adopted are subject to an extremely modest percentage of faults, which is nonetheless the case with any electronic or mechanical product.

Given the intended use of this item (protection of property and people), we invite you to adapt the level of protection offered by the system to suit the actual situation of risk (allowing for the possibility of impaired system operation due to faults or other problems), while reminding you that there are specific standards for the design and production of systems intended for this kind of application.

**We hereby advise you (the system's operator) to see that the system receives regular routine maintenance, at least in accordance with the provisions of current legislation, and also check on as regular a basis as the risk involved requires that the system in question is operating properly, with particular reference to the control unit, sensors, sounders, dialler(s) and any other device connected. You must let the installer know how well the system seems to be operating, based on the results of periodic checks, without delay.**

Work involved in the design, installation and maintenance of systems incorporating this product should be performed only by personnel with suitable skills and knowledge required to work safely so as to prevent any accidents. It is vital that systems be installed in accordance with current legislation. The internal parts of certain equipment are connected to the mains and therefore there is a risk of electrocution when maintenance work is performed inside without first disconnecting the primary and emergency power supplies. Certain products include batteries, rechargeable or otherwise, as an emergency backup power supply.

If connected incorrectly, they may cause damage to the product or property, and may endanger the operator (explosion and fire).

## INSTALLER WARNINGS



Comply strictly with current standards governing the installation of electrical systems and security systems, and with the manufacturer's directions given in the manuals supplied with the products.

Provide the user with full information on using the system installed and on its limitations, pointing out that there are different levels of security

performance that will need to suit the user's requirements within the constraints of the specific applicable standards. See that the user looks through the warnings given herein.

Work involved in the design, installation and maintenance of systems incorporating this product should be performed only by personnel with suitable skills and knowledge required to work safely so as to prevent any accidents. It is vital that systems be installed in accordance with current legislation. The internal parts of certain equipment are connected to the mains and therefore there is a risk of electrocution when maintenance work is performed inside without first disconnecting the primary and emergency power supplies. Certain products include batteries, rechargeable or otherwise, as an emergency backup power supply. If connected incorrectly, they may cause damage to the product or property, and may endanger the operator (explosion and fire).

## USER WARNINGS



Check the system's operation thoroughly at regular intervals, making sure the equipment can be armed and disarmed properly.

Make sure the system receives proper routine maintenance, employing the services of specialist personnel who meet the requirements prescribed by current regulations.

Ask your installer to check that the system suits changing operating conditions (e.g. changes in the extent of the areas to be protected, change in access methods, etc...)

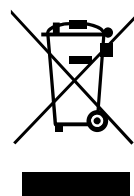
## MAIN SAFETY RULES

The use of the device is forbidden for children and unassisted disabled individuals.

Do not touch the device when bare footed, or with wet body parts. Do not directly spray or throw water on the device.

Do not pull, remove or twist the electric cables protruding from the device even if the same is disconnected from the power source.

## DISPOSAL WARNINGS



IT08020000001624

In accordance with Directive 2012/19/EU on waste electrical and electronic equipment (WEEE), please be advised that the EEE was placed on the market after 13 August 2005 and must be disposed of separately from normal household waste.