

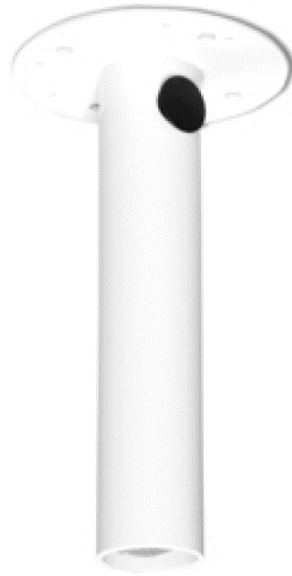
# INDEX

CM01 .....	3	PM01 SAE304 .....	41
CM02 .....	4	PM02 .....	42
CM08 .....	5	PM06 .....	43
CM09 .....	6	PM07 .....	44
CM11 .....	7	PM07B .....	45
CM12 .....	8	PM08 .....	46
CM13 / FD .....	9	PM09B / BL .....	47
CM14 .....	10	PM10 .....	48
CM15 .....	11	PTM01 .....	49
CM16 .....	12	PTM02 .....	50
CM17 .....	13	TA01/FD .....	51
CM18 .....	14	TA02 .....	52
CM19 .....	15	TA03 .....	53
CM20 .....	16	WM01A .....	54
CM20TR .....	17	WM02FD-SFP .....	55
CM21 .....	18	WM04A .....	56
CM22 .....	19	WM05 .....	57
CM23 .....	20	WM07A .....	58
DC09 .....	21	WM09 .....	59
DC09C-R .....	22	WM10 .....	60
DC19 .....	23	WM10B .....	61
DC21C-R .....	24	WM11 .....	62
DC30S .....	25	WM11B .....	63
DC31S .....	26	WM12 .....	64
DC32S .....	27	WM12B .....	65
HSG02LV .....	28	WM14 .....	66
HSG03LV .....	29	WM15 .....	67
HSG/CEILING .....	30	WM15B .....	68
HSG/CORNER .....	31	WM16 .....	69
HSG/POLE .....	32	WM17 .....	70
HSG/SUN .....	33	WM17B .....	71
HSG/WALL .....	34	WM18 .....	72
JB01 .....	35	WM19 / FD .....	73
JB02 .....	36	WM20 .....	74
JB05 .....	37	WM21 .....	75
JB06 .....	38	WM22 .....	76
JB07 / BL .....	39		
PM01 .....	40		



# CM01

Ceiling mount, straight tube, 25cm

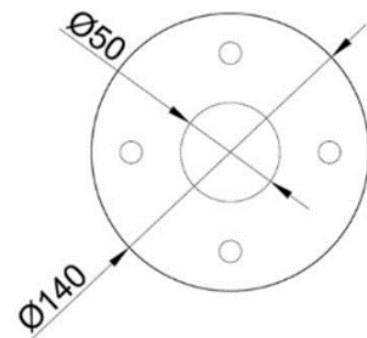
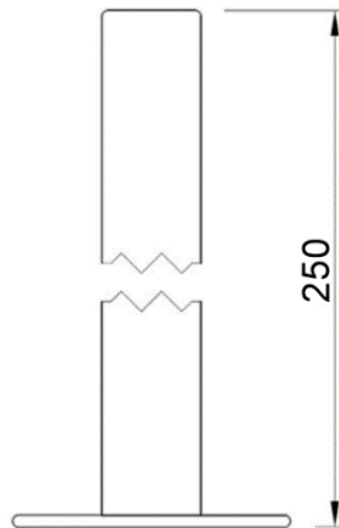


## Technical specifications

Material	Iron
Colour	RAL 9003 (signal white)
Dimensions (H x W x D)	250 x Ø50 mm (9.8 x Ø2.0 in)
Weight	1.0 kg (2.2 lbs)



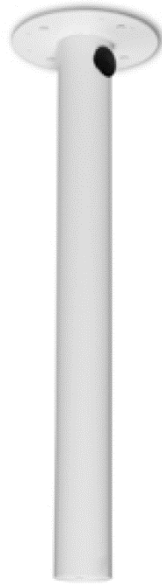
Box content



Unit: mm

# CM02

Ceiling Mount, Straight Tube, 50cm

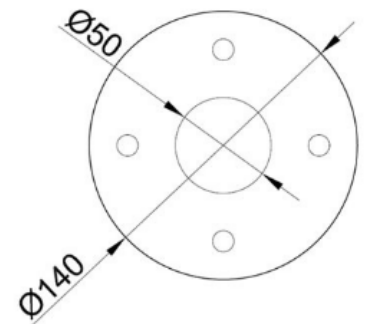
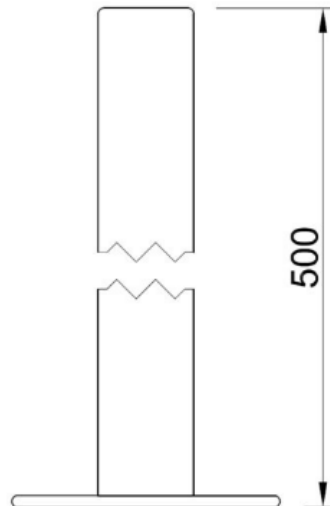


## Technical specifications

Material	Iron
Colour	RAL 9003 (signal white)
Dimensions (H x W x D)	500 x Ø50 mm (19.7 x Ø2.0 in)
Weight	1.0 kg (2.2 lbs)



Box content



Unit: mm

# CM08

Ceiling mount for FD1103M1-I and FD1104FR

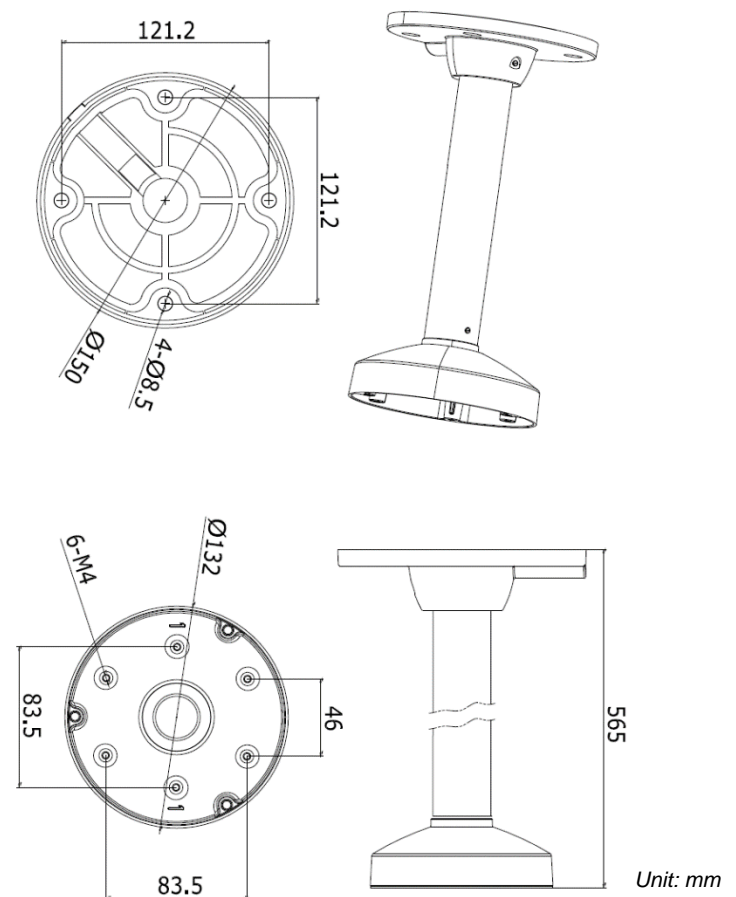


## Technical specifications

Material	Aluminum alloy
Colour	RAL 9003 (signal white)
Dimensions (H x W x D)	565 x Ø150 mm (22.24 x Ø5.91 in)
Weight	1.9 kg (4.2 lbs)



Box content



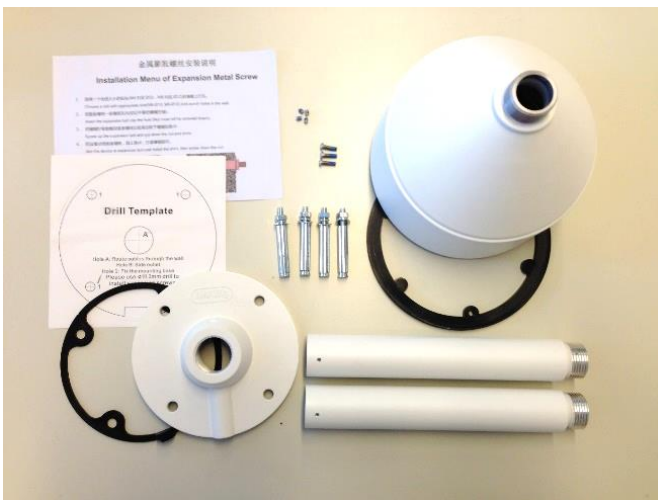
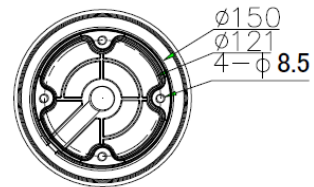
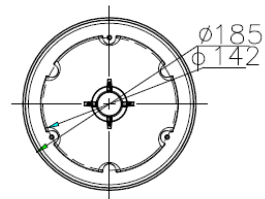
# CM09

Ceiling mount for FD1103M1-EI

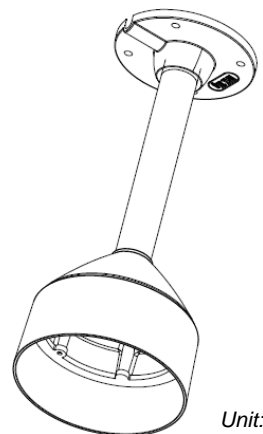
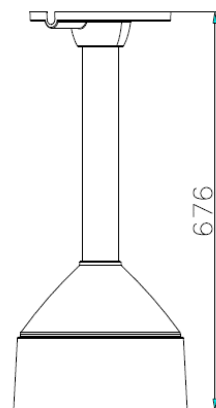


## Technical specifications

Material	Aluminum alloy
Colour	RAL 9003 (signal white)
Dimensions (H x W x D)	676 x Ø185 mm (26.6 x Ø7.28 in)
Weight	2.15 kg (4.7 lbs)



Box content



Unit: mm

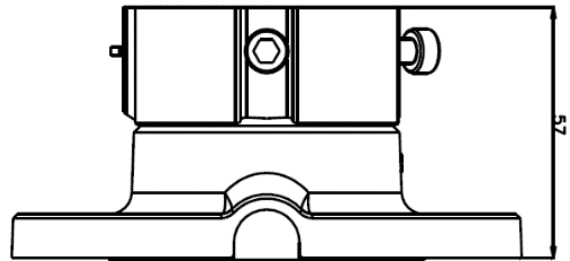
# CM11

Ceiling mount for PD1100-series and PD9x0-series PTZ Dome

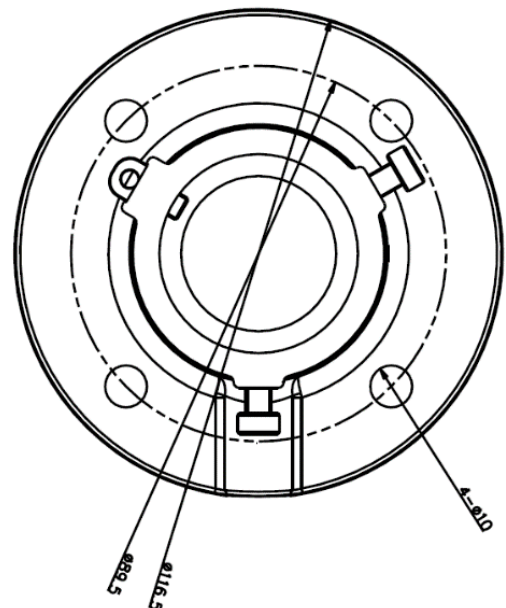


## Technical specifications

Material	Aluminum alloy
Colour	RAL 9003 (signal white)
Dimensions (H x W x D)	57 x Ø117 mm (2.24 x Ø4.6 in)
Weight	0.38 kg (0.84 lbs)



Box content



Unit: mm

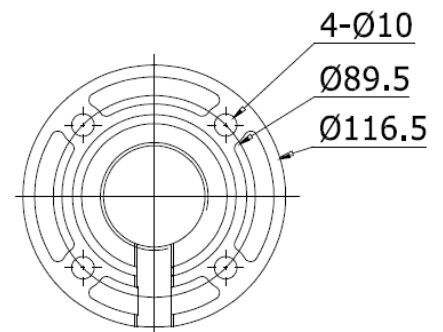
# CM12

Ceiling mount for PD1100-series and PD9x0-series PTZ Dome, 50 cm

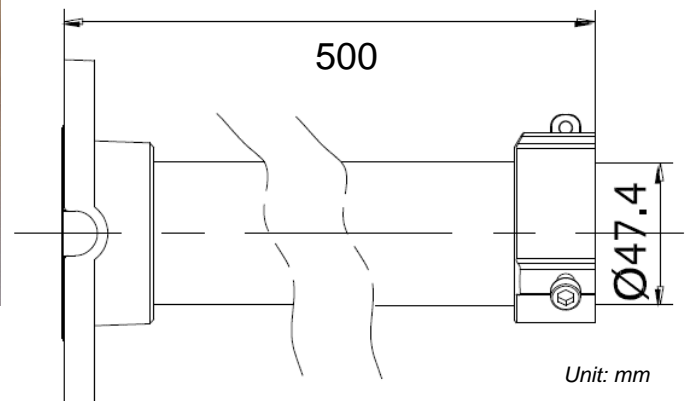


## Technical specifications

Material	Aluminum alloy
Colour	RAL 9003 (signal white)
Dimensions (H x W x D)	500 x Ø117 mm (19.7 x Ø4.6 in)
Weight	0.96 kg (2.1 lbs)



Box content





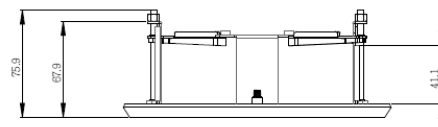
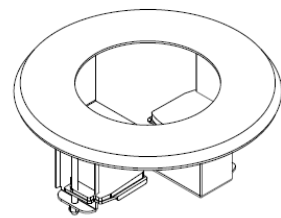
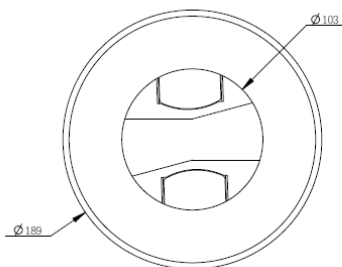
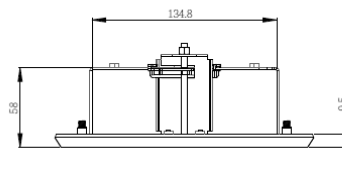
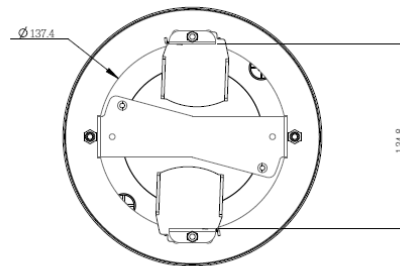
# CM13 / FD

Flush mount kit for FD800, FD910 and FD980 series



## Technical specifications

Material	Steel
Colour	RAL 9003 (signal white)
Dimensions (H x W x D)	Ø189 x 76 mm (Ø7.4 x 3.0 in)
Weight	0.8 kg (1.76 lbs)



Unit: mm

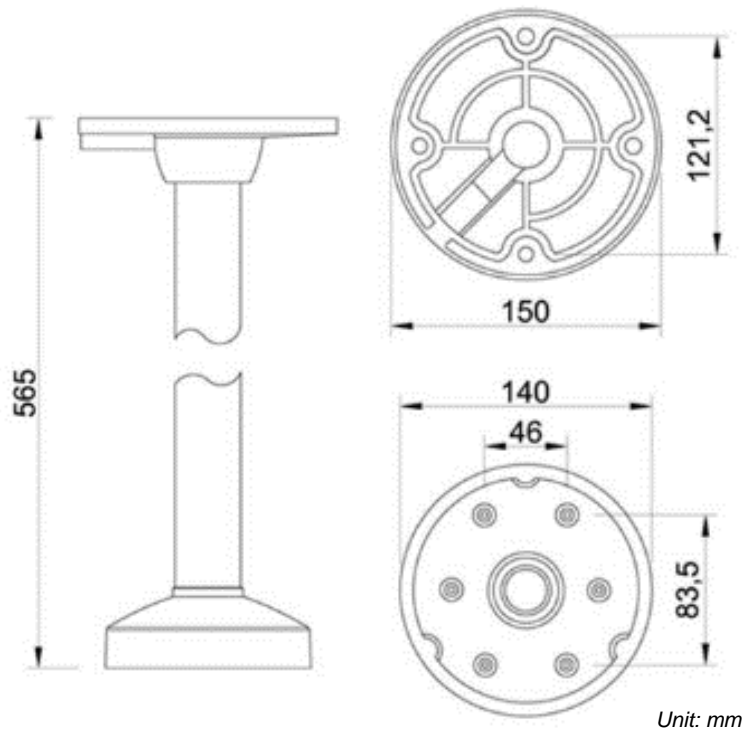
# CM14

Ceiling mount for FD100x



## Technical specifications

Material	Aluminum alloy
Colour	RAL 9003 (signal white)
Dimensions (H x W x D)	Ø150 x 565 x Ø140 mm (Ø5.9 x 22.2 x Ø5.5 in)
Weight	1.9 kg (4.2 lbs)



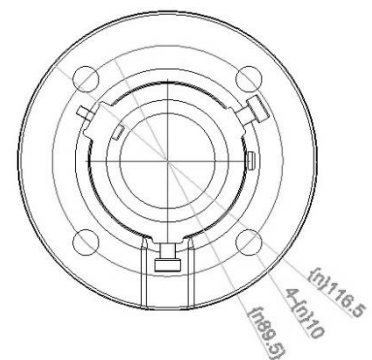
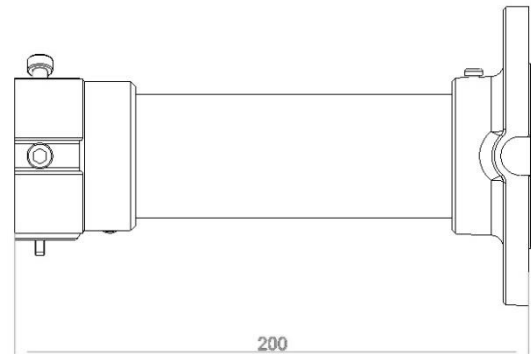
# CM15

Ceiling mount for PD1100-series and PD9x0-series PTZ Dome, 25 cm



## Technical specifications

Material	Aluminum alloy
Colour	RAL 9003 (signal white)
Dimensions (H x W x D)	Ø117 x 250 mm (Ø4.6 x 9.8 in)
Weight	0.6 kg (1.3 lbs)



Unit: mm

# CM16

Flush mount kit for FD360

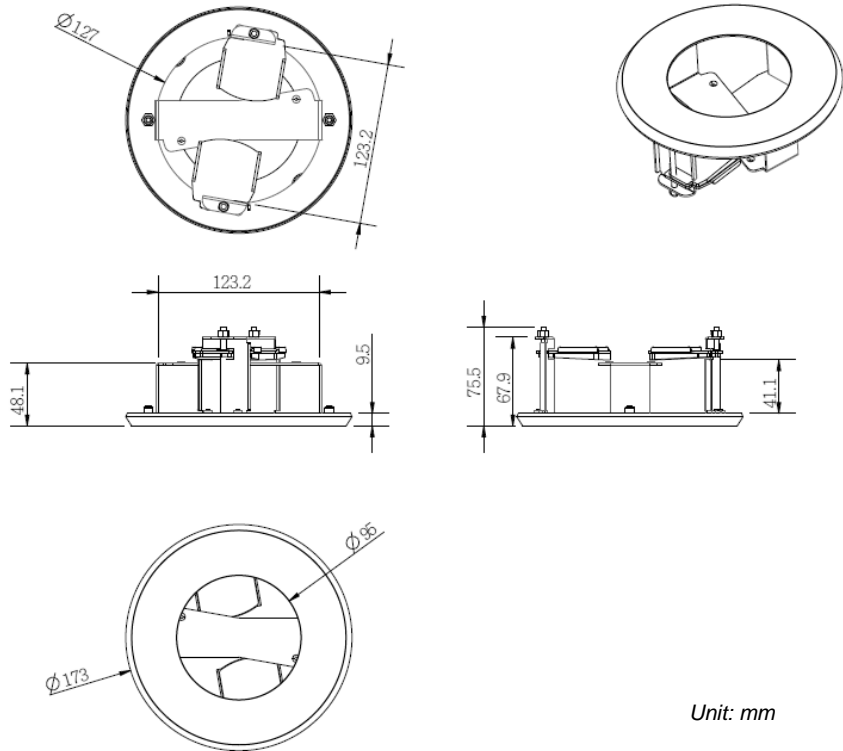


## Technical specifications

Material	Steel
Colour	RAL 9003 (signal white)
Dimensions (H x W x D)	Ø173 x 76 mm (Ø6.8 x 3.0 in)
Weight	0.54 kg (1.19 lbs)



Box content



Unit: mm

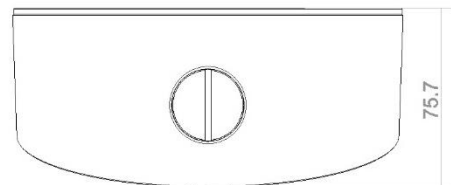
# CM17

Angled ceiling mount for FD1103M1-EI

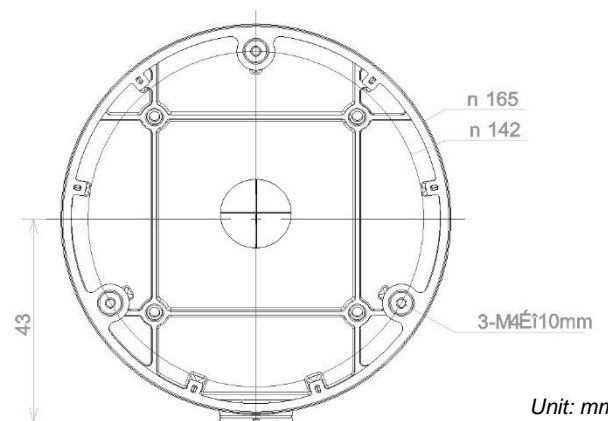


## Technical specifications

Material	Aluminum alloy
Colour	RAL 9003 (signal white)
Dimensions (H x W x D)	Ø165 x 76 mm (Ø6.5 x 2.99 in)
Weight	0.425 kg (0.94 lbs)



Box content



Unit: mm

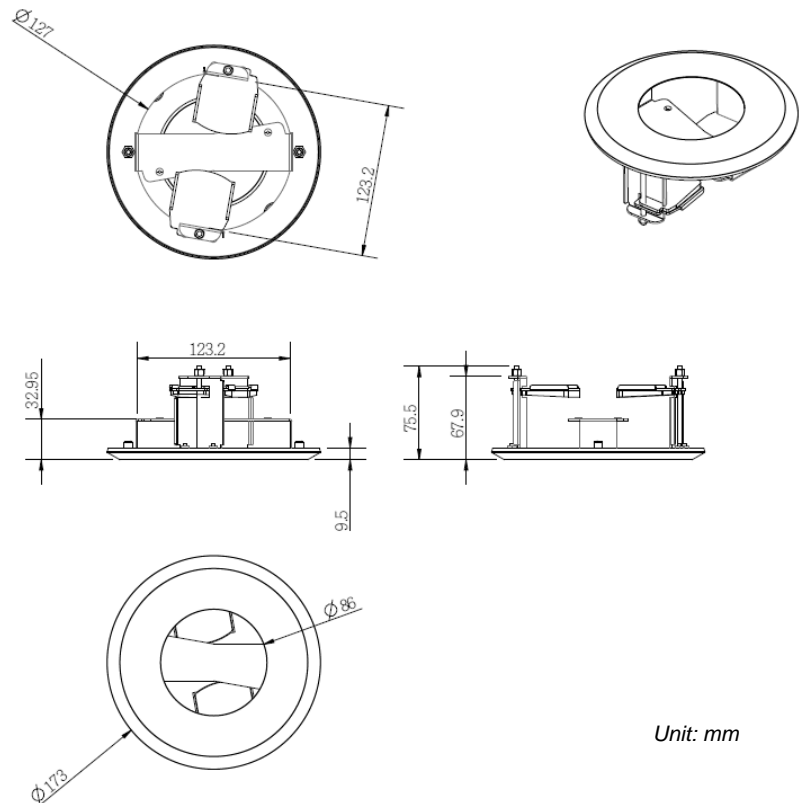
# CM18

Flush mount for indoor fixed dome IFD800



## Technical specifications

Material	Steel
Colour	RAL 9003 (signal white)
Dimensions (H x W x D)	Ø173 x 76 mm (Ø6.8 x 3.0 in)
Weight	



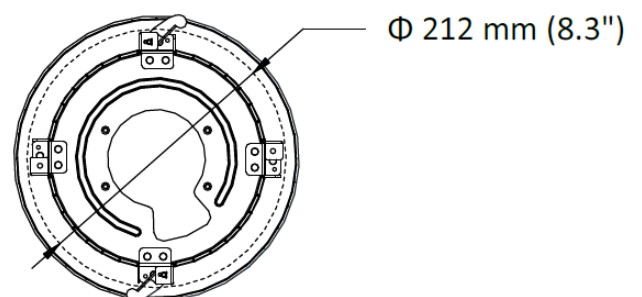
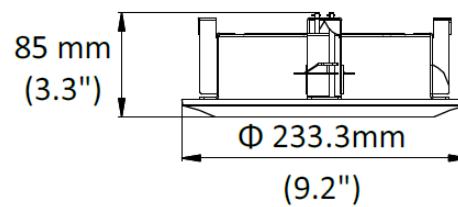
# CM19

Flush mount for PD1022Z3-EI and PD1022



## Technical specifications

Material	Steel
Colour	RAL 9003 (signal white)
Dimensions (H x W x D)	Ø233 x 85 mm (Ø9.2 x 3.3 in)
Weight	640 g (1.4 lb)



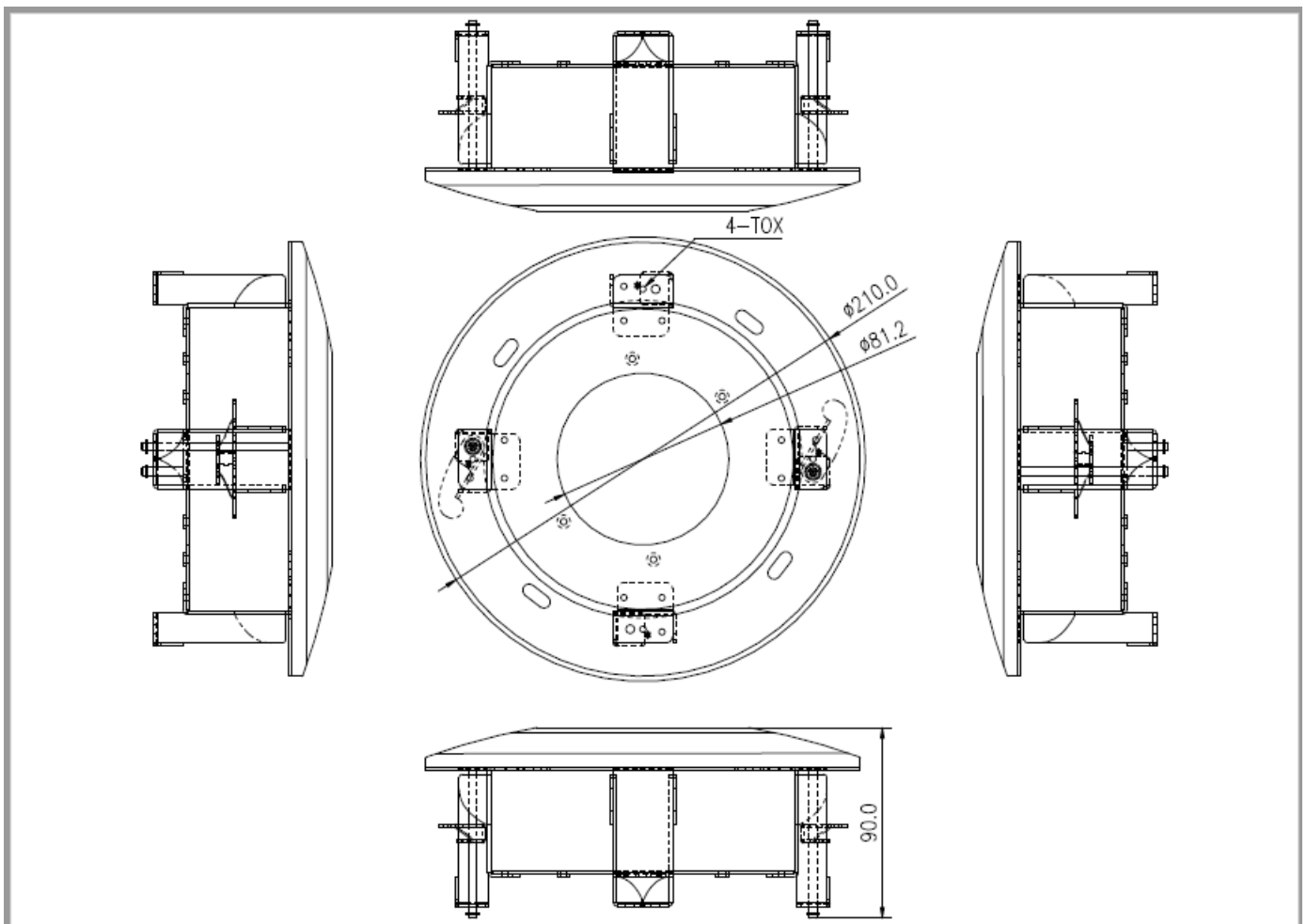
# CM20

Flush-mount for FD1004M1  
(needs additional top ring CM20TR)



## Technical specifications

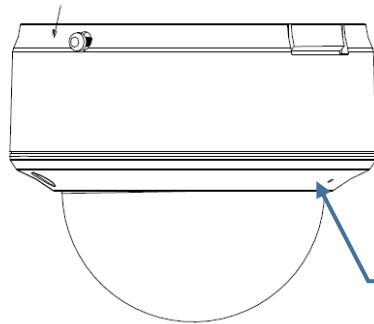
Material	Steel
Colour	RAL 9003 (signal white)
Dimensions (H x W x D)	Ø210 x 90mm
Weight	640 g (1.4 lb)





# CM20TR

Top-ring for CM20 FD1004  
(Addition to CM20)



Top-ring  
Original has to be replaced  
by CM20TR to fit the CM20  
in-ceiling mount

## Technical specifications

Material	Aluminum alloy
Colour	RAL 9003 (signal white)

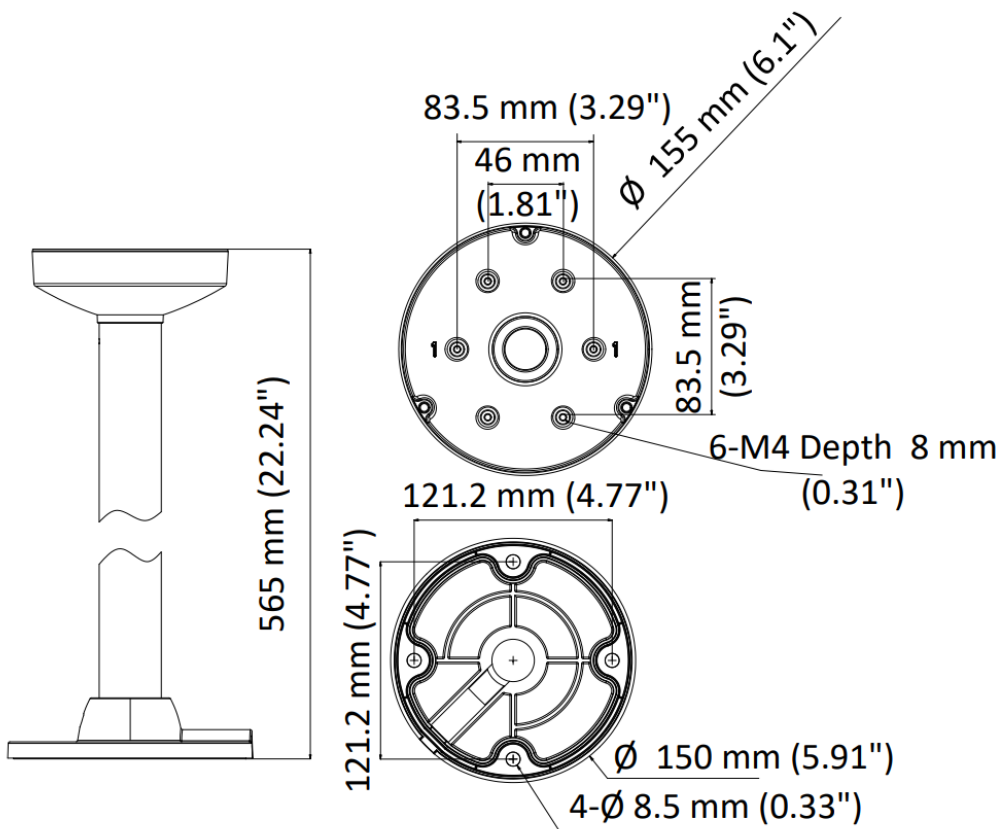
# CM21

Ceiling pendant mount for FD2002M1/2005M1



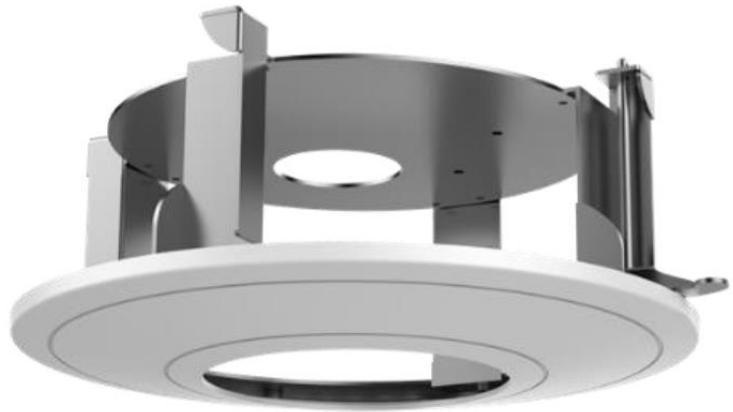
## Technical specifications

Material	Aluminum Alloy
Colour	RAL 9003 (signal white)
Dimensions (H x W x D)	Ø 155 mm x 565 mm (6.1" x 22.24")
Weight	650 g (1.4 lb.)



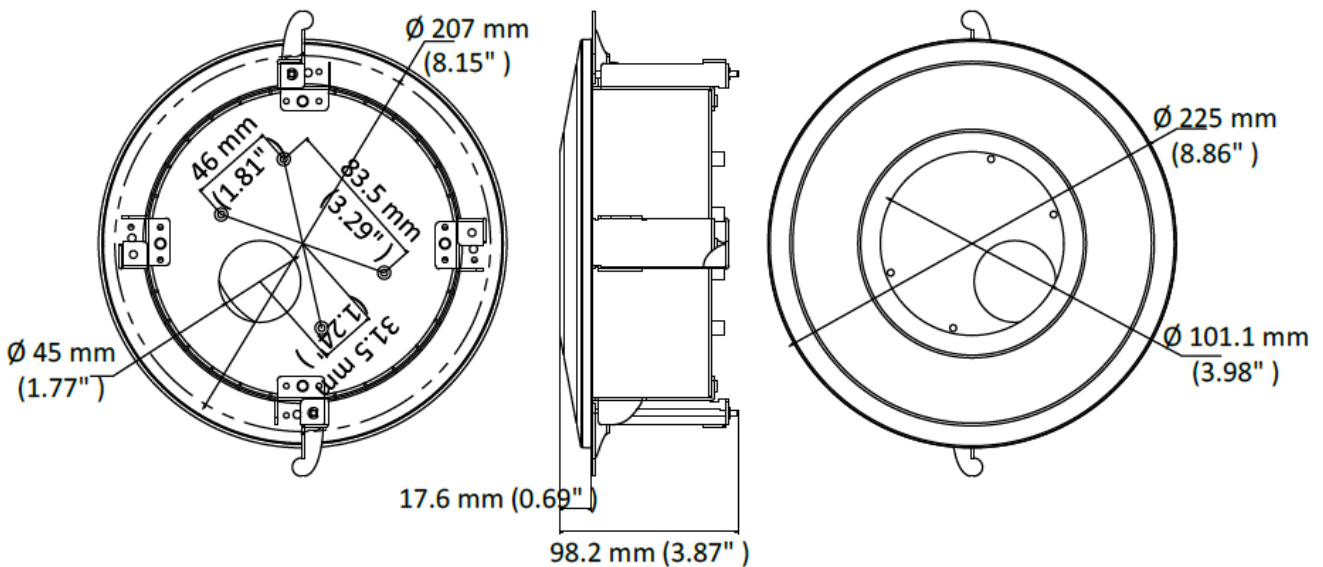
# CM22

In-Ceiling mount for FD2002M1/2005M1



## Technical specifications

Material	Steel and ABS
Colour	RAL 9003 (signal white)
Dimensions (H x W x D)	Ø 225 mm x 98.2 mm (8.86" x 3.87")
Weight	700 g (1.54 lb.)
Max load	3 kg (6.6 lb.)
Note	The mount should be installed on the flat ceiling The ceiling must be capable of supporting over 3 times as much as the total weight of the camera and the mount



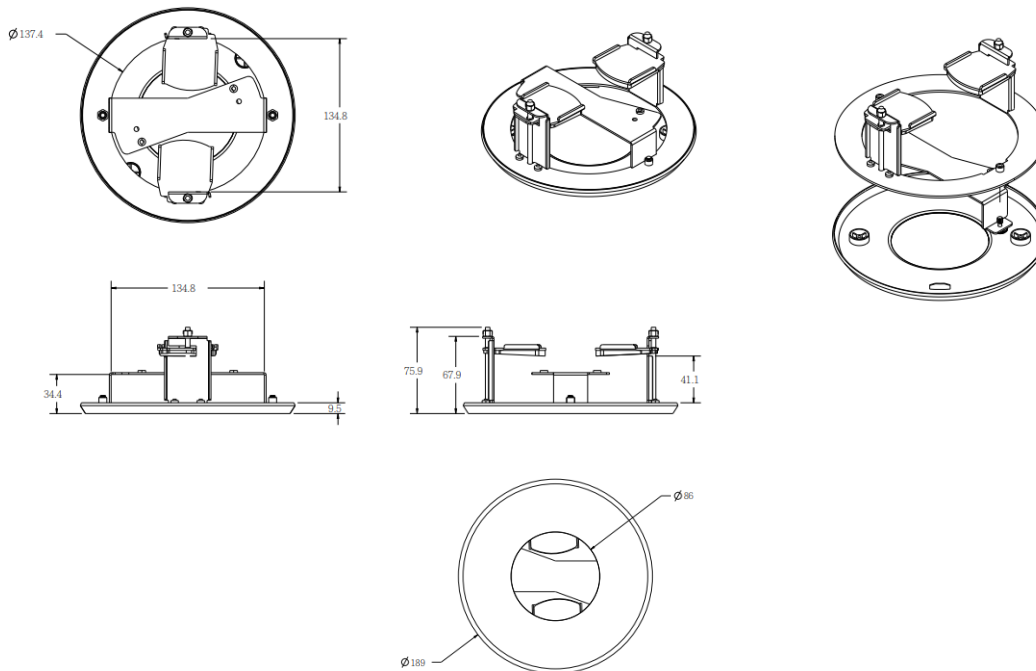
# CM23

In-Ceiling mount for FD360v2



## Technical specifications

Material	Steel
Colour	RAL 9003 (signal white)
Dimensions (H x W x D)	Ø189 x 76 mm (Ø7.4 x 3.0 in)
Weight	0.8kg (1.76lbs)



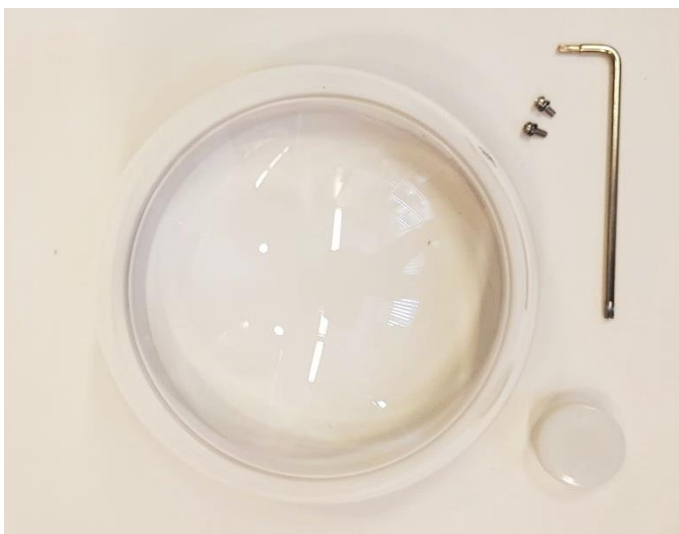
# DC09

Dome cover, transparent, vandal proof, for HSD8x0 cameras, 6.2"

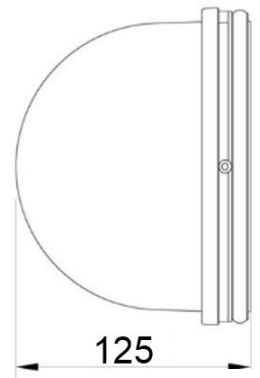
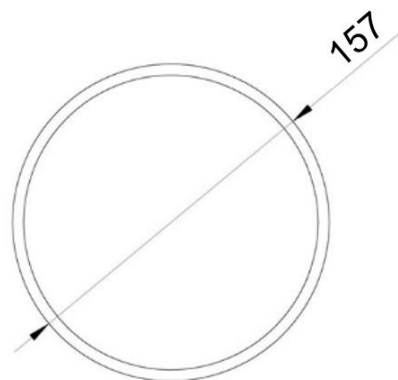


## Technical specifications

Material	Polycarbonate
Colour	Transparent
Dimensions (H x W x D)	125 x Ø157 mm (4.9 x Ø6.2 in)
Weight	0.2 kg (0.44 lbs)



Box content



Unit: mm

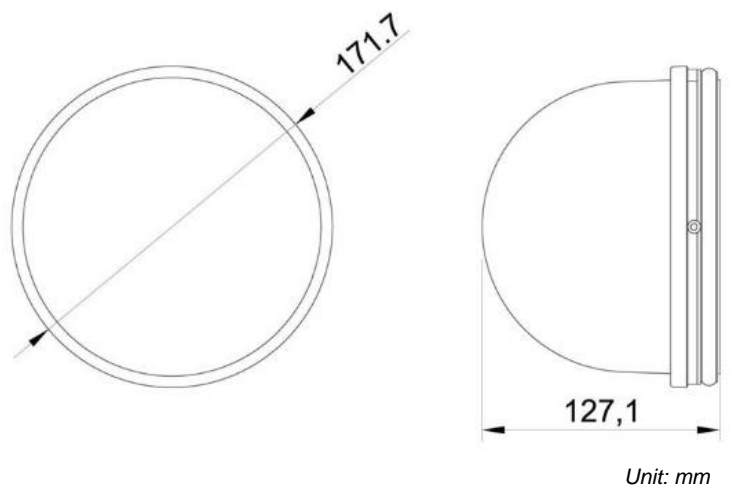
# DC09C-R

Dome cover, transparent, vandal proof, rain wash, for HSD820 cameras, 6.8"



## Technical specifications

Material	Polycarbonate
Colour	Transparent
Dimensions (H x W x D)	127 x Ø172 mm (5.0 x Ø6.8 in)
Weight	0.165 kg (0.36 lbs)



# DC19

Dome cover, smoked, vandal proof, for HSD8x0 cameras, 6.2"

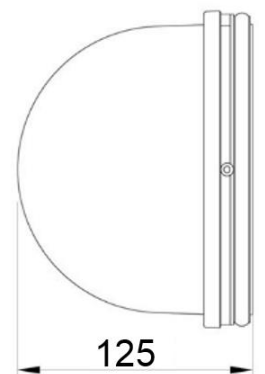
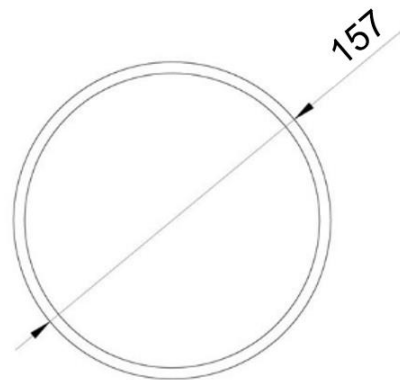


## Technical specifications

Material	Polycarbonate
Colour	Smoked
Dimensions (H x W x D)	125 x Ø157 mm (4.9 x Ø6.2 in)
Weight	0.2 kg (0.44 lbs)



Box content



Unit: mm

# DC21C-R

Dome cover, transparent, vandal proof, rain wash, for FD8xx cameras, 5.9"

## Technical specifications

Material	Polycarbonate
Colour	Transparent
Dimensions (H x W x D)	92 x Ø151 mm (3.6 x Ø5.9 in)
Weight	0.05 kg (0.11 lbs)



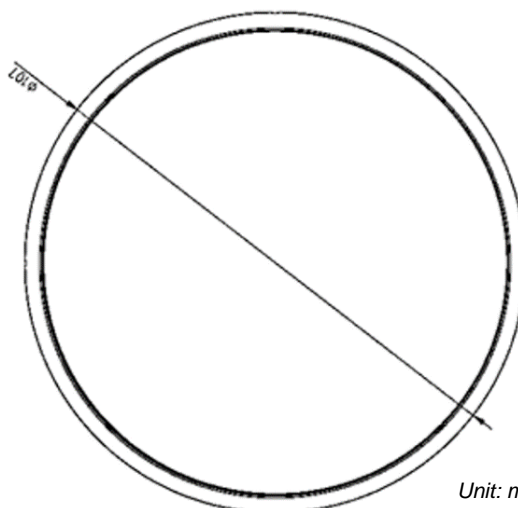
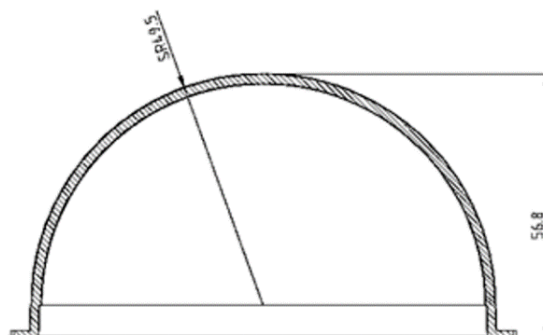
# DC30S

Dome cover, smoked, vandal proof, for FD100x, 3.9"



## Technical specifications

Material	Polycarbonate
Colour	Smoked
Dimensions (H x W x D)	58 x Ø107 mm (2.3 x Ø4.2 in)
Weight	0.15 kg (0.33 lbs)



Unit: mm

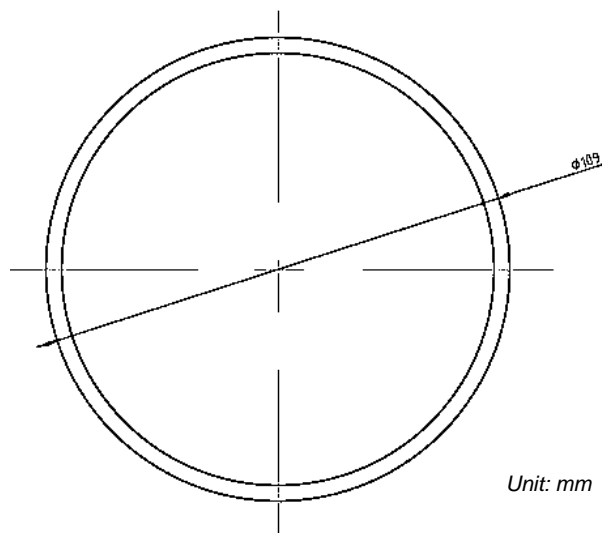
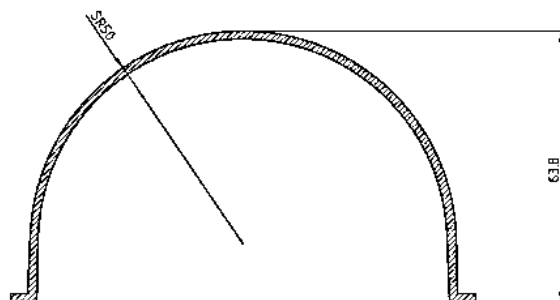
# DC31S

Dome cover, smoked, vandal proof, for the FD1103, 4.0"



## Technical specifications

Material	Polycarbonate
Colour	Smoked
Dimensions (H x W x D)	64 x Ø109 mm (2.5 x Ø4.3 in)
Weight	0.04 kg (0.09 lbs)



Unit: mm

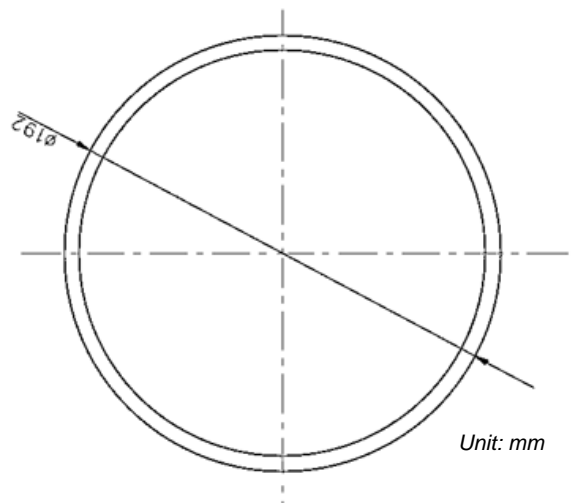
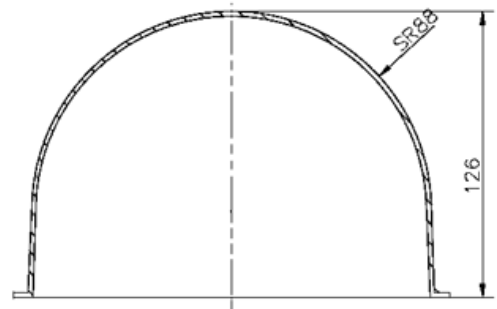
# DC32S

Dome cover, smoked, vandal proof, for the PD1103Z2-E, 7.6"



## Technical specifications

Material	Polycarbonate
Colour	Smoked
Dimensions (H x W x D)	126 x Ø192 mm (5.0 x Ø7.6 in)
Weight	0.16 kg (0.35 lbs)



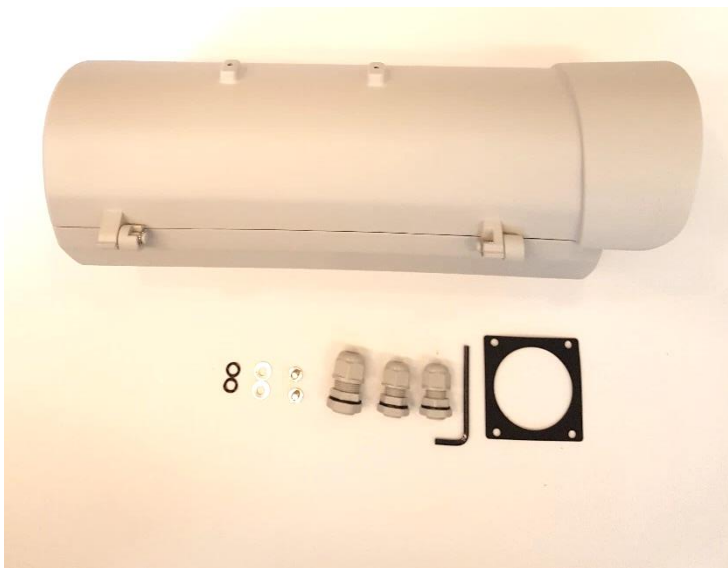
# HSG02LV

Outdoor housing for a fixed box camera, heater/blower, 90-230 V

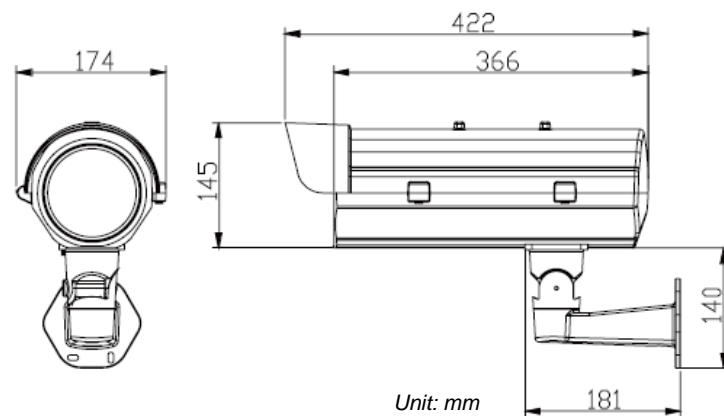


## Technical specifications

Housing	Fixed camera housing; heater/blower, IP67
Power	24 Vac, 24 Vdc, 90 - 260 Vac
Power consumption - 24 Vac, 24 Vdc	35 W (excl. camera)
Power consumption - 90 - 260 Vac	40 W (excl. camera)
Operating temperature	-30 °C to +75 °C (-22 °F to +167 °F)
Material	Aluminum
Dimensions (H x W x D)	145 x 174 x 422 mm (5.7 x 6.8 x 16.6 in)
Weight	2.9 kg (6.4 lbs)



Box content



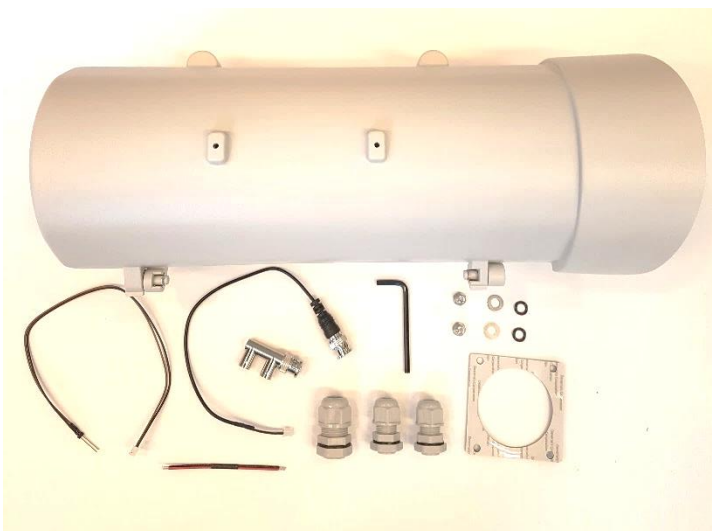
# HSG03LV

Outdoor housing for a fixed box camera, IR illuminator, heater/blower, 90-230 V

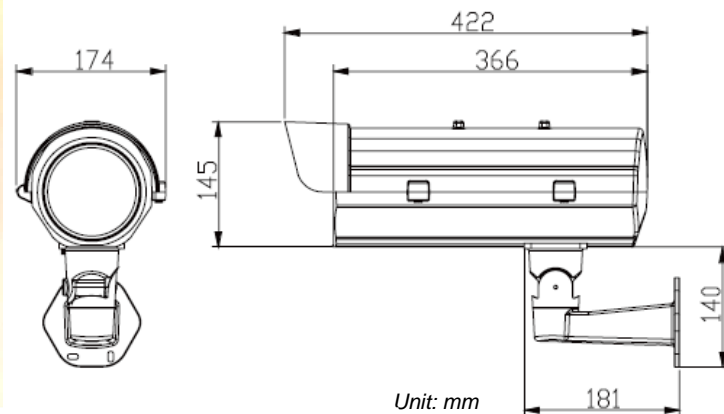


## Technical specifications

Housing	Fixed camera housing; IR illuminator; heater/blower; IP67
Power	24 Vac, 24 Vdc, 90 - 260 Vac
Power consumption - 24 Vac, 24 Vdc	35 W (excl. camera)
Power consumption - 90 - 260 Vac	40 W (excl. camera)
Operating temperature	-30 °C to +50 °C (-22 °F to +122 °F)
Material	Aluminum
Dimensions (H x W x D)	145 x 174 x 422 mm (5.7 x 6.8 x 16.6 in)
Weight	3.1 kg (6.8 lb)



Box content



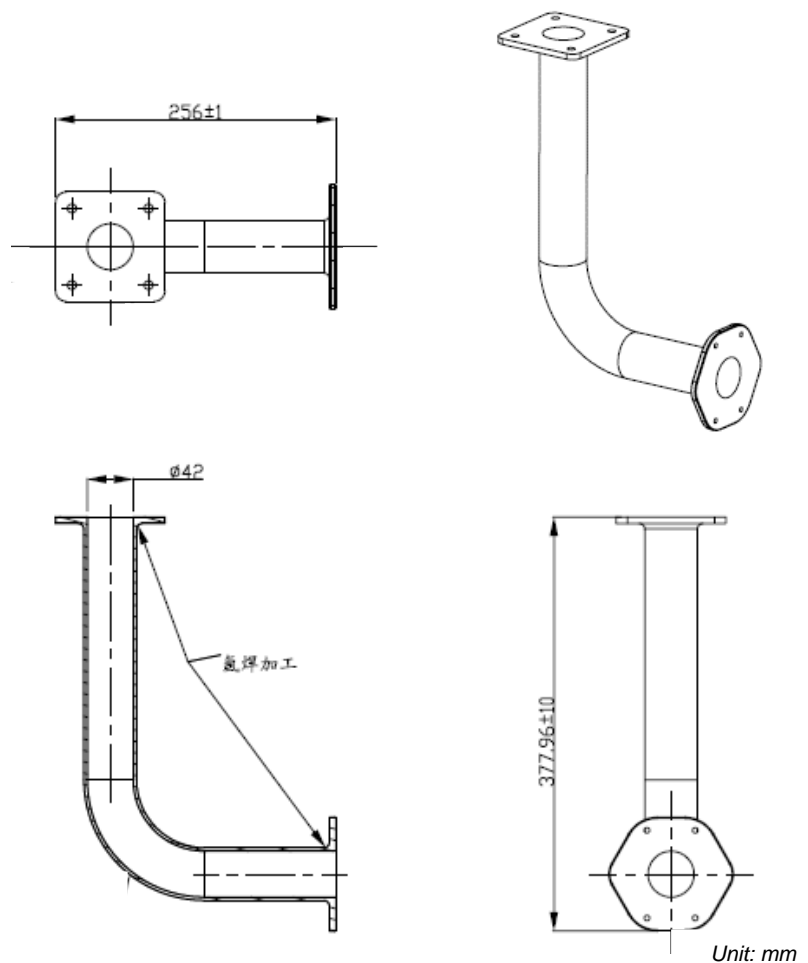
# HSG/CEILING

Ceiling mount, fixed camera housing



## Technical specifications

Material	Aluminum
Colour	RAL 9003 (signal white)
Dimensions (H x W x D)	359 x 437 mm (14.1 x 17.2 in)
Weight	2.5 kg (5.51 lbs)



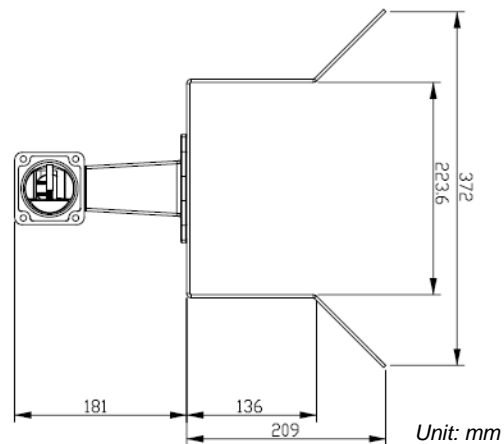
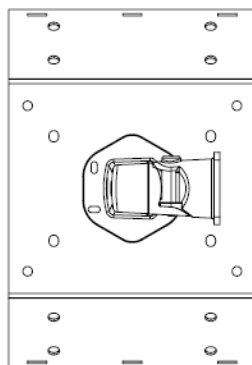
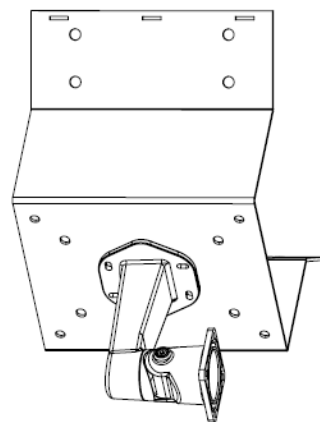
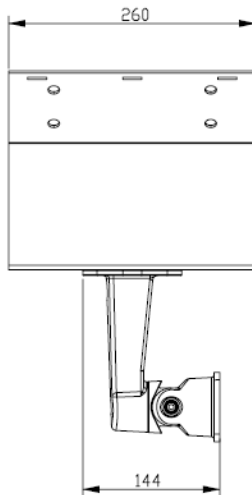
# HSG/CORNER

Corner mount, fixed camera housing



## Technical specifications

Material	Aluminum
Colour	RAL 9003 (signal white)
Dimensions (H x W x D)	377 x 260 x 179 mm (14.84 x 10.24 x 7.05 in)
Weight	1.0 kg (2.2 lbs)



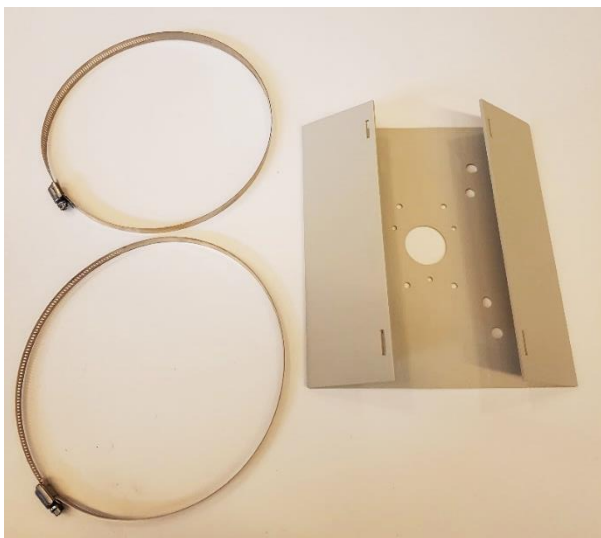
# HSG/POLE

Pole mount, fixed camera housing

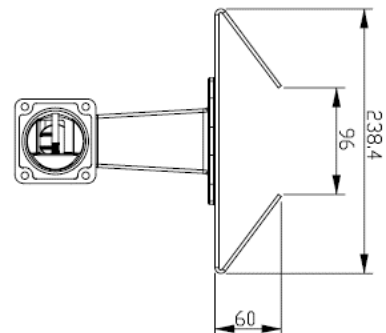
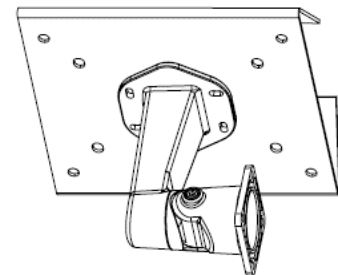
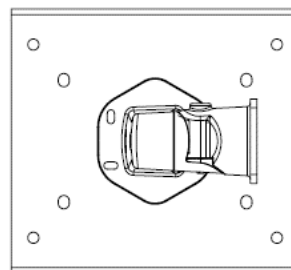
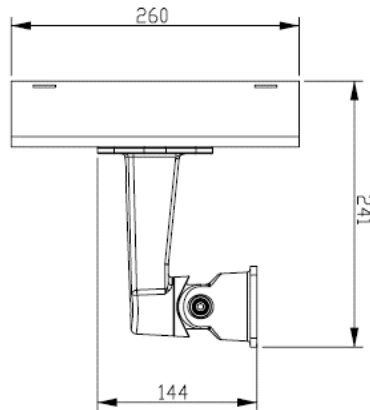


## Technical specifications

Material	Aluminum
Colour	RAL 9003 (signal white)
Dimensions (H x W x D)	240 x 260 x 60 mm (9.45 x 10.24 x 2.35 in)
Weight	1.0 kg (2.2 lbs)



Box content



Unit: mm



# HSG/SUN

Sun shield, fixed camera housing



## Technical specifications

Material	Aluminum
Colour	RAL 9003 (signal white)
Dimensions (H x W x D)	425 x 181 x 73 mm (16.73 x 7.11 x 2.87 in)
Weight	380 g (0.84 lbs)



*Box content*

# HSG/WALL

Wall mount, fixed camera housing

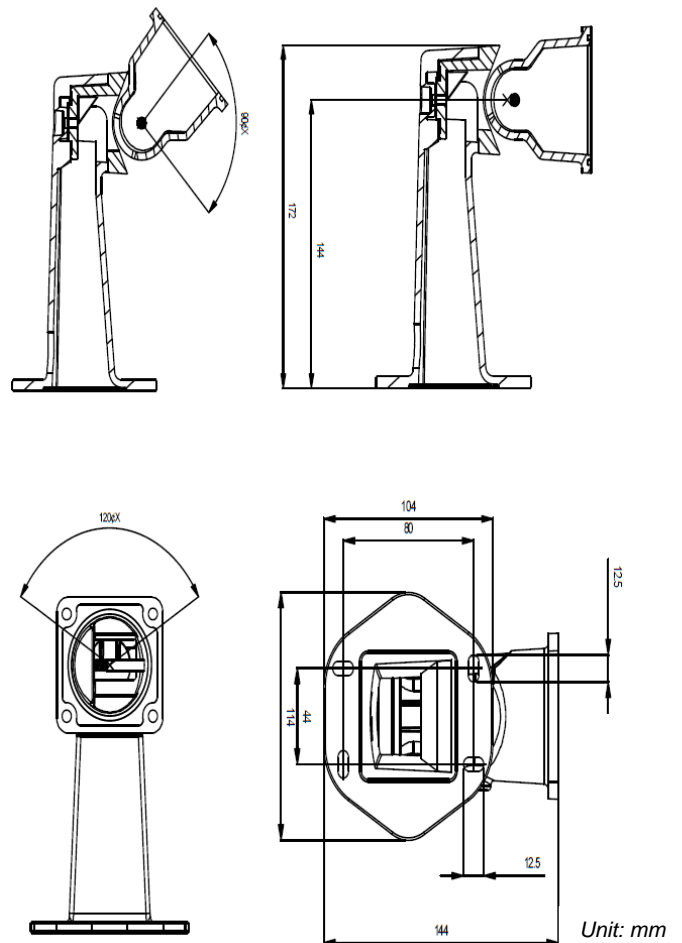


## Technical specifications

Material	Aluminum
Colour	RAL 9003 (signal white)
Dimensions (H x W x D)	181 x 140 x 114 mm (7.1 x 5.5 x 4.5 in)
Weight	0.6 kg (1.32 lbs)



Box content



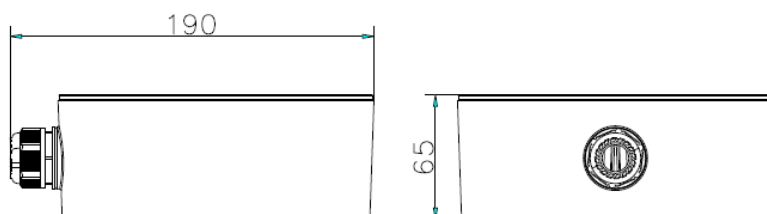
# JB01

Junction box for the FD1103M1-EI

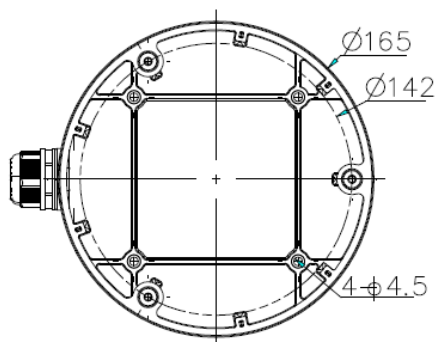


## Technical specifications

Material	Aluminum alloy
Colour	RAL 9003 (signal white)
Dimensions (H x W x D)	65 x Ø165 mm (2.56 x Ø6.50 in)
Weight	0.5 kg (1.0 lbs)



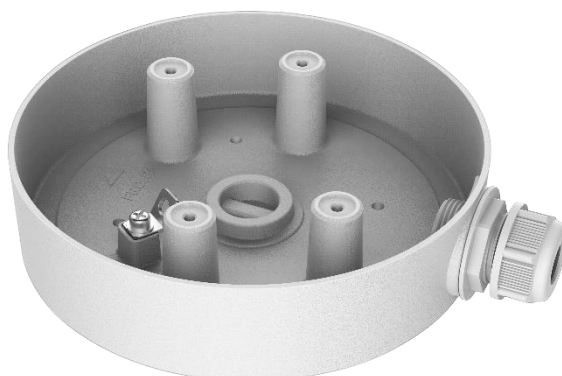
Box content



Unit: mm

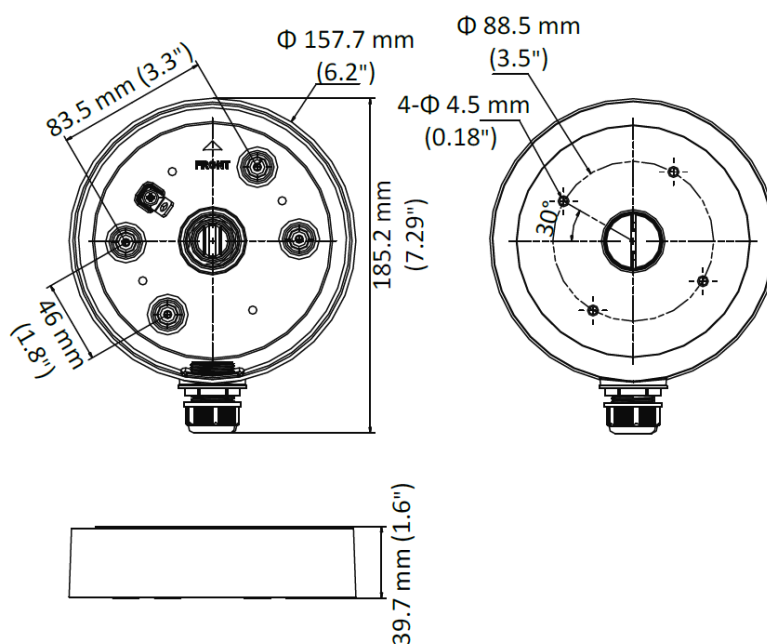
# JB02

Junction box for PD1022Z3-EI and PD1022



## Technical specifications

Material	Aluminum alloy
Colour	RAL 9003 (signal white)
Dimensions (H x W x D)	Ø158 x 40 mm (Ø6.2 x 1.6 in)
Weight	0.45 kg (1.0 lbs)



# JB05

Junction box for the FD1103M1-I and FD1004M1-EI

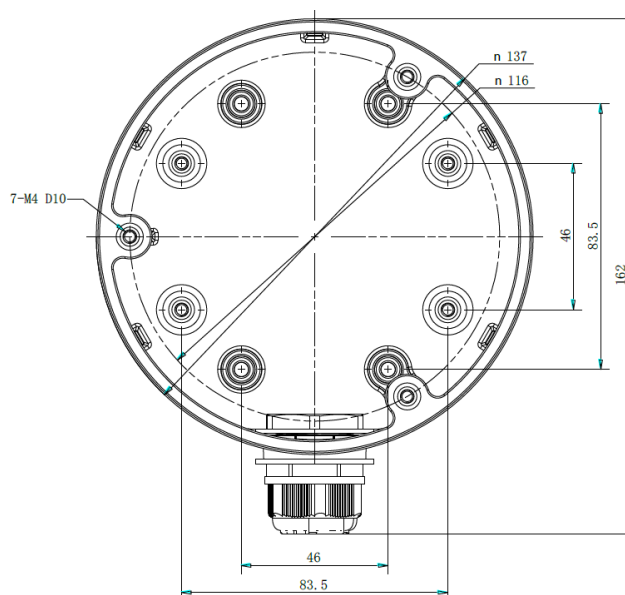


## Technical specifications

Material	Aluminum alloy
Colour	RAL 9003 (signal white)
Dimensions (H x W x D)	42 x Ø137 mm (1.65 x Ø5.39 in)
Weight	0.3 kg (0.6 lbs)



Box content



Unit: mm

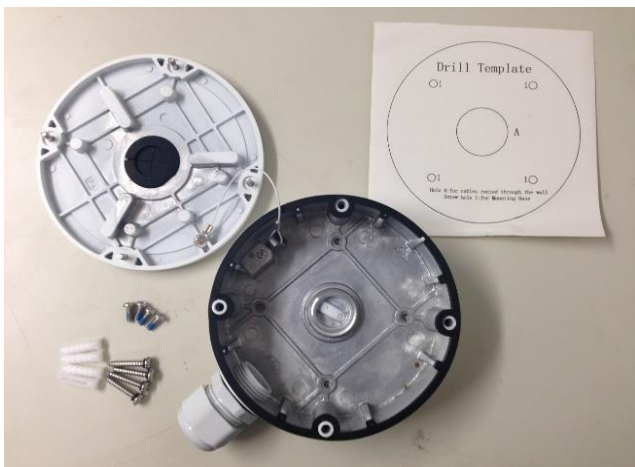
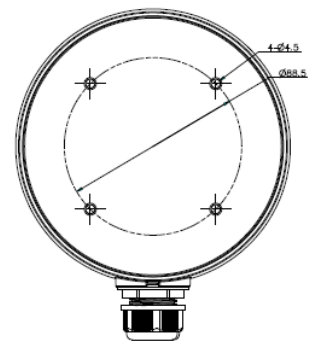
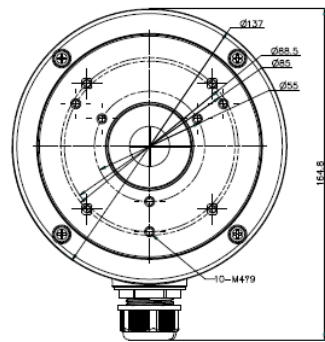
# JB06

Junction box for the BL1004F4-EI and BL2002F4-EI

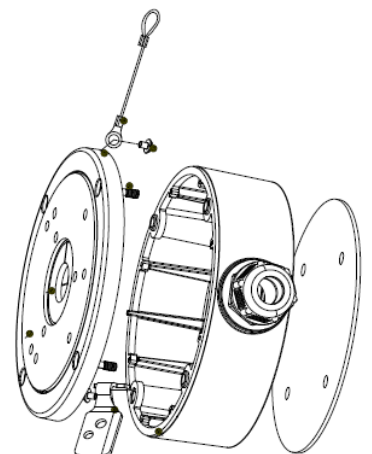
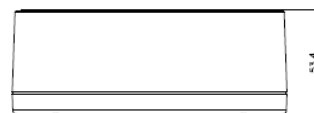


## Technical specifications

Material	Aluminum alloy
Colour	RAL 9003 (signal white)
Dimensions (H x W x D)	53 x Ø137 mm (2.1 x Ø5.39 in)
Weight	0.527 kg (1.16 lbs)



Box content



Unit: mm

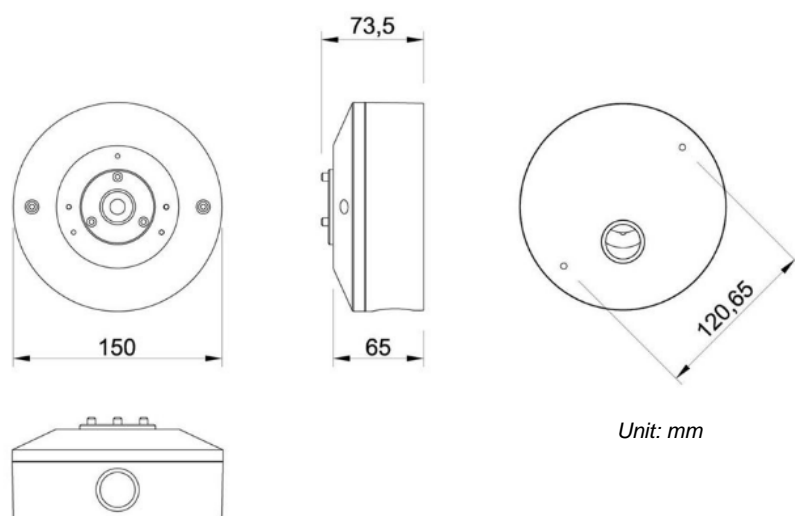
# JB07 / BL

Junction box for the BL8xx and BL980



## Technical specifications

Material	Aluminum alloy
Colour	RAL 9003 (signal white)
Dimensions (H x W x D)	Ø150 x 65 mm (Ø5.9 x 2.6 in)
Weight	0.67 kg (1.5 lbs)



# PM01

Bracket, pole mount, thin



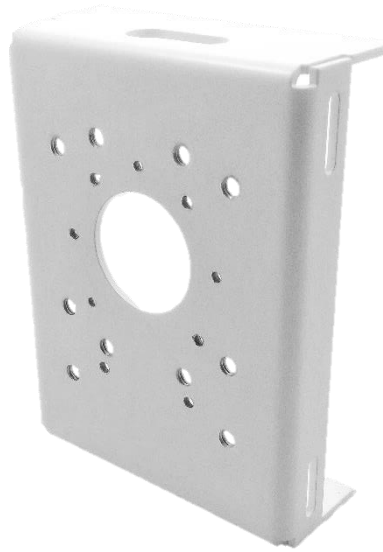
## Technical specifications

Material	Steel
Colour	RAL 9003 (signal white)
Dimensions (H x W x D)	232 x 136 x 60 mm (9.1 x 5.4 x 2.4 in)
Diameter	112 – 130 mm (4.4 – 5 in)
Weight	0.7 kg (1.6 lbs)



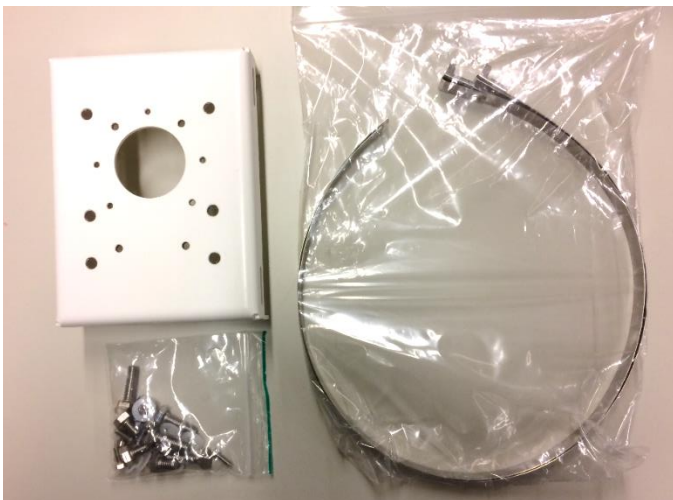
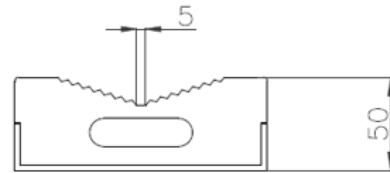
# PM01 SAE304

Bracket, Pole Mount, Stainless Steel 304

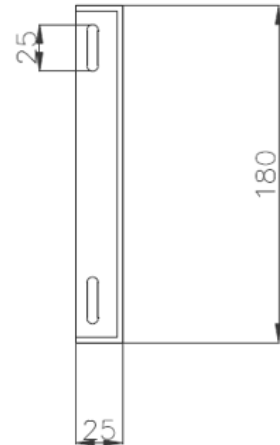
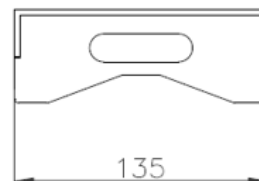


## Technical specifications

Material	Stainless steel
Colour	RAL 9003 (signal white)
Dimensions (H x W x D)	180 x 135 x 50 mm (7.1 x 5.3 x 2.0 in)
Diameter	100 – 200 mm (3.9 – 7.9 in)
Weight	2.9 kg (6.4 lbs)



Box content



Unit: mm

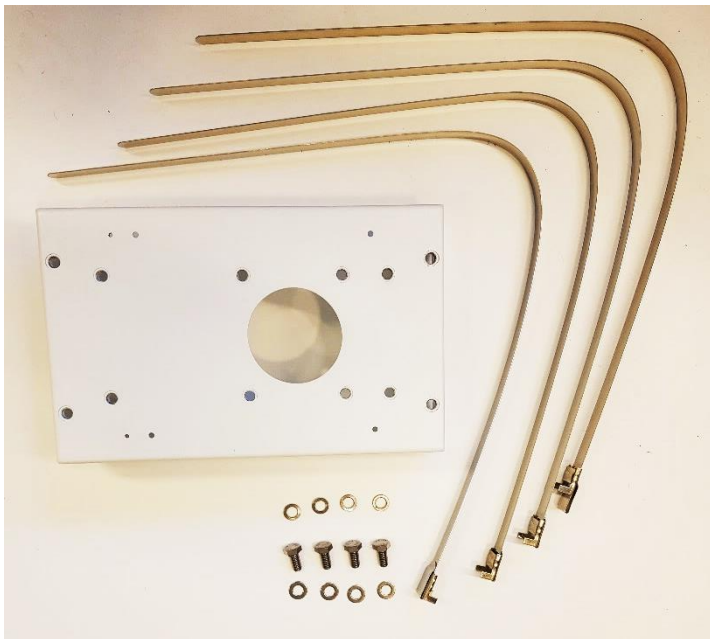
# PM02

Bracket, pole mount, wide

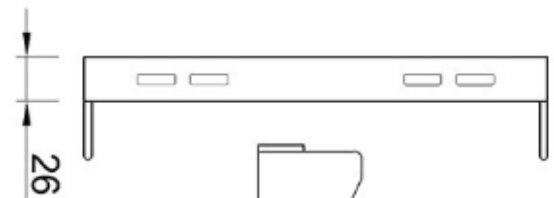
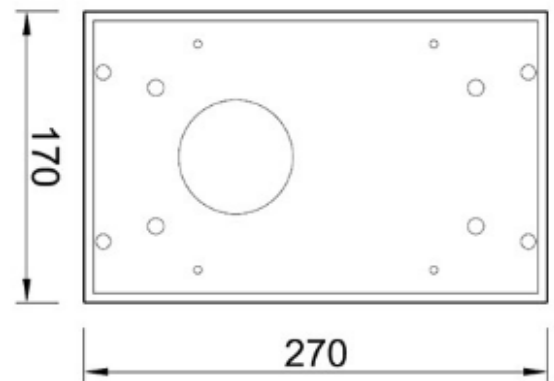


## Technical specifications

Material	Steel
Colour	RAL 9003 (signal white)
Dimensions (H x W x D)	270 x 170 x 60 mm (10.6 x 6.7 x 2.4 in)
Diameter	112 – 140 mm (4.4 - 5.5 in)
Weight	1 kg (2.2 lbs)



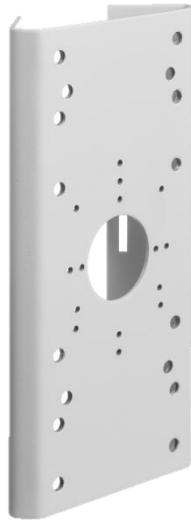
Box content



Unit: mm

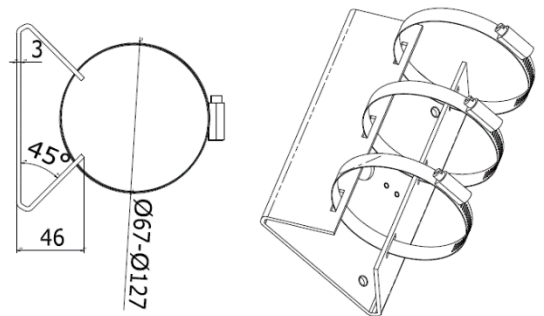
# PM06

Pole mount for the PD9x0-series and 1100-series

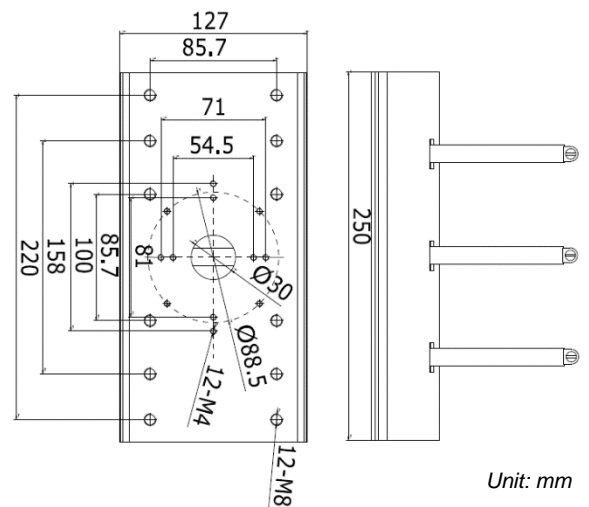


## Technical specifications

Material	Aluminum alloy & Steel
Colour	RAL 9003 (signal white)
Dimensions (H x W x D)	127 x 46 x 250 mm (5.00 x 1.81 x 9.84 in)
Diameter	Ø67 - 127 mm (Ø2.64 - 5.00 in)
Weight	1.2 kg (2.7 lbs)



Box content



Unit: mm

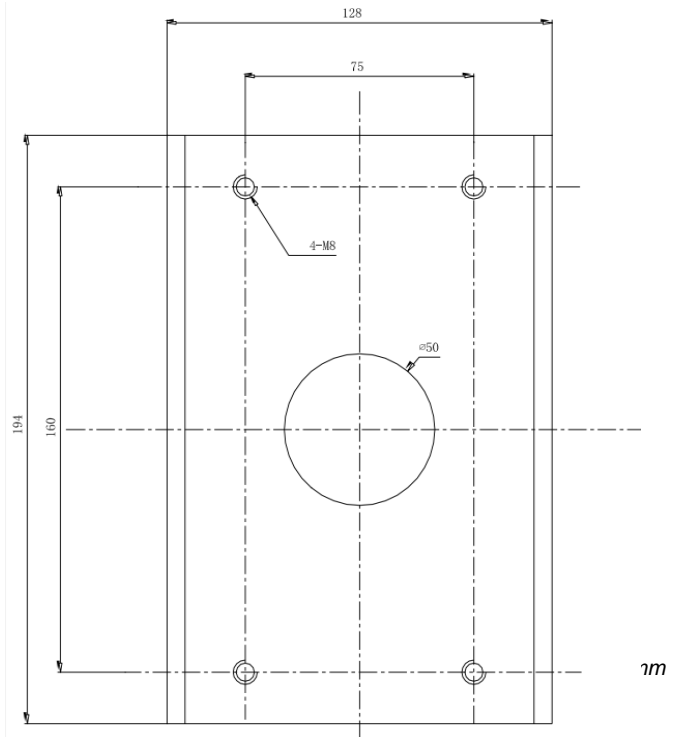
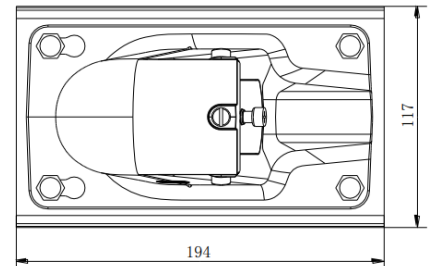
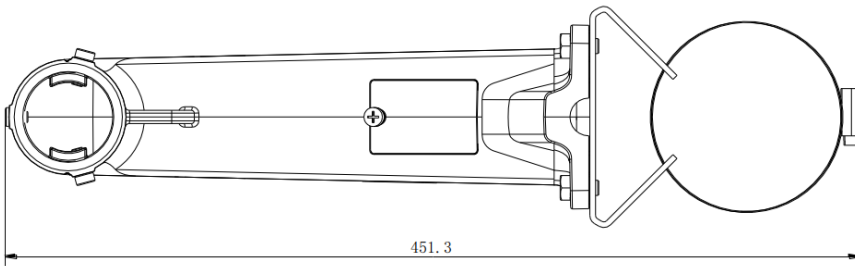
# PM07

Pole mount + wall mount for PD1100-series and PD9x0-series PTZ Dome



## Technical specifications

Material	Aluminum alloy & Steel
Colour	RAL 9003 (signal white)
Dimensions (H x W x D)	117 x 194 x 451 mm (4.61 x 7.64 x 17.76 in)
Diameter	67 - 127 mm (2.64 - 5.00 in)
Weight	2.0 kg (4.5 lbs)



Box content

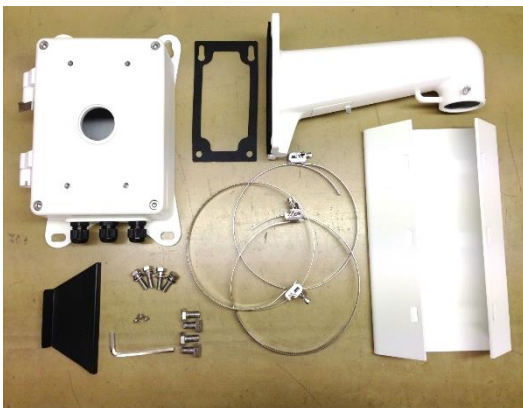
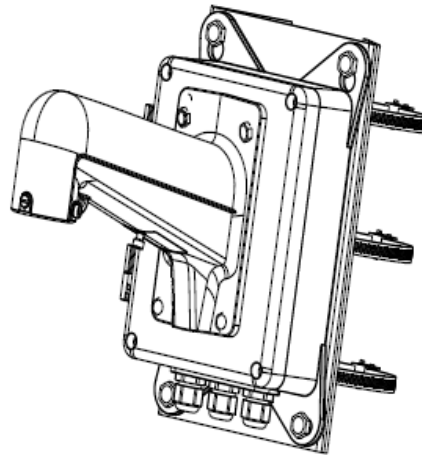
# PM07B

Pole mount + wall mount + junction box for PD1100-series and PD9x0-series

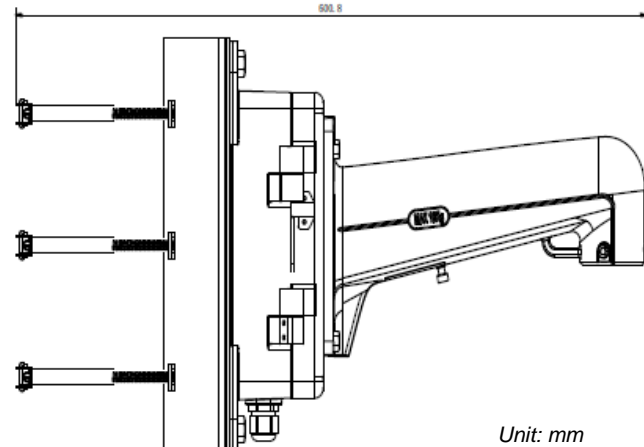
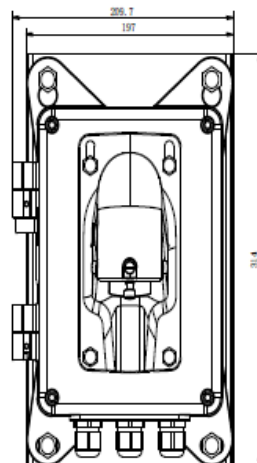


## Technical specifications

Material	Aluminum alloy & Steel
Colour	RAL 9003 (signal white)
Dimensions (H x W x D)	210 x 314 x 601 mm (8.27 x 12.36 x 23.66 in)
Diameter	100 - 200 mm (3.94 - 7.87 in)
Weight	6.8 kg (15.0 lbs)



Box content



Unit: mm

# PM08

Parapet pole mount for PD1100-series and PD9x0-series PTZ Dome

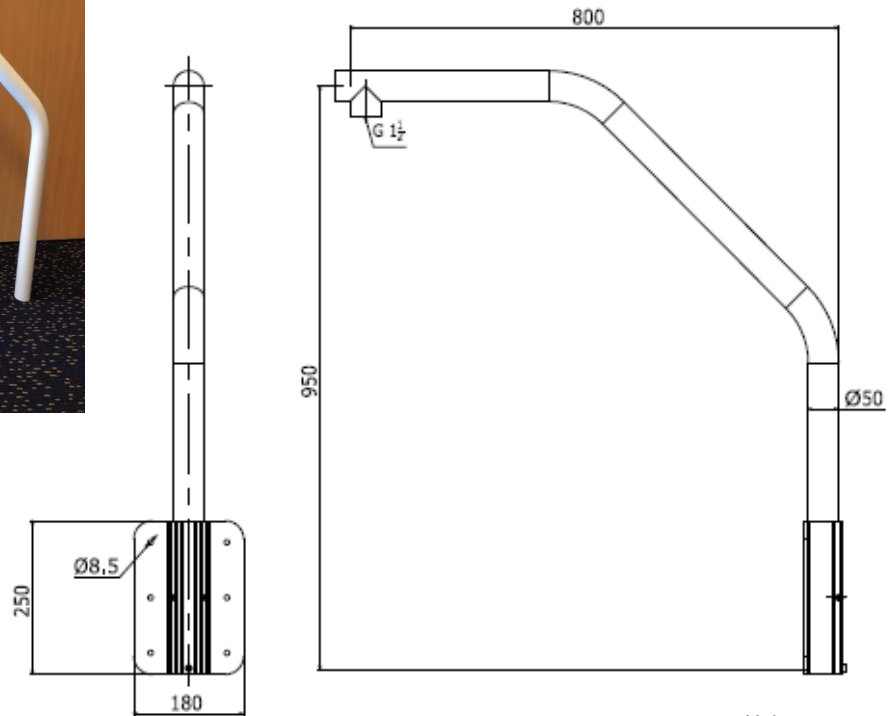


## Technical specifications

Material	Aluminum alloy
Colour	RAL 9003 (signal white)
Dimensions (H x W x D)	180 x 950 x 800 mm (7.09 x 37.40 x 31.50 in)
Weight	2.9 kg (6.4 lbs)



Box content



Unit: mm

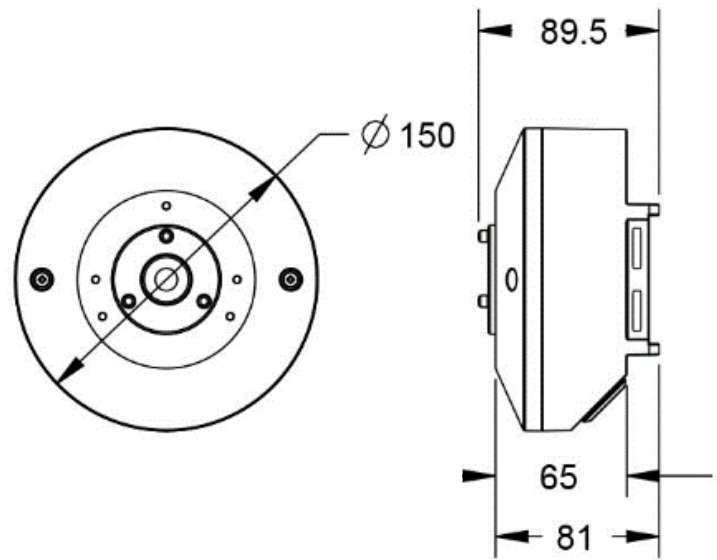
# PM09B / BL

Pole mount junction box for BL8xx and BL980



## Technical specifications

Material	Aluminum alloy
Colour	RAL 9003 (signal white)
Dimensions (H x W x D)	Ø150 x 81 mm (Ø5.9 x 3.2 in)
Weight	0.73 kg (1.6 lbs)



Unit: mm

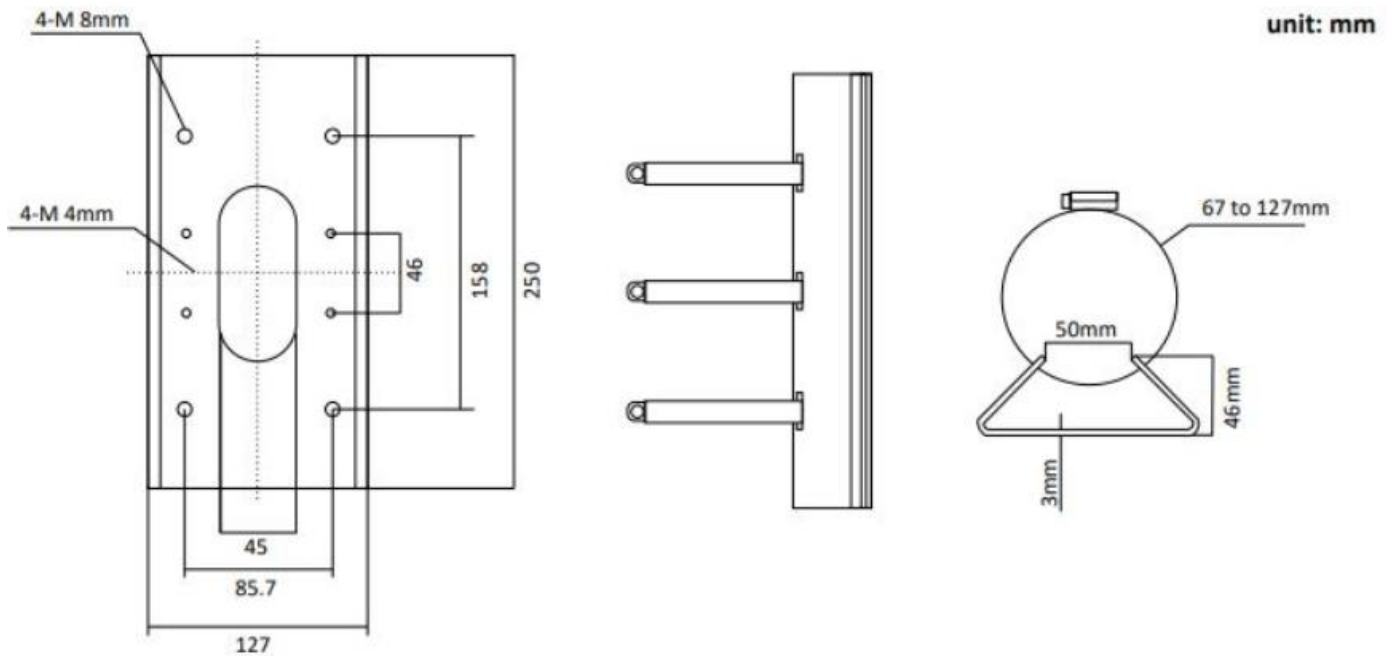
# PM10

Pole mount for BL/FD-2002 and BL/FD-2005 series cameras



## Technical specifications

Material	Stainless steel
Colour	RAL 9003 (signal white)
Dimensions (H x W x D)	127 x 46 x 250mm
Weight	1205g





# PTM01

Bracket, Adapter, G 1.5 Inch

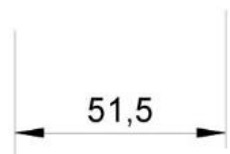
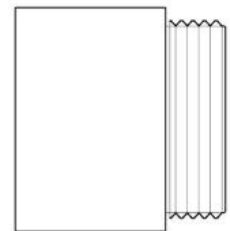
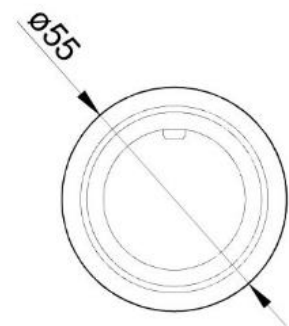


## Technical specifications

Material	Aluminum alloy
Colour	RAL 9003 (signal white)
Dimensions (H x W x D)	Ø55 x 52 mm (Ø2.2 x 2.0 in)
Weight	0.1 kg (0.22 lbs)



Box content



Unit: mm

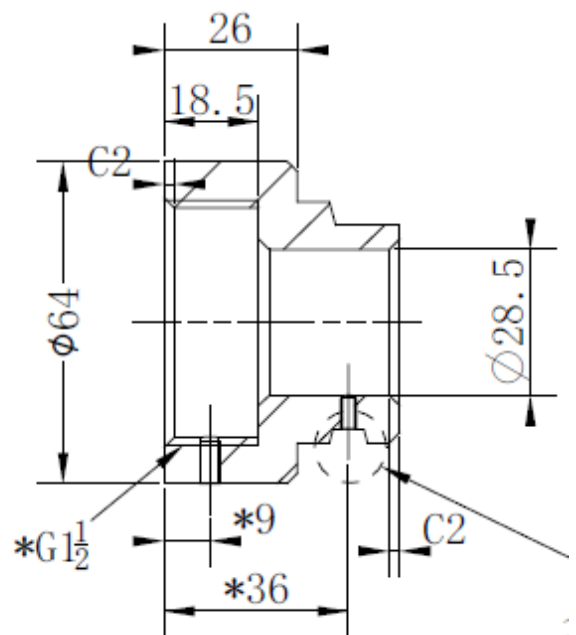
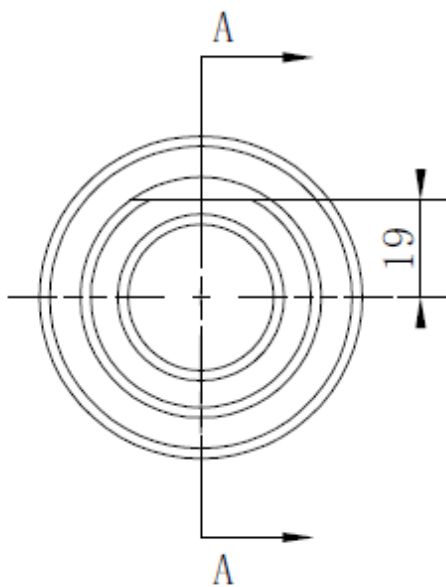
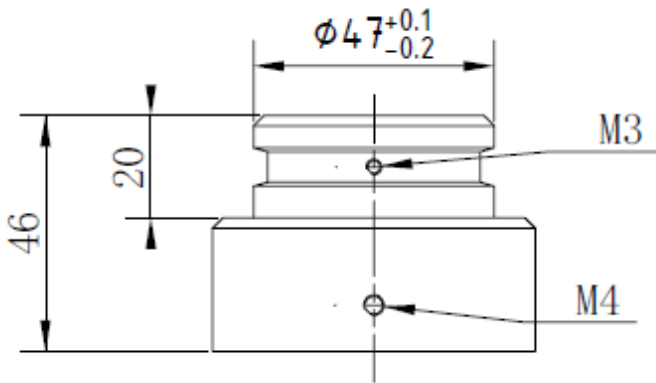
# PTM02

Threaded Adapter, G 1.5 Inch for PD9x0 series



## Technical specifications

Material	Aluminum alloy
Colour	RAL 9003 (signal white)
Dimensions (H x W x D)	Ø65 x 46 mm
Weight	0.1 kg (0.22 lbs)



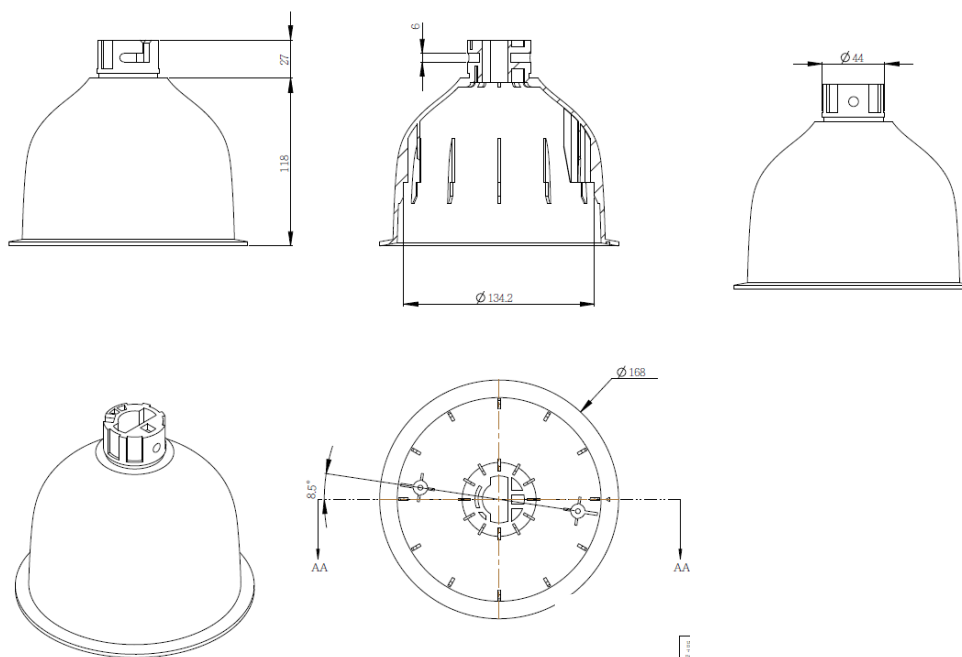
# TA01 / FD

Tube adapter/pendant mount for the FD8xx, FD910 and FD980 series



## Technical specifications

Material	Plastic
Colour	RAL 9003 (signal white)
Dimensions (H x W x D)	145 x Ø167 mm (5.7 x Ø6.6 in)
Weight	0.22 kg (0.48 lbs)



Unit: mm

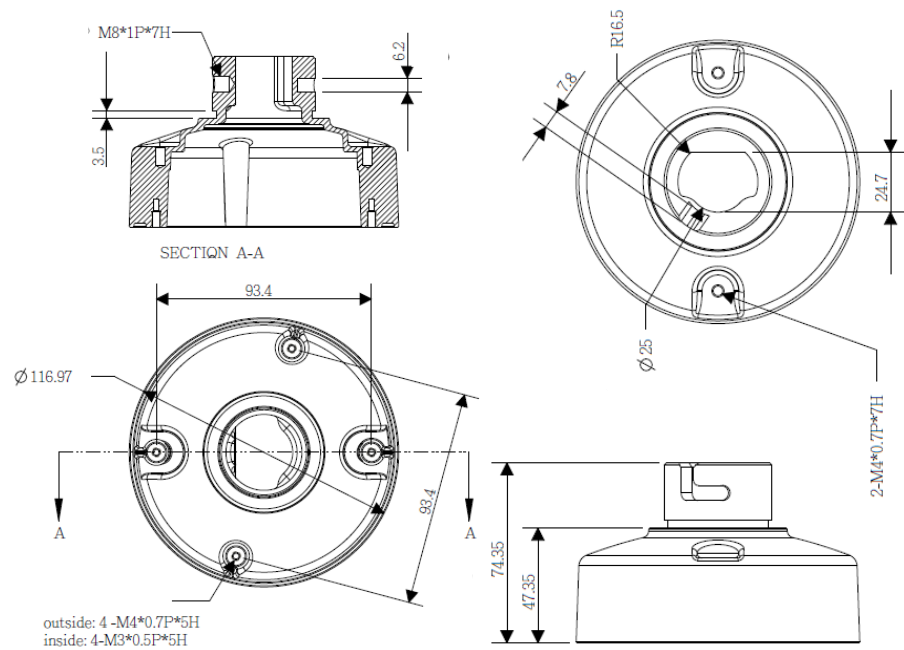
# TA02

Tube adapter for the FD360



## Technical specifications

Material	Aluminum alloy
Colour	RAL 9003 (signal white)
Dimensions (H x W x D)	Ø117 x 63 mm (Ø4.6 x 2.5 in)
Weight	0.2 kg (0.44 lbs)



Unit: mm

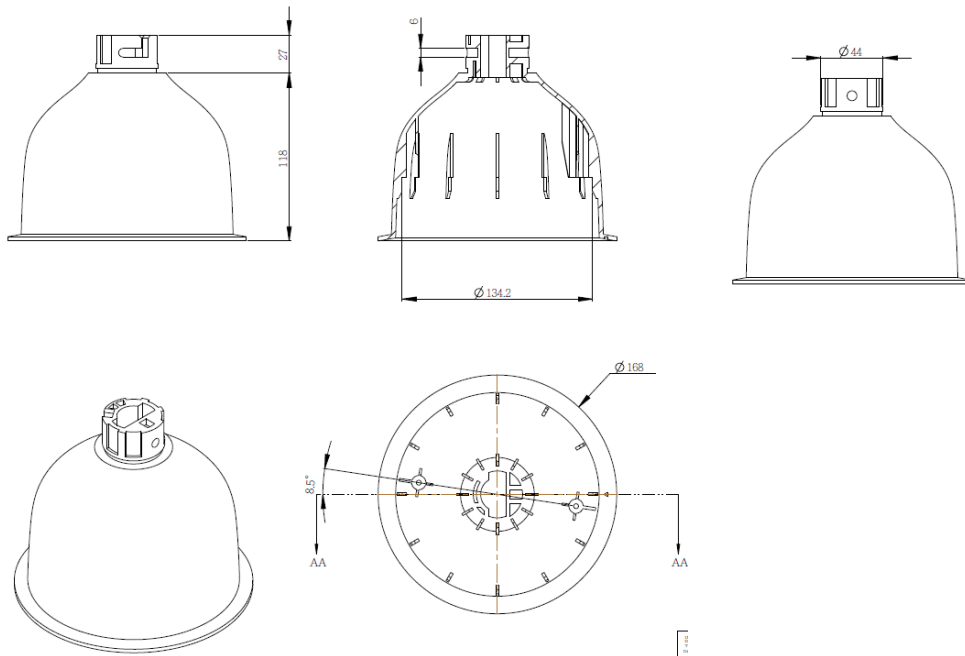
# TA03

Tube adapter for the FD360v2, FD910 and FD980



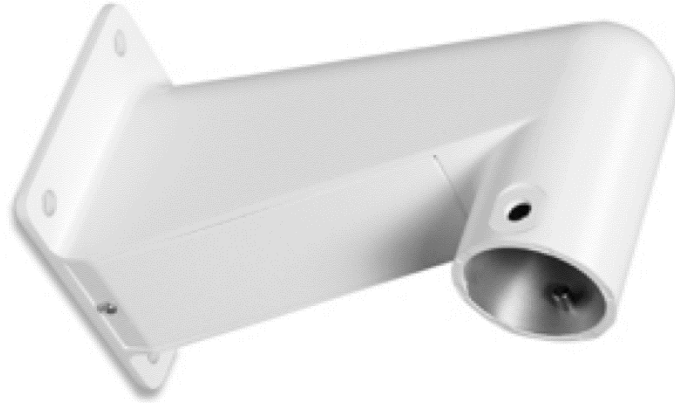
## Technical specifications

Material	Plastic
Colour	RAL 9003 (signal white)
Dimensions (H x W x D)	145 x Ø167 mm (5.7 x Ø6.6 in)
Weight	0.35 kg (0.77 lbs)



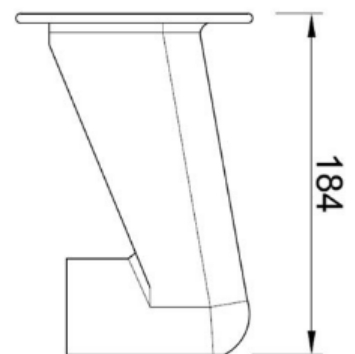
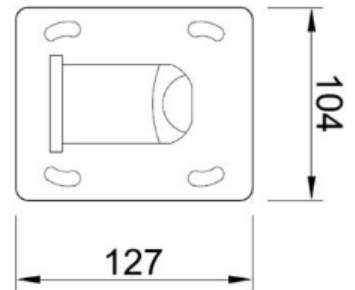
# WM01A

Bracket, Wall Mount, Short, with gasket kit



## Technical specifications

Material	Aluminum alloy
Colour	RAL 9003 (signal white)
Dimensions (H x W x D)	184 x 104 x 127 mm (7.24 x 4.09 x 5.0 in)
Weight	0.6 kg (1.3 lbs)



Unit: mm

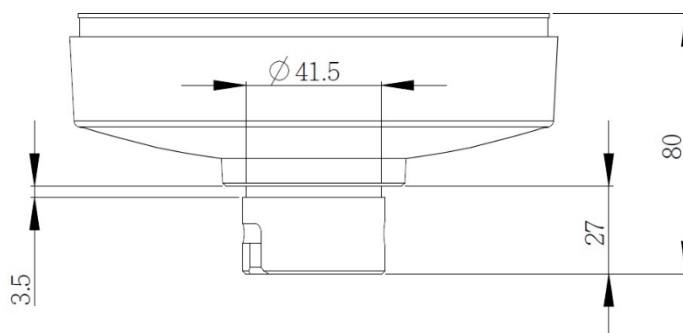
# WM02FD-SFP

Tube adapter/pendant mount for FD820 with SFP



## Technical specifications

Material	Aluminum alloy
Colour	RAL 9003 (signal white)
Dimensions (H x W x D)	
Weight	



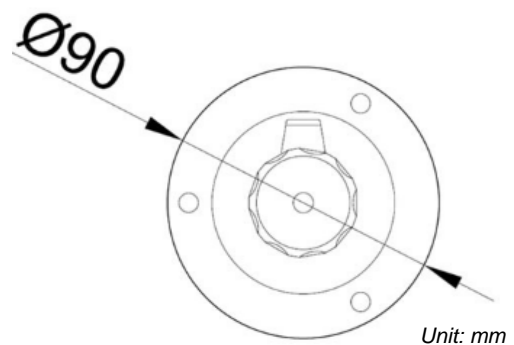
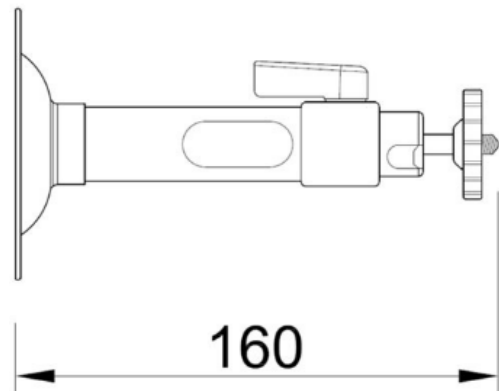
# WM04A

Wall mount, Indoor, box camera



## Technical specifications

Material	Aluminum alloy
Colour	RAL 9003 (signal white)
Dimensions (H x W x D)	Ø90 x 160 mm (Ø3.54 x 6.3 in)
Weight	0.2 kg (0.44 lbs)





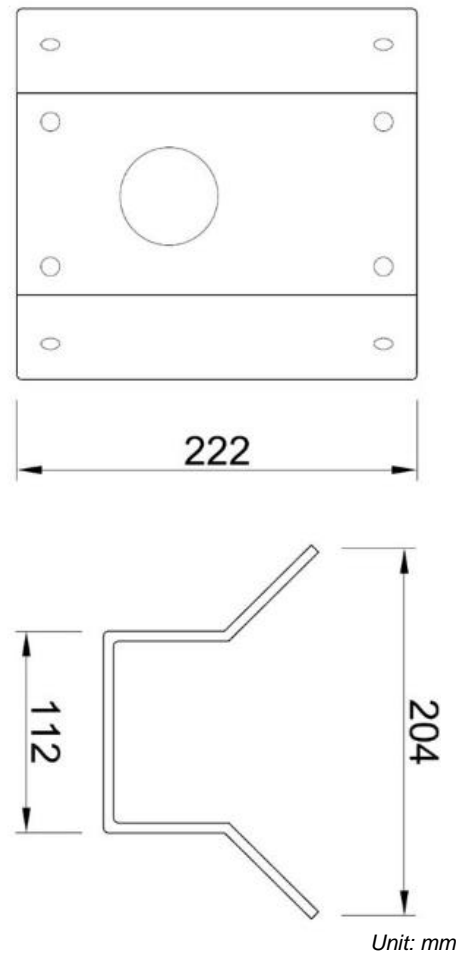
# WM05

Bracket, Wall Mount, Corner Plate



## Technical specifications

Material	Steel
Colour	RAL 9003 (signal white)
Dimensions (H x W x D)	222 x 204 x 117 mm (8.7 x 8 x 4.6 in)
Weight	2 kg (4.4 lbs)



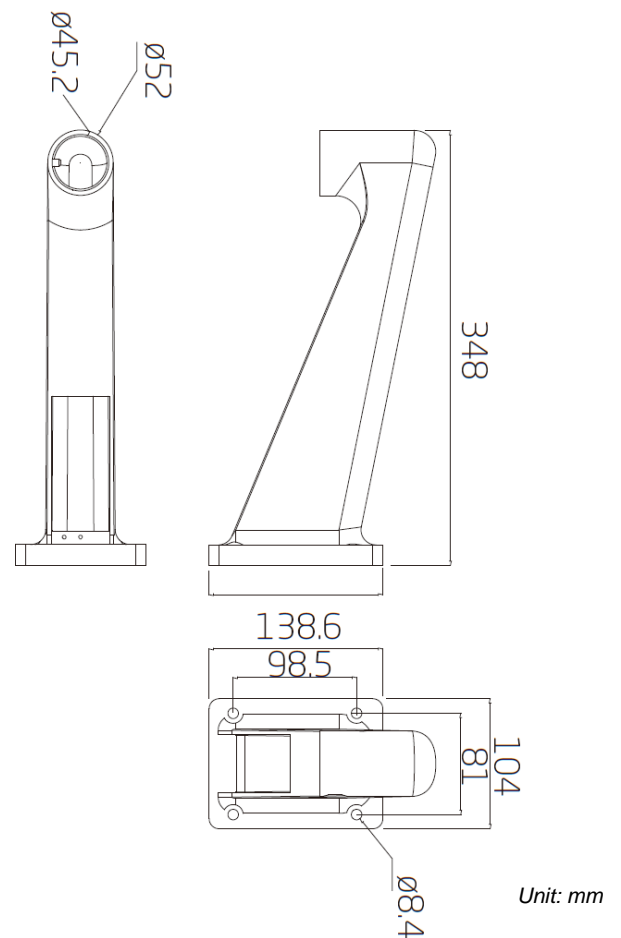
# WM07A

Bracket, Long Wall Mount, with gasket



## Technical specifications

Material	Aluminum alloy
Colour	RAL 9003 (signal white)
Dimensions (H x W x D)	348 x 104 x 139 mm (13.7 x 4.1 x 5.5 in)
Weight	1.5 kg (3.3 lbs)



# WM09

Wall mount for IFD822/FD360E

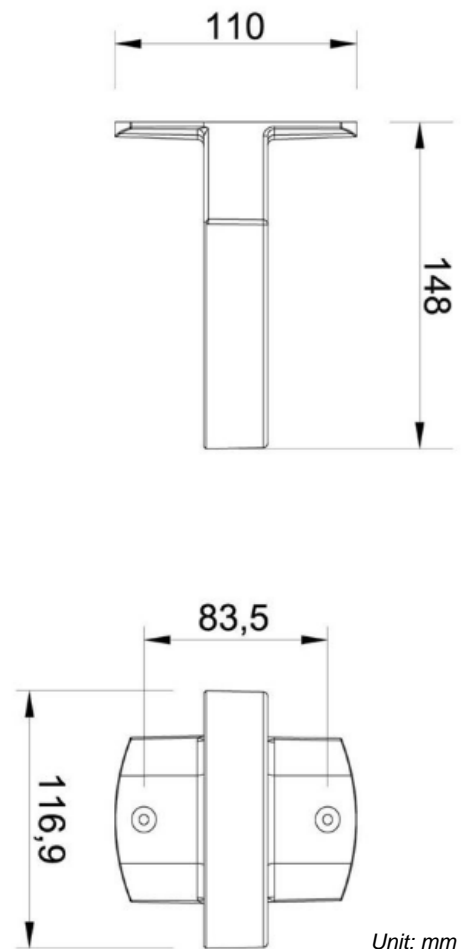


## Technical specifications

Material	Plastic
Colour	RAL 9003 (signal white)
Dimensions (H x W x D)	117 x 110 x 148 mm (4.6 x 4.3 x 5.8 in)
Weight	0.14 kg (0.3 lbs)



Box content



# WM10

Wall mount for FD1103M1-I and FD1104FR

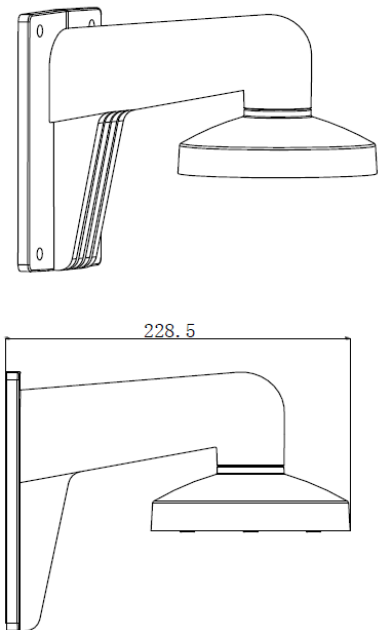
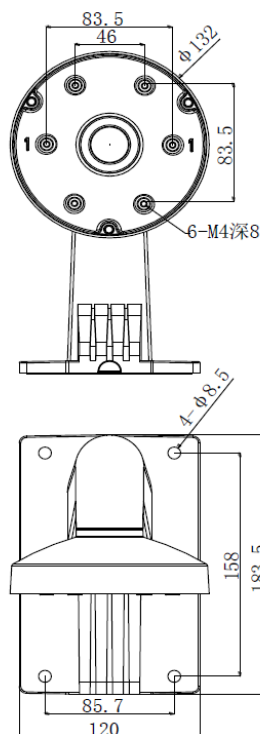


## Technical specifications

Material	Aluminum alloy
Colour	RAL 9003 (signal white)
Dimensions (H x W x D)	Ø132 x 184 x 229 mm (Ø5.20 x 7.24 x 9.02 in)
Weight	0.7 kg (1.5 lbs)



Box content



Unit: mm

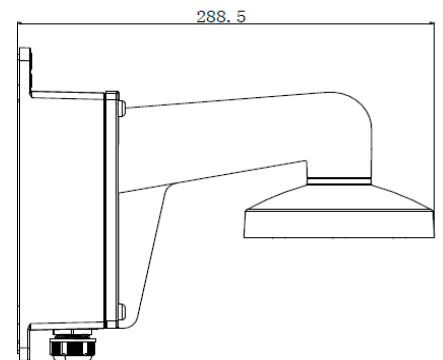
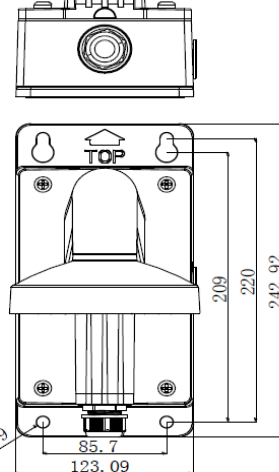
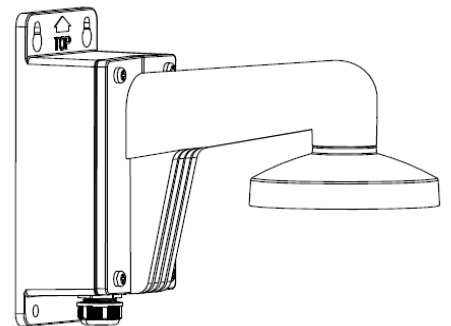
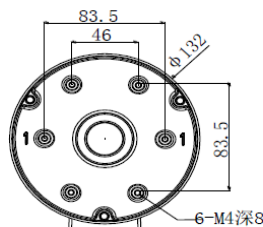
# WM10B

Wall mount + Junction box for FD1103M1-I and FD1104FR



## Technical specifications

Material	Aluminum alloy
Colour	RAL 9003 (signal white)
Dimensions (H x W x D)	Ø132 x 243 x 289 mm (Ø5.20 x 9.57 x 11.38 in)
Weight	1.5 kg (3.3 lbs)



Box content

Unit: mm

# WM11

Wall mount for FD1103M1-EI

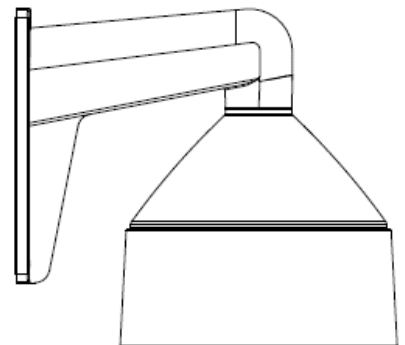
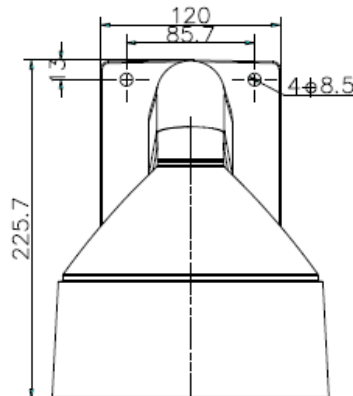
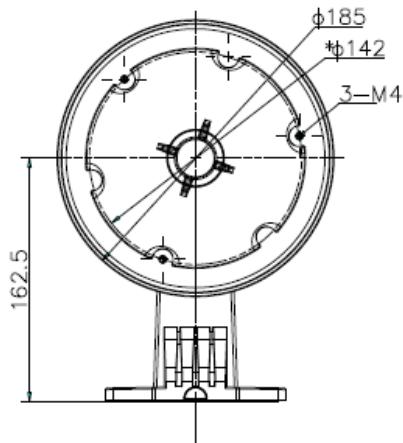


## Technical specifications

Material	Aluminum alloy
Colour	RAL 9003 (signal white)
Dimensions (H x W x D)	255 x 226 x Ø185 mm (10.04 x 8.89 x Ø7.28 in)
Weight	1.6 kg (3.4 lbs)



Box content



Unit: mm

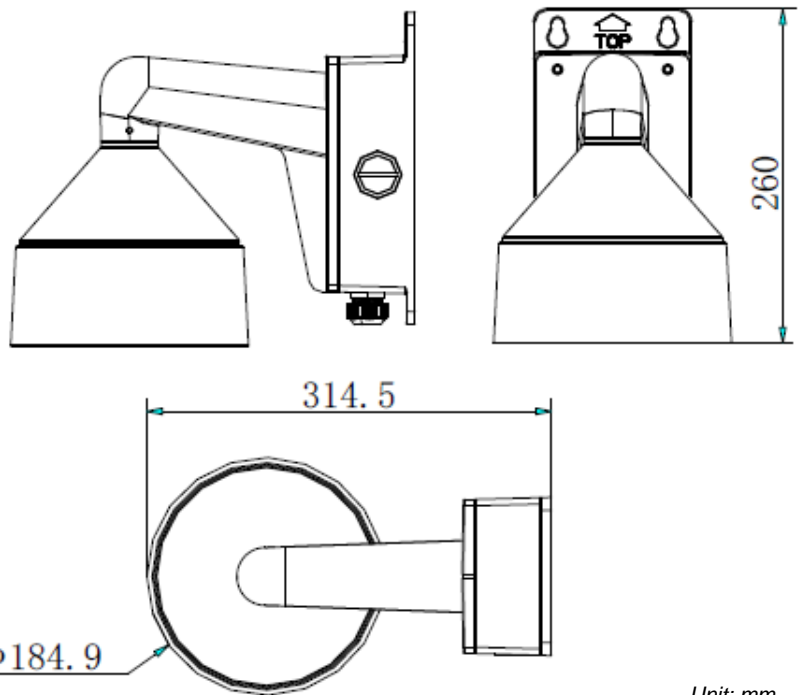
# WM11B

Wall mount + junction box for FD1103M1-EI



## Technical specifications

Material	Aluminum alloy
Colour	RAL 9003 (signal white)
Dimensions (H x W x D)	315 x 260 x Ø185 mm (12.40 x 10.24 x Ø7.28 in)
Weight	2.1 kg (4.5 lbs)



Box content

# WM12

Wall mount for PD1100-series and PD9x0-series PTZ Dome

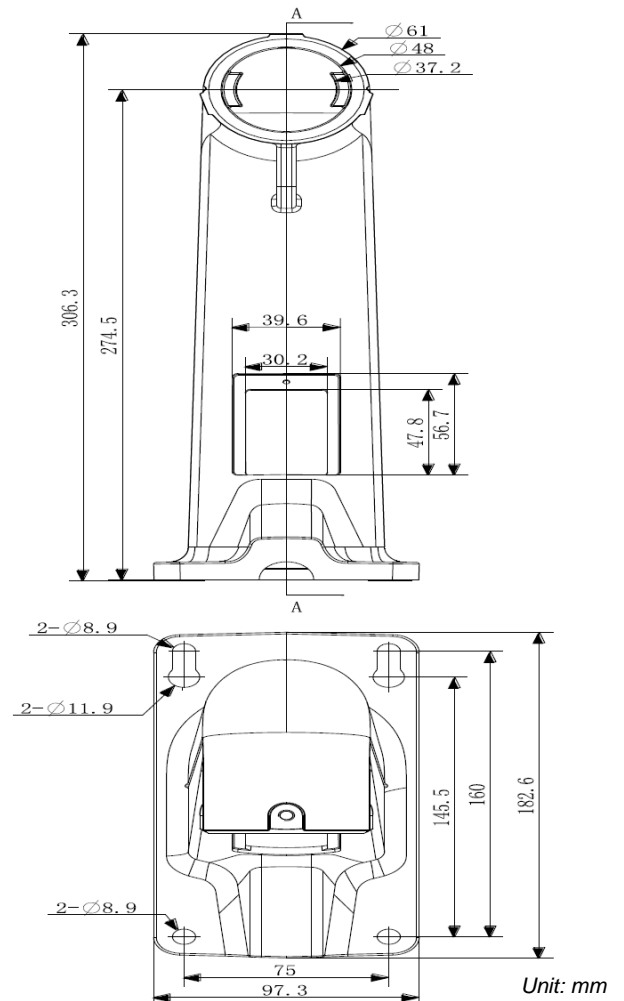


## Technical specifications

Material	Aluminum alloy
Colour	RAL 9003 (signal white)
Dimensions (H x W x D)	97 x 183 x 306 mm (3.8 x 7.2 x 12 in)
Weight	1.1 kg (2.3 lbs)



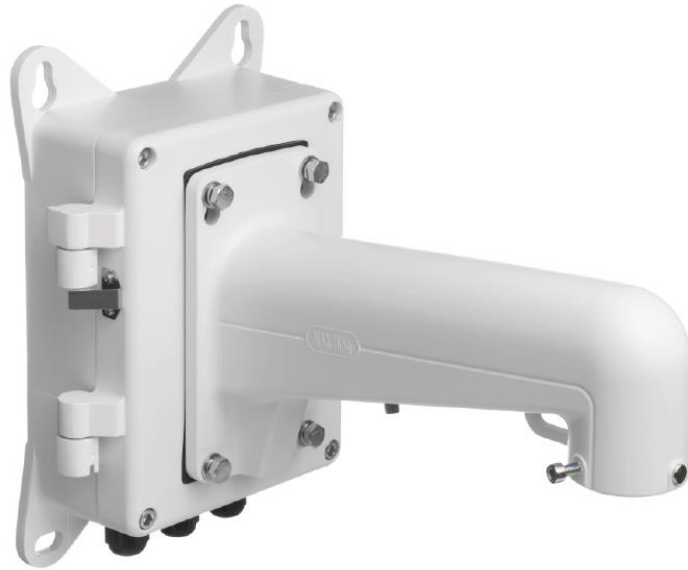
Box content





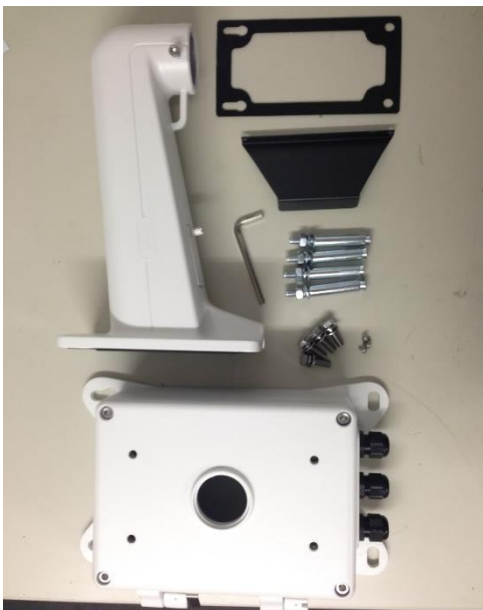
# WM12B

Wall mount + junction box for PD1100-series and PD9x0-series PTZ Dome

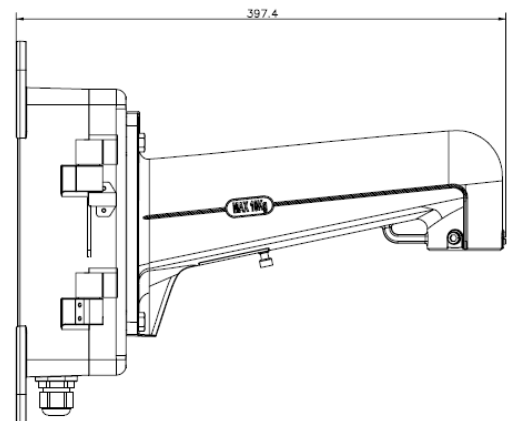
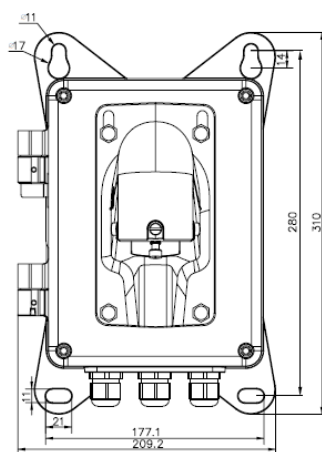


## Technical specifications

Material	Aluminum alloy
Colour	RAL 9003 (signal white)
Dimensions (H x W x D)	104 x 155 x 311 mm (4.09 x 6.10 x 12.2 in)
Weight	3.2 kg (7.1 lbs)



Box content



Unit: mm

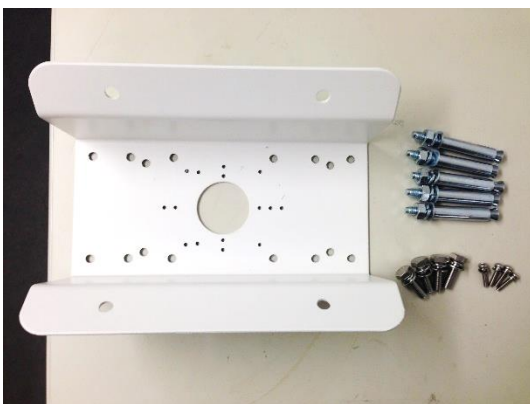
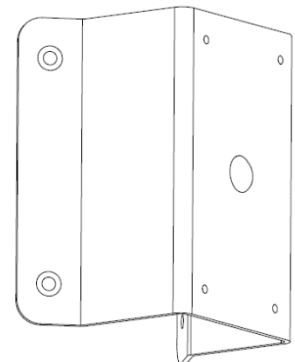
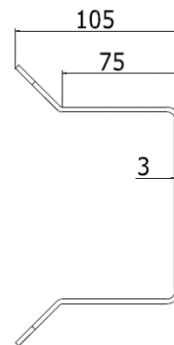
# WM14

Corner mount for 1103-series and FD1104FR

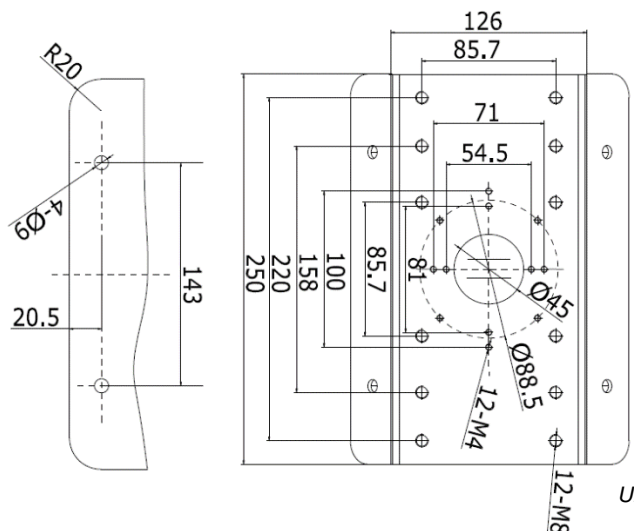


## Technical specifications

Material	Aluminum alloy
Colour	RAL 9003 (signal white)
Dimensions (H x W x D)	126 x 105 x 250 mm (4.96 x 4.13 x 9.84 in)
Weight	2.0 kg (4.3 lbs)



Box content



Unit: mm

# WM15

Wall mount for FD1000-series

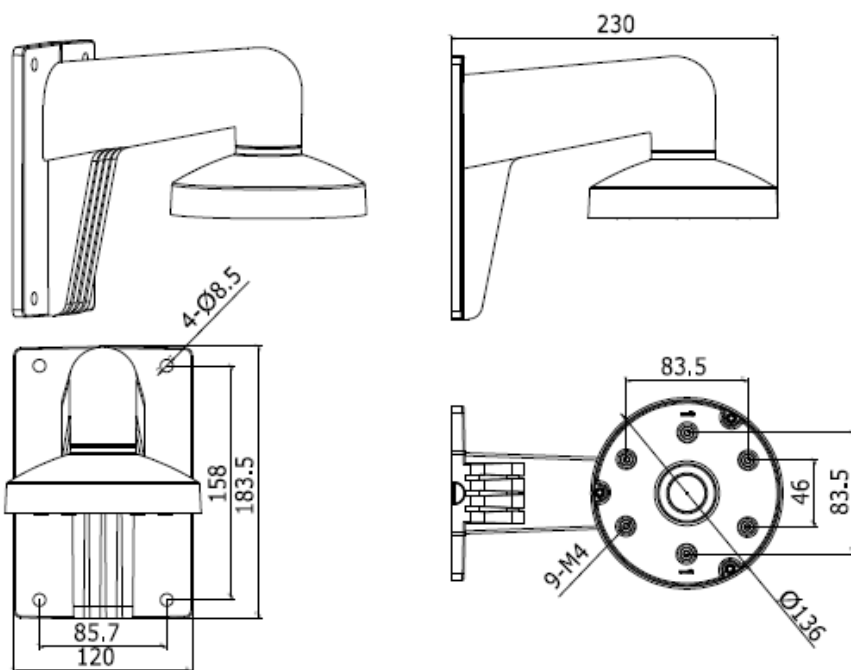


## Technical specifications

Material	Aluminum alloy
Colour	RAL 9003 (signal white)
Dimensions (H x W x D)	Ø136 x 184 x 230 mm (Ø5.35 x 7.22 x 9.1 in)
Weight	0.7 kg (1.54 lbs)



Box content



Unit: mm

# WM15B

Wall mount + junction box for FD1000-series

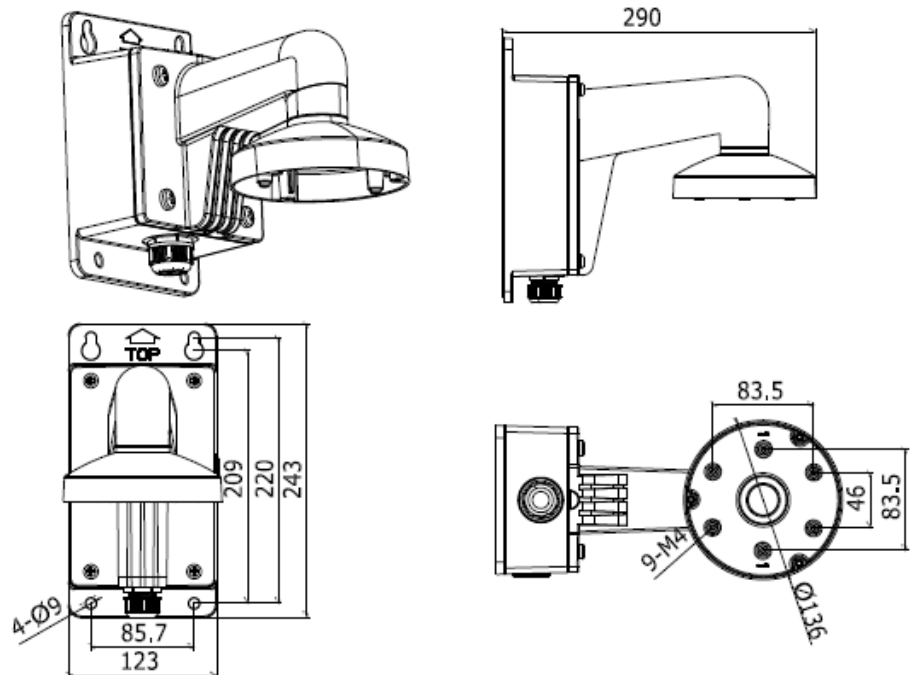


## Technical specifications

Material	Aluminum alloy
Colour	RAL 9003 (signal white)
Dimensions (H x W x D)	Ø136 x 243 x 290 mm (Ø5.35 x 9.56 x 11.4 in)
Weight	1.5 kg (3.3 lbs)



Box content



Unit: mm

# WM16

Gooseneck mount for PD1100-series and PD9x0-series PTZ Dome

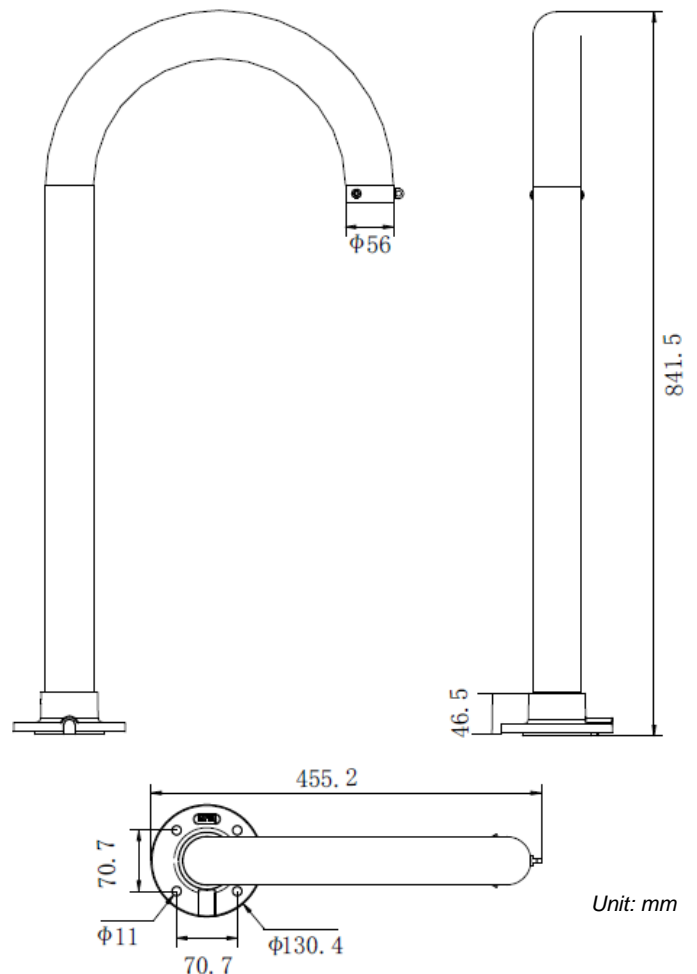


## Technical specifications

Material	Aluminum alloy & Steel
Colour	RAL 9003 (signal white)
Dimensions (H x W x D)	455 x 130 x 842 mm (17.92 x 5.13 x 33.13 in)
Weight	6.4 kg (14.2 lbs)



Box content



# WM17

Corner mount + wall mount for PD1100-series and PD9x0-series PTZ Dome

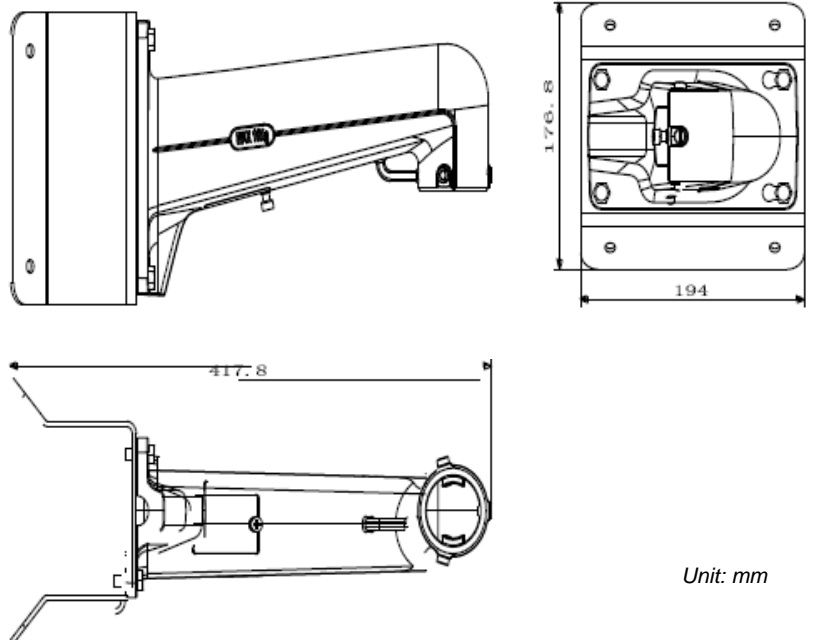


## Technical specifications

Material	Aluminum alloy & Steel
Colour	RAL 9003 (signal white)
Dimensions (H x W x D)	177 x 194 x 418 mm (6.97 x 7.64 x 16.46 in)
Weight	2.8 kg (6.2 lbs)



Box content



Unit: mm

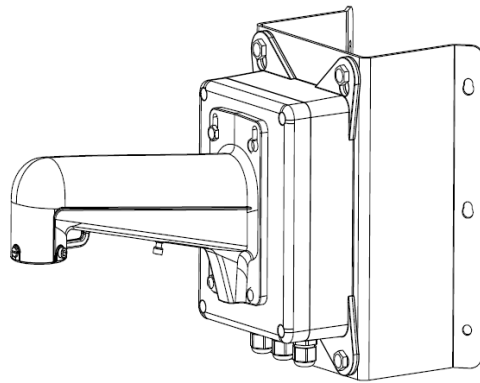
# WM17B

Corner mount + wall mount + junction box for PD1100-series and PD9x0-series PTZ Dome

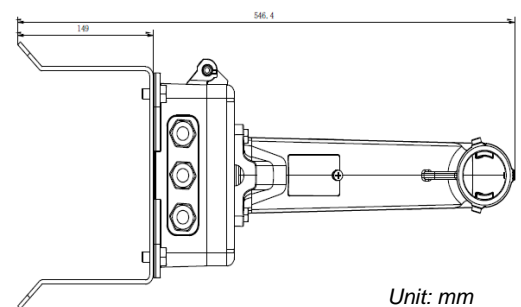
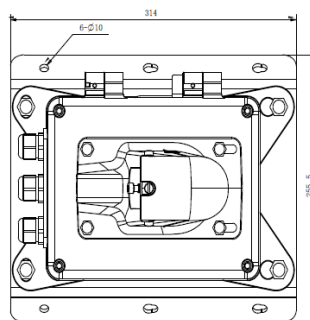


## Technical specifications

Material	Aluminum alloy & Steel
Colour	RAL 9003 (signal white)
Dimensions (H x W x D)	256 x 314 x 546 mm (10.08 x 4.49 x 21.50 in)
Weight	8.4 kg (18.5 lbs)



Box content



Unit: mm

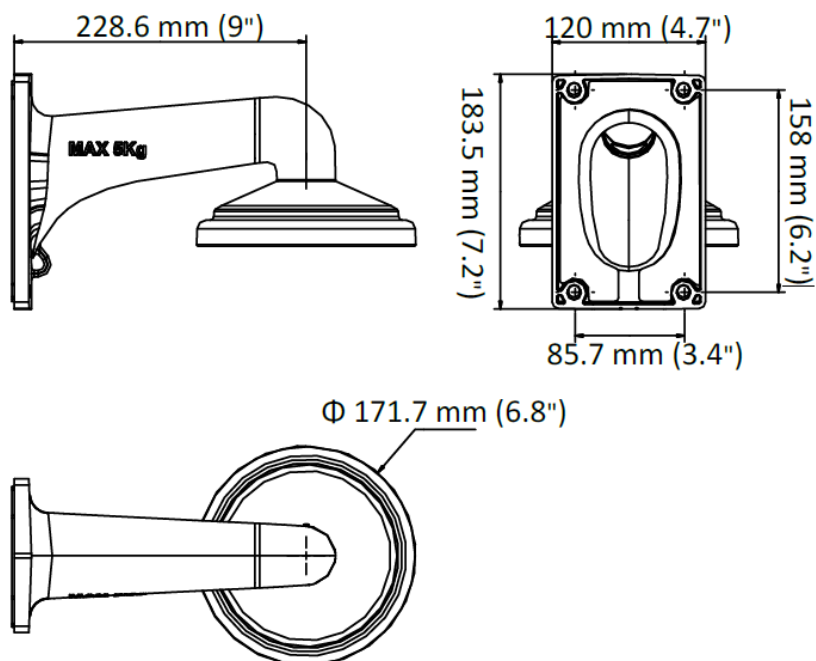
# WM18

Wall mount for PD1022Z3-EI and PD1022



## Technical specifications

Material	Aluminium alloy
Colour	RAL 9003 (signal white)
Dimensions (H x W x D)	Ø172 x 158 x 229 mm (Ø6.8 x 6.2 x 9.0 in)
Weight	1.1 kg (3.6 lbs)





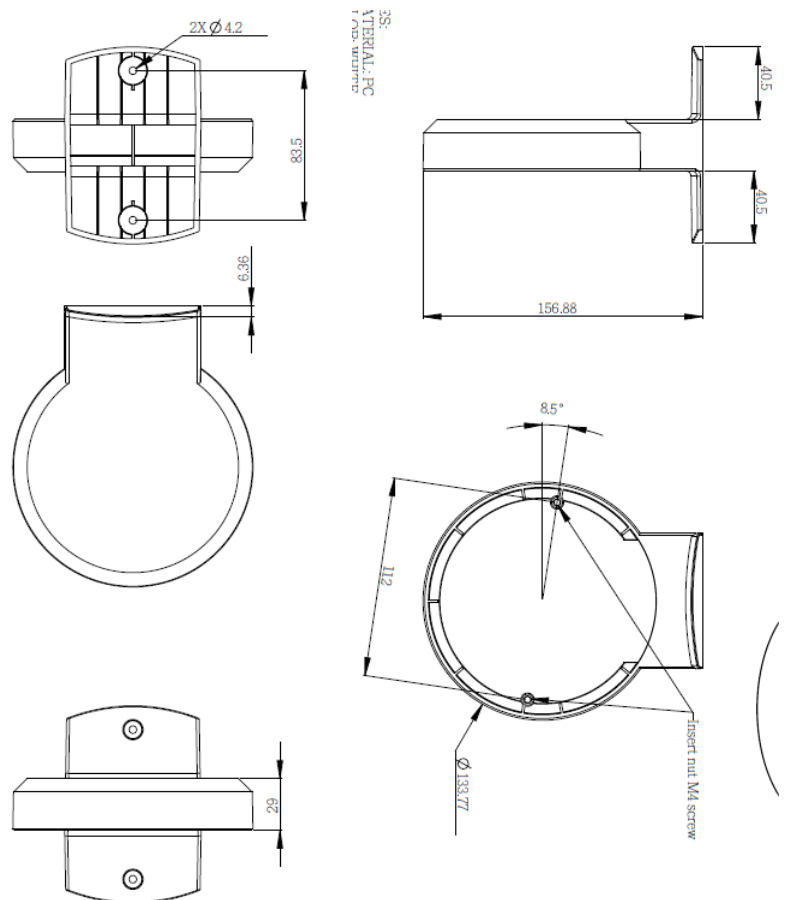
# WM19 / FD

Wall mount for FD8xx, FD910 and FD980 series



## Technical specifications

Material	Plastic
Colour	RAL 9003 (signal white)
Dimensions (H x W x D)	110 x 157 x Ø134 mm (4.3 x 6.2 x Ø5.3 in)
Weight	



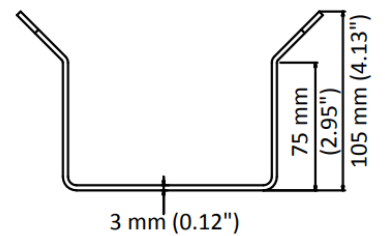
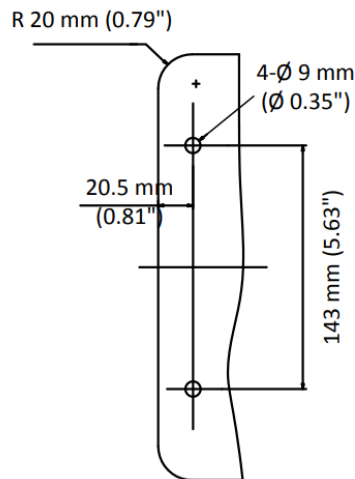
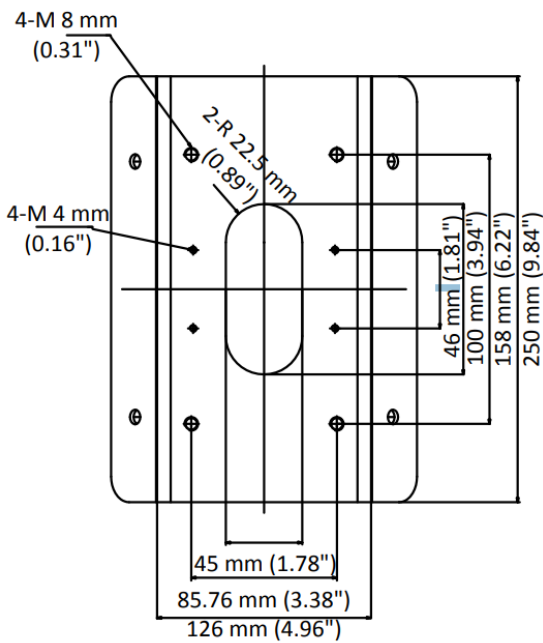
# WM20

Corner mount for BL/FD-2002-series and BL/FD-2005 cameras



## Technical specifications

Material	Stainless Steel
Colour	RAL 9003 (signal white)
Dimensions (H x W x D)	250 mm x 126 mm x 105 mm (9.84" x 4.96" x 4.13")
Weight	2280 g (5.03 lb.)



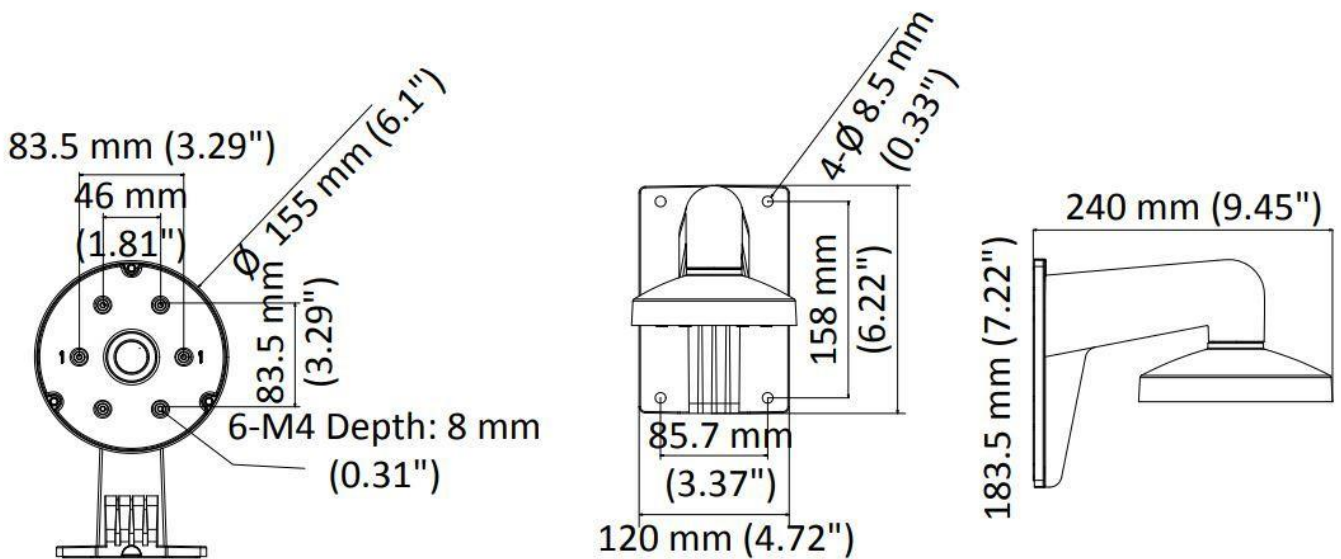
# WM21

Wall mount for FD2002M1 and FD2005M1



## Technical specifications

Material	Aluminum Alloy
Colour	RAL 9003 (signal white)
Dimensions (H x W x D)	Ø 155 mm x 183.5 mm x 240 mm (6.1" x 7.22" x 9.45")
Weight	650 g (1.4 lb.)



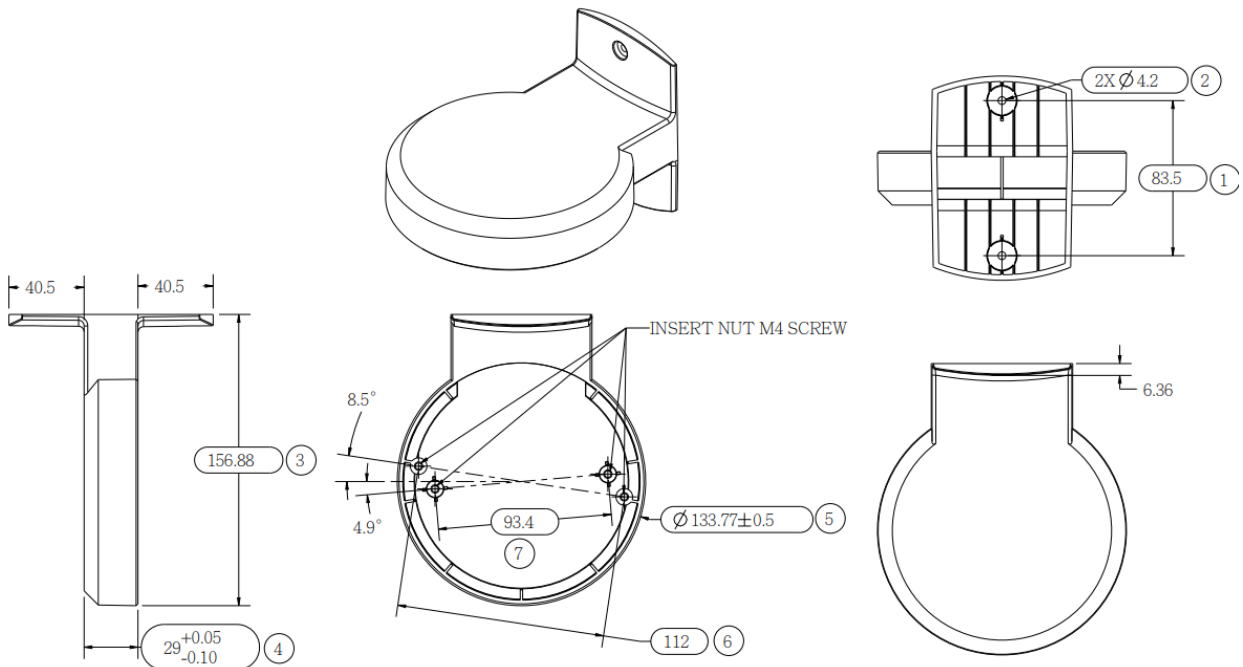
# WM22

Wall mount for FD360v2, FD910 and FD980



## Technical specifications

Material	Plastic
Colour	RAL 9003 (signal white)
Dimensions (H x W x D)	110 x 157 x Ø134 mm (4.3 x 6.2 x Ø5.3 in)
Weight	330 g (0.73 lb.)



Unit: mm