

584503-W

Wireless 3V ShatterPro II with "Pattern Recognition Technology" 360' 7.5m radius range



# 584503-W

## Wireless 3V ShatterPro II with "Pattern Recognition Technology" 360' 7.5m radius range

### Technical specifications

---

#### General

Technology	Acoustic
Glass types	Laminated, Plate, Tempered, Wired
Range	6m radius
Tamper switch	Yes

#### Wired / wireless

Wired-wireless	Wireless
----------------	----------

#### Electrical

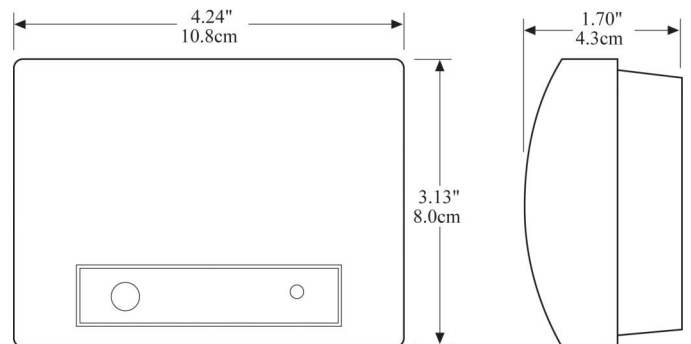
Operating voltage	2.8 to 4.5 VDC
Power supply value	2.8 to 4.5 VDC
Power consumption	17 $\mu$ A typical
Current consumption	17 $\mu$ A typical

#### Physical

Physical dimensions	108 x 80 x 43 mm
Colour	White
Mounting type	Surface mount

#### Environmental

Operating temperature	-10° to +50° C
-----------------------	----------------



As a company of innovation, Carrier Fire & Security reserves the right to change product specifications without notice. For the latest product specifications, visit [firesecurityproducts.com](http://firesecurityproducts.com) online or contact your sales representative.

Last updated on 5 May 2023 - 9:33