



QUAD Plus

**Analogue/Digital Input Module
for Motion Sensors, Temperature Probes and Binary Inputs**

ZNIO-QUADP

Application program version: [1.6]

User manual edition: [1.6]_a

www.zennio.com

CONTENTS

Contents	2
Document Updates	3
1 Introduction	4
1.1 QUAD Plus	4
1.2 Installation.....	4
2 Configuration.....	6
2.1 General.....	6
ETS Parameterisation.....	6
2.2 Inputs	7
2.2.1 Binary Input.....	7
2.2.2 Temperature Probe.....	7
2.2.3 Motion Detector	7
2.3 Thermostats	8
ANNEX I. Communication Objects.....	9

DOCUMENT UPDATES

Version	Changes	Page(s)
[1.6]_a	Changes in the application program: <ul style="list-style-type: none">• Optimisation of the thermostat and motion detector modules.	-
[1.5]_a	Changes in the application program: <ul style="list-style-type: none">• Minor corrections.	-
[1.3]_a	Changes in the application program: <ul style="list-style-type: none">• Optimisation of the temperature probe module.	-
[1.2]_a	Changes in the application program: <ul style="list-style-type: none">• Optimisation of the binary inputs, thermostat and motion detector modules.	-

1 INTRODUCTION

1.1 QUAD PLUS

QUAD Plus is an updated, small-size version of the popular QUAD from Zennio. This module incorporates four digital / analogue separate inputs, each configurable as:

- **Binary Input.**
- **Temperature probe**, either models provided by Zennio or other NTC temperature probes from other suppliers, being in that case possible to configure their parameters in ETS.
- **Motion detector.**

Moreover, QUAD Plus implements **four independent thermostats**, which can be enabled and configured separately, as well as the **Heartbeat** function or periodical “still-alive” notification.

1.2 INSTALLATION

QUAD is connected to the KNX bus through the incorporated terminal connector, while the input lines need to be connected to QUAD Plus through the screw terminal block bundled in the device packaging. Once powered through the KNX bus, the device may be downloaded both an individual address or the application program.

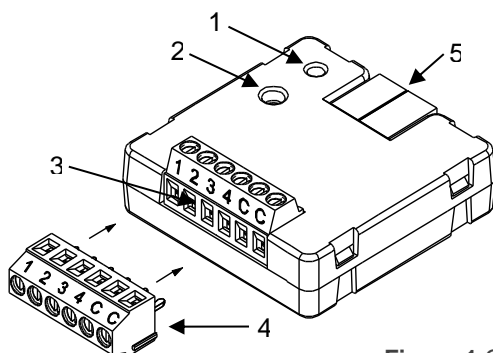


Figure 1 QUAD Plus. Element diagram.

- 1.- Prog./Test LED.
- 2.- Prog./Test button.
- 3.- Inputs.
- 4.- Optional connector.
- 5.- KNX bus connector.

The main elements are described next:

- **Prog./Test Button (2)**: a short press on this button sets the device into the programming mode, making the associated LED (2) light in red. If this button is held at the same time of applying bus power to the device, the device will enter the Safe Mode. In such case, the LED will intermit in red.
- **Slots for the Input Lines (3)**: slots for the insertion of the optional inputs terminal block (4). Alternatively, the stripped cables of the input lines can be directly screwed into the slots. Each accessory should be connected to one of the slots labelled 1 to 4 and, on the other hand, to any of the common slots, labelled as “C”.

To obtain further information about the technical features of QUAD Plus and on security and installation procedures, please refer to the **Datasheet** of the device, bundled with the original packaging and also available at the Zennio website, <http://www.zennio.com>.

2 CONFIGURATION

2.1 GENERAL

After importing the corresponding database in ETS and adding the device into the topology of the desired project, the configuration process begins by entering the Parameters tab of the device.

ETS PARAMETERISATION

The only parameterisable screen available by default is General. From this screen it is possible to activate/deactivate all the required functionality.

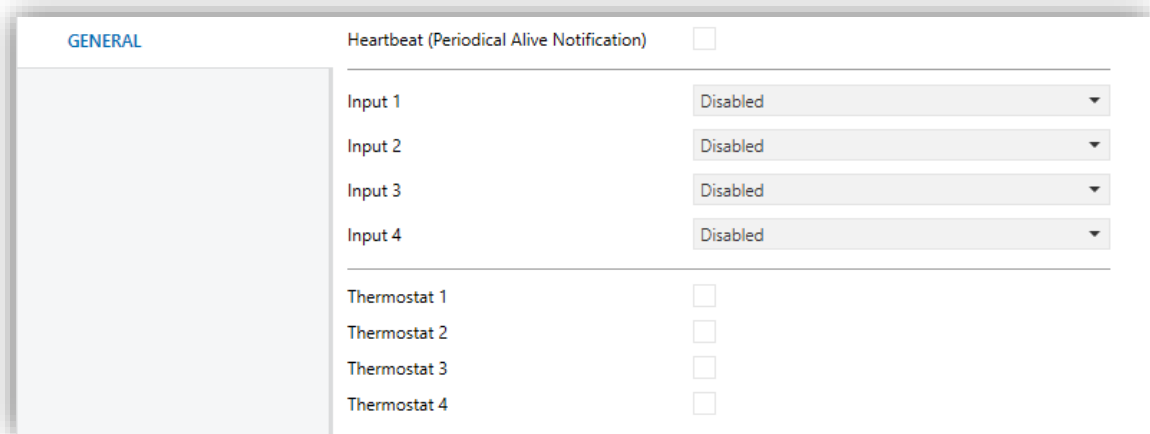


Figure 2 General.

- **Heartbeat (Periodical Alive Notification):** this parameter lets the integrator incorporate a 1-Bit object to the project (“**[Heartbeat] Object to Send ‘1’**”) that will be sent periodically with value “1” to notify that the device is still working (*still alive*).

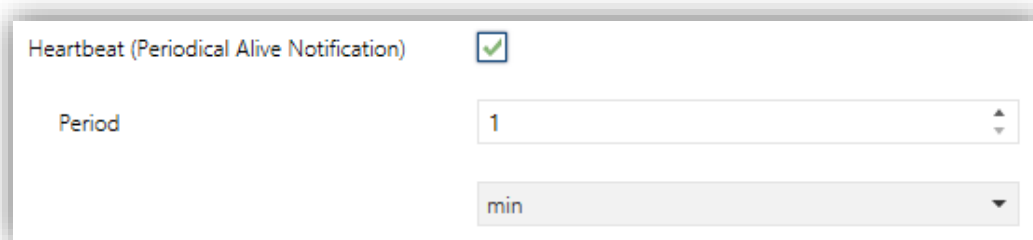


Figure 3 General.

Note: *The first sending after download or bus failure takes place with a delay of up to 255 seconds, to prevent bus overload. The following sendings match the period set*

- **Input x:** sets the type of input number “x”: “Binary Input”, “Temperature Probe” or “Motion Detector”. If such input is not required, it can be left as “Disabled”.
- **Thermostat x:** enables or disables thermostat number “x”.

One entry per input or thermostat will be included into the tab tree on the left.

2.2 INPUTS

QUAD Plus incorporates **four analogue/digital inputs**, each configurable as a:

- **Binary input**, for the connection of a pushbutton or a switch/sensor.
- **Temperature probe**, to connect a temperature sensor from Zennio or NTC probes from third parties (the latter requires configuring their parameters in ETS).
- **Motion detector**, to connect a motion detector from Zennio.

2.2.1 BINARY INPUT

Please refer to the specific user manual “**Binary Inputs**”, available in the QUAD Plus product section at the Zennio website, <http://www.zennio.com>.

2.2.2 TEMPERATURE PROBE

Please refer to the specific user manual “**Temperature Probe**”, available in the QUAD Plus product section at the Zennio website, <http://www.zennio.com>.

2.2.3 MOTION DETECTOR

It is possible to connect motion detectors from Zennio to the input ports of QUAD Plus. This brings the device with the possibility of monitoring motion and presence in the

room, as well as the light level. Depending on the detection, different response actions can be parameterised.

Please refer to the “**Motion Detector**” user manual, available under the QUAD Plus product section at the Zennio website (www.zennio.com), for detailed information about the functionality and the configuration of the related parameters.

Notes:

- *The ZN110-DETEC-P motion detector is compatible with a variety of Zennio devices. However, depending on the device it is actually being connected to, the functionality may differ slightly. Therefore, please refer specifically to the aforementioned user manual.*
- *When connected to QUAD Plus, the rear micro-switch of model ZN110-DETEC-P should be set to position “**Type B**”.*

2.3 THERMOSTATS

QUAD Plus allows independently enabling and configuring **up to four thermostat** functions, with independence of the number of the inputs that have been configured.

Please refer to the specific “**Zennio Thermostat**” user manual available under the QUAD Plus product section at the Zennio homepage (www.zennio.com) for detailed information about the functionality and the configuration of the related parameters.

ANNEX I. COMMUNICATION OBJECTS

- “Functional range” shows the values that, with independence of any other values permitted by the bus according to the object size, may be of any use or have a particular meaning because of the specifications or restrictions from both the KNX standard or the application program itself.

Number	Size	I/O	Flags	Data type (DPT)	Functional Range	Name	Function
1	1 Bit		C T - - -	DPT_Trigger	0/1	[Heartbeat] Object to Send '1'	Sending of '1' Periodically
2	1 Byte	I	C - - W -	DPT_SceneControl	0-63; 128-191	[Thermostat] Scene Input	Scene Value
3, 33, 63, 93	2 Bytes	I	C - - W -	DPT_Value_Temp	-273.00° - 670760.00°	[Tx] Temperature Source 1	External Sensor Temperature
4, 34, 64, 94	2 Bytes	I	C - - W -	DPT_Value_Temp	-273.00° - 670760.00°	[Tx] Temperature Source 2	External Sensor Temperature
5, 35, 65, 95	2 Bytes	O	C T R - -	DPT_Value_Temp	-273.00° - 670760.00°	[Tx] Effective Temperature	Effective Control Temperature
6, 36, 66, 96	1 Byte	I	C - - W -	DPT_HVACMode	1=Comfort 2=Standby 3=Economy 4=Building Protection	[Tx] Special Mode	1-byte HVAC Mode
7, 37, 67, 97	1 Bit	I	C - - W -	DPT_Ack	0/1	[Tx] Special Mode: Comfort	0 = Nothing; 1 = Trigger
	1 Bit	I	C - - W -	DPT_Switch	0/1	[Tx] Special Mode: Comfort	0 = Off; 1 = On
8, 38, 68, 98	1 Bit	I	C - - W -	DPT_Ack	0/1	[Tx] Special Mode: Standby	0 = Nothing; 1 = Trigger
	1 Bit	I	C - - W -	DPT_Switch	0/1	[Tx] Special Mode: Standby	0 = Off; 1 = On
9, 39, 69, 99	1 Bit	I	C - - W -	DPT_Ack	0/1	[Tx] Special Mode: Economy	0 = Nothing; 1 = Trigger
	1 Bit	I	C - - W -	DPT_Switch	0/1	[Tx] Special Mode: Economy	0 = Off; 1 = On
10, 40, 70, 100	1 Bit	I	C - - W -	DPT_Ack	0/1	[Tx] Special Mode: Protection	0 = Nothing; 1 = Trigger
	1 Bit	I	C - - W -	DPT_Switch	0/1	[Tx] Special Mode: Protection	0 = Off; 1 = On
11, 41, 71, 101	1 Bit	I	C - - W -	DPT_Window_Door	0/1	[Tx] Window Status (Input)	0 = Closed; 1 = Open
12, 42, 72, 102	1 Bit	I	C - - W -	DPT_Ack	0/1	[Tx] Comfort Prolongation	0 = Nothing; 1 = Timed Comfort
13, 43, 73, 103	1 Byte	O	C T R - -	DPT_HVACMode	1=Comfort 2=Standby 3=Economy 4=Building Protection	[Tx] Special Mode Status	1-byte HVAC Mode
14, 44, 74, 104	2 Bytes	I	C - - W -	DPT_Value_Temp	-273.00° - 670760.00°	[Tx] Setpoint	Thermostat Setpoint Input
	2 Bytes	I	C - - W -	DPT_Value_Temp	-273.00° - 670760.00°	[Tx] Basic Setpoint	Reference Setpoint
15, 45, 75, 105	1 Bit	I	C - - W -	DPT_Step	0/1	[Tx] Setpoint Step	0 = -0.5°C; 1 = +0.5°C
16, 46, 76, 106	2 Bytes	I	C - - W -	DPT_Value_Tempd	-670760.00° - 670760.00°	[Tx] Setpoint Offset	Float Offset Value

17, 47, 77, 107	2 Bytes	O	CTR--	DPT_Value_Temp	-273.00° - 670760.00°	[Tx] Setpoint Status	Current Setpoint
18, 48, 78, 108	2 Bytes	O	CTR--	DPT_Value_Temp	-273.00° - 670760.00°	[Tx] Basic Setpoint Status	Current Basic Setpoint
19, 49, 79, 109	2 Bytes	O	CTR--	DPT_Value_Tempd	-670760.00° - 670760.00°	[Tx] Setpoint Offset Status	Current Setpoint Offset
20, 50, 80, 110	1 Bit	I	C--W-	DPT_Reset	0/1	[Tx] Setpoint Reset	Reset Setpoint to Default
	1 Bit	I	C--W-	DPT_Reset	0/1	[Tx] Offset Reset	Reset offset
21, 51, 81, 111	1 Bit	I	C--W-	DPT_Heat_Cool	0/1	[Tx] Mode	0 = Cool; 1 = Heat
22, 52, 82, 112	1 Bit	O	CTR--	DPT_Heat_Cool	0/1	[Tx] Mode Status	0 = Cool; 1 = Heat
23, 53, 83, 113	1 Bit	I	C--W-	DPT_Switch	0/1	[Tx] On/Off	0 = Off; 1 = On
24, 54, 84, 114	1 Bit	O	CTR--	DPT_Switch	0/1	[Tx] On/Off Status	0 = Off; 1 = On
25, 55, 85, 115	1 Byte	O	CTR--	DPT_Scaling	0% - 100%	[Tx] Control Variable (Cool)	PI Control (Continuous)
26, 56, 86, 116	1 Byte	O	CTR--	DPT_Scaling	0% - 100%	[Tx] Control Variable (Heat)	PI Control (Continuous)
27, 57, 87, 117	1 Bit	O	CTR--	DPT_Switch	0/1	[Tx] Control Variable (Cool)	2-Point Control
	1 Bit	O	CTR--	DPT_Switch	0/1	[Tx] Control Variable (Cool)	PI Control (PWM)
28, 58, 88, 118	1 Bit	O	CTR--	DPT_Switch	0/1	[Tx] Control Variable (Heat)	2-Point Control
	1 Bit	O	CTR--	DPT_Switch	0/1	[Tx] Control Variable (Heat)	PI Control (PWM)
29, 59, 89, 119	1 Bit	O	CTR--	DPT_Switch	0/1	[Tx] Additional Cool	Temp >= (Setpoint+Band) => "1"
30, 60, 90, 120	1 Bit	O	CTR--	DPT_Switch	0/1	[Tx] Additional Heat	Temp <= (Setpoint-Band) => "1"
31, 61, 91, 121	1 Bit	O	CTR--	DPT_Switch	0/1	[Tx] PI State (Cool)	0 = PI signal 0%; 1 = PI signal greater than 0%
32, 62, 92, 122	1 Bit	O	CTR--	DPT_Switch	0/1	[Tx] PI State (Heat)	0 = PI signal 0%; 1 = PI signal greater than 0%
123, 127, 131, 135	2 Bytes	O	CTR--	DPT_Value_Temp	-273.00° - 670760.00°	[Ix] Current Temperature	Temperature Sensor Value
124, 128, 132, 136	1 Bit	O	CTR--	DPT_Alarm	0/1	[Ix] Overcooling	0 = No Alarm; 1 = Alarm
125, 129, 133, 137	1 Bit	O	CTR--	DPT_Alarm	0/1	[Ix] Overheating	0 = No Alarm; 1 = Alarm
126, 130, 134, 138	1 Bit	O	CTR--	DPT_Alarm	0/1	[Ix] Probe Error	0 = No Alarm; 1 = Alarm
139, 145, 151, 157	1 Bit	I	C--W-	DPT_Enable	0/1	[Ix] Input Lock	0 = Unlock; 1 = Lock
140, 146, 152, 158	1 Bit		CT---	DPT_Switch	0/1	[Ix] [Short Press] 0	Sending of 0
	1 Bit		CT---	DPT_Switch	0/1	[Ix] [Short Press] 1	Sending of 1
	1 Bit	I	CT-W-	DPT_Switch	0/1	[Ix] [Short Press] 0/1 Switching	Switching 0/1
	1 Bit		CT---	DPT_UpDown	0/1	[Ix] [Short Press] Move Up Shutter	Sending of 0 (Up)
	1 Bit		CT---	DPT_UpDown	0/1	[Ix] [Short Press] Move Down Shutter	Sending of 1 (Down)
	1 Bit		CT---	DPT_UpDown	0/1	[Ix] [Short Press] Move Up/Down Shutter	Switching 0/1 (Up/Down)
	1 Bit		CT---	DPT_Step	0/1	[Ix] [Short Press] Stop/Step Up Shutter	Sending of 0 (Stop/Step Up)
	1 Bit		CT---	DPT_Step	0/1	[Ix] [Short Press] Stop/Step Down Shutter	Sending of 1 (Stop/Step Down)

1 Bit		CT---	DPT_Step	0/1	[Ix] [Short Press] Stop/Step Shutter (Switched)	Switching of 0/1 (Stop/Step Up/Down)
4 Bit		CT---	DPT_Control_Dimming	0x0 (Stop) 0x1 (Dec. by 100%) 0x2 (Dec. by 50%) 0x3 (Dec. by 25%) 0x4 (Dec. by 12%) 0x5 (Dec. by 6%) 0x6 (Dec. by 3%) 0x7 (Dec. by 1%) 0x8 (Stop) 0x9 (Inc. by 100%) 0xA (Inc. by 50%) 0xB (Inc. by 25%) 0xC (Inc. by 12%) 0xD (Inc. by 6%) 0xE (Inc. by 3%) 0xF (Inc. by 1%)	[Ix] [Short Press] Brighter	Increase Brightness
4 Bit		CT---	DPT_Control_Dimming	0x0 (Stop) 0x1 (Dec. by 100%) ... 0x8 (Stop) 0x9 (Inc. by 100%) ... 0xF (Inc. by 1%)	[Ix] [Short Press] Darker	Decrease Brightness
4 Bit		CT---	DPT_Control_Dimming	0x0 (Stop) 0x1 (Dec. by 100%) ... 0x8 (Stop) 0x9 (Inc. by 100%) ... 0xF (Inc. by 1%)	[Ix] [Short Press] Brighter/Darker	Switch Bright/Dark
1 Bit		CT---	DPT_Switch	0/1	[Ix] [Short Press] Light On	Sending of 1 (On)
1 Bit		CT---	DPT_Switch	0/1	[Ix] [Short Press] Light Off	Sending of 0 (Off)
1 Bit	I	CT-W-	DPT_Switch	0/1	[Ix] [Short Press] Light On/Off	Switching 0/1
1 Byte		CT---	DPT_SceneControl	0-63; 128-191	[Ix] [Short Press] Run Scene	Sending of 0 - 63
1 Byte		CT---	DPT_SceneControl	0-63; 128-191	[Ix] [Short Press] Save Scene	Sending of 128 - 191
1 Bit	I/O	CTRW-	DPT_Switch	0/1	[Ix] [Switch/Sensor] Edge	Sending of 0 or 1
1 Byte		CT---	DPT_Value_1_Ucount	0 - 255	[Ix] [Short Press] Constant Value (Integer)	0 - 255
1 Byte		CT---	DPT_Scaling	0% - 100%	[Ix] [Short Press] Constant Value (Percentage)	0% - 100%
2 Bytes		CT---	DPT_Value_2_Ucount	0 - 65535	[Ix] [Short Press] Constant Value	0 - 65535

						(Integer)	
	2 Bytes		CT---	9.xxx	-671088.64 - 670760.96	[Ix] [Short Press] Constant Value (Float)	Float Value
141, 150, 156, 162	1 Byte	I	C--W-	DPT_Scaling	0% - 100%	[Ix] [Long Press] Dimming Status (Input)	0% - 100%
	1 Byte	I	C--W-	DPT_Scaling	0% - 100%	[Ix] [Long Press] Shutter Status (Input)	0% = Top; 100% = Bottom
	1 Bit		CT---	DPT_Switch	0/1	[Ix] [Long Press] 0	Sending of 0
	1 Bit		CT---	DPT_Switch	0/1	[Ix] [Long Press] 1	Sending of 1
	1 Bit	I	CT-W-	DPT_Switch	0/1	[Ix] [Long Press] 0/1 Switching	Switching 0/1
	1 Bit		CT---	DPT_UpDown	0/1	[Ix] [Long Press] Move Up Shutter	Sending of 0 (Up)
	1 Bit		CT---	DPT_UpDown	0/1	[Ix] [Long Press] Move Down Shutter	Sending of 1 (Down)
	1 Bit		CT---	DPT_UpDown	0/1	[Ix] [Long Press] Move Up/Down Shutter	Switching 0/1 (Up/Down)
	1 Bit		CT---	DPT_Step	0/1	[Ix] [Long Press] Stop/Step Up Shutter	Sending of 0 (Stop/Step Up)
	1 Bit		CT---	DPT_Step	0/1	[Ix] [Long Press] Stop/Step Down Shutter	Sending of 1 (Stop/Step Down)
	1 Bit		CT---	DPT_Step	0/1	[Ix] [Long Press] Stop/Step Shutter (Switched)	Switching of 0/1 (Stop/Step Up/Down)
142, 148, 154, 160	4 Bit		CT---	DPT_Control_Dimming	0x0 (Stop) 0x1 (Dec. by 100%) ... 0x8 (Stop) 0x9 (Inc. by 100%) ... 0xF (Inc. by 1%)	[Ix] [Long Press] Brighter	Long Pr. -> Brighter; Release -> Stop
	4 Bit		CT---	DPT_Control_Dimming	0x0 (Stop) 0x1 (Dec. by 100%) ... 0x8 (Stop) 0x9 (Inc. by 100%) ... 0xF (Inc. by 1%)	[Ix] [Long Press] Darker	Long Pr. -> Darker; Release -> Stop
	4 Bit		CT---	DPT_Control_Dimming	0x0 (Stop) 0x1 (Dec. by 100%) ... 0x8 (Stop) 0x9 (Inc. by 100%) ... 0xF (Inc. by 1%)	[Ix] [Long Press] Brighter/Darker	Long Pr. -> Brighter/Darker; Release -> Stop
	1 Bit		CT---	DPT_Switch	0/1	[Ix] [Long Press] Light On	Sending of 1 (On)
	1 Bit		CT---	DPT_Switch	0/1	[Ix] [Long Press] Light Off	Sending of 0 (Off)

	1 Bit	I	CT-W-	DPT_Switch	0/1	[Ix] [Long Press] Light On/Off	Switching 0/1
	1 Byte		CT---	DPT_SceneControl	0-63; 128-191	[Ix] [Long Press] Run Scene	Sending of 0 - 63
	1 Byte		CT---	DPT_SceneControl	0-63; 128-191	[Ix] [Long Press] Save Scene	Sending of 128 - 191
	1 Bit	O	CTR--	DPT_Alarm	0/1	[Ix] [Switch/Sensor] Alarm: Breakdown or Sabotage	1 = Alarm; 0 = No Alarm
	2 Bytes		CT---	9.xxx	-671088.64 - 670760.96	[Ix] [Long Press] Constant Value (Float)	Float Value
	2 Bytes		CT---	DPT_Value_2_Ucount	0 - 65535	[Ix] [Long Press] Constant Value (Integer)	0 - 65535
	1 Byte		CT---	DPT_Scaling	0% - 100%	[Ix] [Long Press] Constant Value (Percentage)	0% - 100%
	1 Byte		CT---	DPT_Value_1_Ucount	0 - 255	[Ix] [Long Press] Constant Value (Integer)	0 - 255
143, 149, 155, 161	1 Bit		CT---	DPT_Trigger	0/1	[Ix] [Long Press/Release] Stop Shutter	Release -> Stop Shutter
144, 147, 153, 159	1 Byte	I	C--W-	DPT_Scaling	0% - 100%	[Ix] [Short Press] Shutter Status (Input)	0% = Top; 100% = Bottom
	1 Byte	I	C--W-	DPT_Scaling	0% - 100%	[Ix] [Short Press] Dimming Status (Input)	0% - 100%
163	1 Byte	I	C--W-	DPT_SceneNumber		[Motion Detector] Scene Input	Scene Value
164	1 Byte		CT---	DPT_SceneControl	0-63; 128-191	[Motion Detector] Scene Output	Scene Value
165, 194, 223, 252	1 Byte	O	CTR--	DPT_Scaling	0% - 100%	[Ix] Luminosity	0-100%
166, 195, 224, 253	1 Bit	O	CTR--	DPT_Alarm	0/1	[Ix] Open Circuit Error	0 = No Error; 1 = Open Circuit Error
167, 196, 225, 254	1 Bit	O	CTR--	DPT_Alarm	0/1	[Ix] Short Circuit Error	0 = No Error; 1 = Short Circuit Error
168, 197, 226, 255	1 Byte	O	CTR--	DPT_Scaling	0% - 100%	[Ix] Presence State (Scaling)	0-100%
169, 198, 227, 256	1 Byte	O	CTR--	DPT_HVACMode	1=Comfort 2=Standby 3=Economy 4=Building Protection	[Ix] Presence State (HVAC)	Auto, Comfort, Standby, Economy, Building Protection
170, 199, 228, 257	1 Bit	O	CTR--	DPT_Occupancy	0/1	[Ix] Presence State (Binary)	Binary Value
	1 Bit	O	CTR--	DPT_Ack	0/1	[Ix] Presence: Slave Output	1 = Motion Detected
171, 200, 229, 258	1 Bit	I	C--W-	DPT_Window_Door	0/1	[Ix] Presence Trigger	Binary Value to Trigger the Presence Detection
172, 201, 230, 259	1 Bit	I	C--W-	DPT_Ack	0/1	[Ix] Presence: Slave Input	0 = Nothing; 1 = Detection from slave device
173, 202, 231, 260	2 Bytes	I	C--W-	DPT_TimePeriodSec		[Ix] Presence: Waiting Time	0-65535 s.
174, 203, 232, 261	2 Bytes	I	C--W-	DPT_TimePeriodSec		[Ix] Presence: Listening Time	1-65535 s.
175, 204, 233, 262	1 Bit	I	C--W-	DPT_Enable	0/1	[Ix] Presence: Enable	According to parameters
176, 205, 234, 263	1 Bit	I	C--W-			[Ix] Presence: Day/Night	According to parameters
177, 206, 235, 264	1 Bit	O	CTR--	DPT_Occupancy	0/1	[Ix] Presence: Occupancy State	0 = Not Occupied; 1 = Occupied
178, 207, 236, 265	1 Bit	I	C--W-	DPT_Ack	0/1	[Ix] External Motion Detection	0 = Nothing; 1 = Motion detected by an

							external sensor
179, 184, 189, 208, 213, 218, 237, 242, 247, 266, 271, 276	1 Byte	O	CTR--	DPT_Scaling	0% - 100%	[Ix] [Cx] Detection State (Scaling)	0-100%
180, 185, 190, 209, 214, 219, 238, 243, 248, 267, 272, 277	1 Byte	O	CTR--	DPT_HVACMode	1=Comfort 2=Standby 3=Economy 4=Building Protection	[Ix] [Cx] Detection State (HVAC)	Auto, Comfort, Standby, Economy, Building Protection
181, 186, 191, 210, 215, 220, 239, 244, 249, 268, 273, 278	1 Bit	O	CTR--	DPT_Switch	0/1	[Ix] [Cx] Detection State (Binary)	Binary Value
182, 187, 192, 211, 216, 221, 240, 245, 250, 269, 274, 279	1 Bit	I	C--W-	DPT_Enable	0/1	[Ix] [Cx] Enable Channel	According to parameters
183, 188, 193, 212, 217, 222, 241, 246, 251, 270, 275, 280	1 Bit	I	C--W-	DPT_Switch	0/1	[Ix] [Cx] Force State	0 = No Detection; 1 = Detection

Join and send us your inquiries
about Zennio devices:

<https://support.zennio.com>

Zennio Avance y Tecnología S.L.
C/ Río Jarama, 132. Nave P-8.11
45007 Toledo (Spain).

Tel. +34 925 232 002

www.zennio.com
info@zennio.com



RoHS